

MIDAS EDC

USER MANUAL
AND CARE INSTRUCTIONS



arms utilizing the MOS and is retained by the included M3x6 screws.

When mounting the Midas EDC, we recommend torquing the mounting screws to 10 in/lbs. Using a medium grade or blue Loctite thread locker is advised, however, do not use permanent or red Loctite. If an adapter plate is required, mount the plate to the fire-arm first, ensuring it sits level to the mounting surface.

*The provided shim must always be placed between the base of the unit and the slide or adapter plate of the firearm.

MIDAS EDC CENTER HEIGHT

0.59 inches

A) EYE RELIEF

The Midas EDC has unlimited eye relief. You can use the sight at any distance you feel comfortable.

B) SIGHTING IN

Bore sighting is a preliminary procedure to achieve proper alignment of the sight with the firearm's bore.

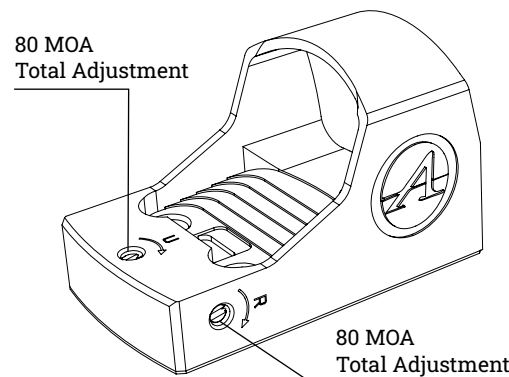
After mounting, an initial sight-in is required. We recommend doing this at a close range of roughly 10 yards before finalizing the adjustments at your desired zero distance.

- i. Fire a 3-5 shot group as accurately as possible at a close-range distance of 10 yards.
- ii. Using this group as a reference, adjust the windage and elevation screws and fire another 3-5 shot confirmation group. Repeat until your point of aim intersects with your point of impact. Confirm your group is centered around the bullseye of the intended target before moving on.

NOTE: Each screw revolution will adjust the sight 55 MOA. Adjust in small increments. Each quarter turn of the screw will move the point of impact approximately 1.5".

- iii. Moving to your final sight-in distance, continue firing 3-5 shot groups and adjusting the optic until your group is centered around the bullseye of the intended target.

IF A LASER BORE SIGHTING OR ANY OTHER SIMILAR DEVICE INSIDE THE BORE WAS USED, IT MUST BE REMOVED BEFORE FIRING. AN OBSTRUCTED BORE CAN CAUSE SERIOUS DAMAGE TO THE GUN AND POSSIBLE INJURY TO THE SHOOTER.

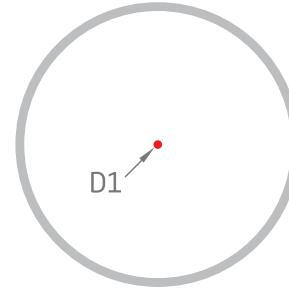


2. RETICLES

The Midas EDC features a 3 MOA red dot with a fixed 1x magnification. This combination is ideally suited to perfectly balance accuracy and fast target/reticle acquisition.

MIDAS EDC RETICLE

D1 = 3 MOA

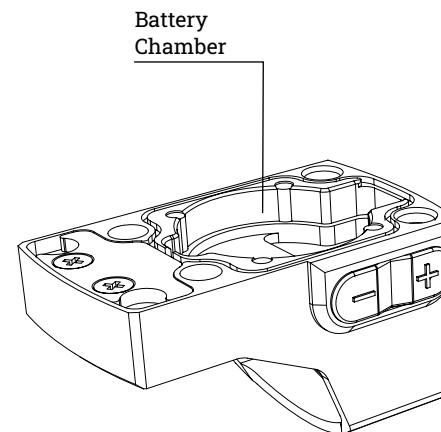


A) ILLUMINATION

The illumination switch on the side of the red dot chassis controls the 10 illumination settings, as well as the ON/OFF function. Press (+) Plus or (-) Minus button to turn the unit ON. Press and hold the (+) Plus button for 3 seconds to turn it OFF. The unit goes into sleep mode after 5 minutes without any motion and turns back on when motion is detected. *The motion detector only works when the unit is powered ON.

The Midas EDC is powered by a CR2032 battery, providing 50,000 hours of constant-on illumination at medium brightness setting.

To remove or change the battery, simply unmount the optic and replace the battery on the bottom of the housing. Insert the battery with the negative (-) side towards the housing. The positive (+) side should be visible on the outside. Remount the optic following the same procedure used in the initial mounting. It is advised to always reconfirm your zero to ensure proper mounting and no further changes were made.



3. MAINTAINING YOUR RED DOT SIGHTS

Disassembling or cleaning the sight internally will void the warranty. If the sight requires repairs, please refer to the warranty section for complete instructions.

The external optical surfaces should occasionally be wiped clean. Use the lens cloth provided or an optical quality lens paper to wipe out dust or dirt on the external lens surface. If large sand particles or heavy dirt contamination is observed, remove using soft brush or by blowing them away. Apply lens cleaning liquid before wiping off. Always keep the protective lens covers in place when the scope is not in use to avoid dust collecting on the surface of the lenses. Store the unit in a low-humidity environment.

For any technical related questions, please contact Athlon Optics at contact@athlonoptics.com or call toll free 1-855-913-5678

4. THE ATHLON GOLD MEDAL LIFETIME WARRANTY*

Demand the most from your equipment. When things go unexpectedly or accidents happen, rest assured, Athlon Optics carry a lifetime transferable warranty. Athlon guarantees to repair or replace your product if damaged through normal use. No charge; No receipt; No Registration required.



**This warranty does not cover damages caused by deliberate damage, misuse, theft or maintenance provided by someone other than the Athlon Authorized Service Department.*

**SHARP, TIGHT
AND PRICED
JUST RIGHT!**

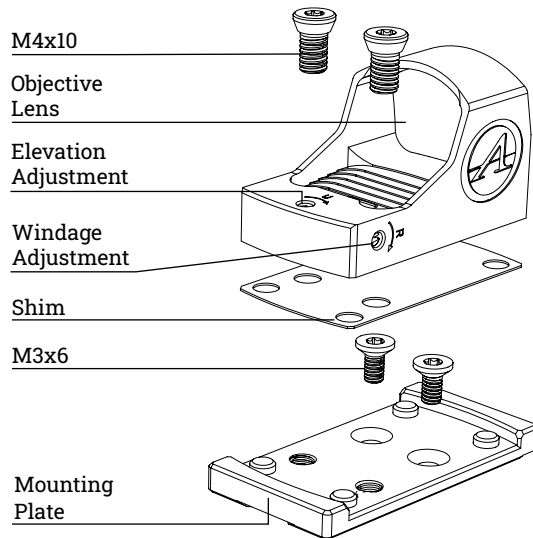
Toll free: 1-855-913-5678

contact@athlonoptics.com

801 N MEADOWBROOK DR,
OLATHE, KS 66062

ATHLONOPTICS.COM

Congratulations on purchasing an Athlon Midas EDC Red Dot Sight. Athlon is the ancient Greek word for "Prize" or "Medal." We think with the purchase of your Athlon product you have won the best "prize" on the market today. Great Quality while still being a great value.



1. MOUNTING YOUR ATHLON RED DOT SIGHT

CAUTION: BEFORE MOUNTING A SIGHTING DEVICE BE SURE THAT THE FIREARM IS NOT LOADED, HAS ACTION OPEN AND THE MUZZLE POINTING IN A SAFE DIRECTION. SAFE FIREARM HANDLING PROCEDURES NEED TO BE PRACTICED AT ALL TIMES.

To achieve the best performance from your firearm and your Athlon Midas EDC, the Midas EDC must be mounted properly. If you are unfamiliar with proper procedures to mount a red dot, we highly recommend to have it mounted by a qualified gunsmith.

The Midas EDC is designed to directly mount to many RMsC slide-cut firearms using the included M4x10 screws, or by utilizing the firearm manufacturer-provided mounting plate and screws suitable for the RMsC footprint. When using Glock MOS pistols, use the M4x10 screws to secure the optic to the provided plate. The mounting plate provided with this optic is compatible only with Glock-brand fire-