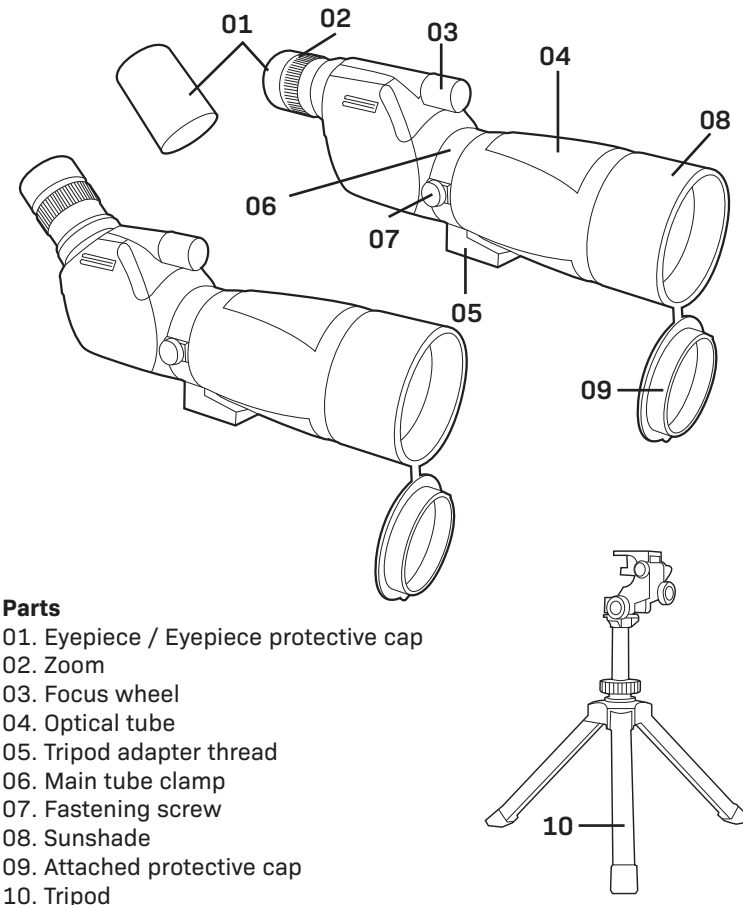
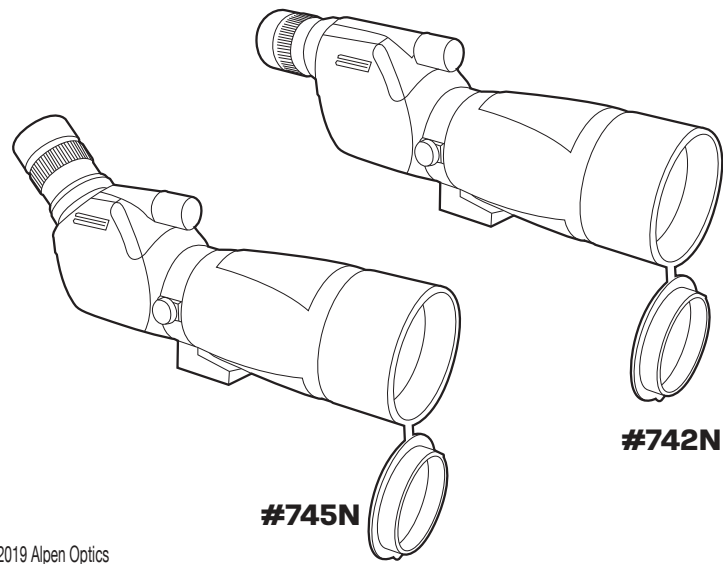




## KODIAK 20-60X60 INSTRUCTIONS



### Parts

- 01. Eyepiece / Eyepiece protective cap
- 02. Zoom
- 03. Focus wheel
- 04. Optical tube
- 05. Tripod adapter thread
- 06. Main tube clamp
- 07. Fastening screw
- 08. Sunshade
- 09. Attached protective cap
- 10. Tripod



### WARNING:

SUN HAZARD – Never look directly at the sun with this device.

### Setting Up the Spotting Scope

Ideally the spotting scope should be on a tripod of suitable load-bearing capacity. Simply screw the tripod onto the bottom of the spotting scope (5) securely. Your Alpen spotting scope can also be attached to any standard tripod with a 1/4-20 thread attachment screw.

**Important:** Remove the protective caps from the main tube and eyepiece. Make sure they are reinserted after every use.

### Controls

- **Focus Knob:** Look into the eyepiece (1) and rotate the focus knob (3) in either direction to focus on an object.
- **Zoom:** Rotate the zoom control (2) to zoom in or out on an object; then use the focus knob (3) to refine the focus.
- **Moving the main tube:** These spotting scopes have a main tube clamp (6) and fastening screw (7). Turn screw (7) counter-clockwise to undo the main tube clamp. You can then turn the entire main tube (4) about its own axis and thus vary the eyepiece (1) position. To fasten the main tube in the desired position turn the fastening screw clockwise.
- **Indoor Viewing vs. Outdoor Viewing:** Although you may casually observe through an open or closed window, the best observing is always done outdoors. Temperature differences between inside and outside air, and the low quality of window glass can blur images through the spotting scope.
- **Sun shield:** Extend the sun shield (8) in strong sunshine affecting visibility. Put your hand around the spotting scope aperture ring and simply push the shield out.

### Terrestrial Observing

When viewing land objects, you will be observing through heat waves on the earth surface. You may have noticed these heat waves while driving down a highway during the summer. Heat waves cause a loss of image quality. If heat waves interfere with your viewing, try focusing at low power to see a steadier, higher quality image.

Observe in early morning hours, before the earth has built up too much internal heat.

### Cleaning and Maintenance

Your spotting scope is a precision optical instrument designed for a lifetime of rewarding viewing. It will rarely, if ever, require factory servicing or maintenance. Follow these guidelines to keep your spotting scope in the best condition:

- Avoid cleaning the spotting scope's lenses. A little dust on the front surface of the spotting scope's correcting lens will not cause loss of image quality.
- When absolutely necessary, dust on the front lens should be removed with very gentle strokes of a camel hair brush or blown off with an ear syringe (available at most pharmacies).
- Fingerprints and organic materials on the front lens may be removed with a solution of 3 parts distilled water to 1 part isopropyl alcohol. You may also add 1 drop of biodegradable dish washing soap per pint of solution. Use soft, white facial tissues and make short, gentle strokes. Change tissues often. **CAUTION: Do not use scented or lotion tissues or damage could result to the optics.**
- Never attempt to disassemble your spotting scope for internal cleaning or self repair. **THIS WILL VOID YOUR WARRANTY.**

**Your Spotting Scope is Waterproof:** That is, it is designed to be used by the sportsperson, boater or casual user in an environment in which exposure to water, such as rain, mist, splashing and so forth, might be a possibility. It is intended to be resistant to accidental exposure to water, but it is not designed for intentional submersion or extended use in water. If your spotting scope is intentionally immersed in water for any significant length of time, you risk voiding the warranty in doing so. Also note that although your spotting scope may be used near a water environment, water on the lens will cause images to be distorted. Wipe off water from the entire device with a soft cloth when you leave the water environment.