



APEX RIFLESCOPE INSTRUCTIONS

#4010

1-6X24

#4012

2.5-15X50

#4015

4.5-27X50



*REGISTERED WITHIN 60 DAYS OF PURCHASE



WARNING:
SUN HAZARD – Never look directly at the sun with this device.



x1 INCLUDED

WARNING:
The lens contains lead that may be harmful. Wash hands after touching.

WARNING:
CHOKING HAZARD – Small parts. Not for children under 3 years.

WARNING:
Contains button or coin cell battery. Hazardous if swallowed – see instructions.

WARNING:
This product can expose you to chemicals including lead, which is known to the State of California to cause cancer. For more information go to www.P65Warnings.ca.gov.

IMPORTANT SAFETY INSTRUCTIONS

READ AND FOLLOW THE INSTRUCTIONS BEFORE USE.
KEEP THESE INSTRUCTIONS FOR LATER USE.



- **SUN WARNING: WARNING: NEVER ATTEMPT TO OBSERVE THE SUN WITH THIS DEVICE! OBSERVING THE SUN – EVEN FOR A MOMENT – WILL CAUSE INSTANT AND IRREVERSIBLE DAMAGE TO YOUR EYE OR EVEN BLINDNESS.** EYE DAMAGE IS OFTEN PAINLESS, SO THERE IS NO WARNING TO THE OBSERVER THAT THE DAMAGE HAS OCCURRED UNTIL IT IS TOO LATE. DO NOT POINT THE DEVICE AT OR NEAR THE SUN. DO NOT LOOK THROUGH THE DEVICE AS IT IS MOVING. CHILDREN SHOULD ALWAYS HAVE ADULT SUPERVISION WHILE OBSERVING.

- **RESPECT PRIVACY:** WHEN USING THIS DEVICE, RESPECT THE PRIVACY OF OTHER PEOPLE. FOR EXAMPLE, DO NOT USE IT TO LOOK INTO PEOPLE'S HOMES.



- **CHOKING HAZARD:** CHILDREN SHOULD ONLY USE DEVICE UNDER ADULT SUPERVISION. KEEP PACKAGING MATERIALS LIKE PLASTIC BAGS AND RUBBER BANDS OUT OF THE REACH OF CHILDREN AS THESE MATERIALS POSE A CHOKING HAZARD.

- **RISK OF BLINDNESS:** NEVER USE THIS DEVICE TO LOOK DIRECTLY AT THE SUN OR IN THE DIRECT PROXIMITY OF THE SUN. DOING SO MAY RESULT IN A PERMANENT LOSS OF VISION.

- **RISK OF FIRE:** DO NOT PLACE DEVICE, PARTICULARLY THE LENSES, IN DIRECT SUNLIGHT. THE CONCENTRATION OF LIGHT RAYS COULD CAUSE A FIRE.

- **DO NOT DISASSEMBLE THIS DEVICE:** IN THE EVENT OF A DEFECT, PLEASE CONTACT YOUR DEALER. THE DEALER WILL CONTACT THE CUSTOMER SERVICE DEPARTMENT AND CAN SEND THE DEVICE IN TO BE REPAIRED IF NECESSARY.

- **DO NOT SUBJECT THE DEVICE TO TEMPERATURES EXCEEDING 60 °C (140 °F).**



- **DISPOSAL:** KEEP PACKAGING MATERIALS, LIKE PLASTIC BAGS AND RUBBER BANDS, AWAY FROM CHILDREN AS THEY POSE A RISK OF SUFFOCATION. DISPOSE OF PACKAGING MATERIALS AS LEGALLY REQUIRED. CONSULT THE LOCAL AUTHORITY ON THE MATTER IF NECESSARY AND RECYCLE MATERIALS WHEN POSSIBLE.



- THE WEEE SYMBOL IF PRESENT INDICATES THAT THIS ITEM CONTAINS ELECTRICAL OR ELECTRONIC COMPONENTS WHICH MUST BE COLLECTED AND DISPOSED OF SEPARATELY.

- NEVER DISPOSE OF ELECTRICAL OR ELECTRONIC WASTE IN GENERAL MUNICIPAL WASTE. COLLECT AND DISPOSE OF SUCH WASTE SEPARATELY.

- MAKE USE OF THE RETURN AND COLLECTION SYSTEMS AVAILABLE TO YOU, OR YOUR LOCAL RECYCLING PROGRAM. CONTACT YOUR LOCAL AUTHORITY OR PLACE OF PURCHASE TO FIND OUT WHAT SCHEMES ARE AVAILABLE.

IMPORTANT SAFETY INSTRUCTIONS

READ AND FOLLOW THE INSTRUCTIONS BEFORE USE.
KEEP THESE INSTRUCTIONS FOR LATER USE.

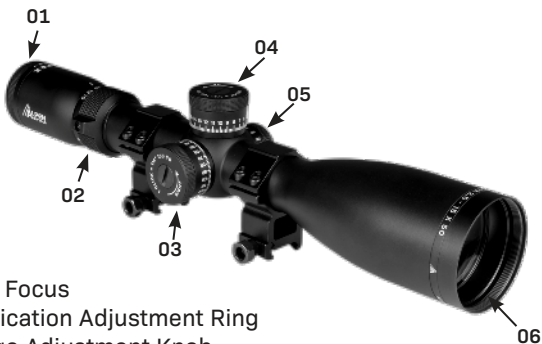
- ELECTRICAL AND ELECTRONIC EQUIPMENT CONTAINS HAZARDOUS SUBSTANCES WHICH, WHEN DISPOSED OF INCORRECTLY, MAY LEAK INTO THE GROUND. THIS CAN CONTRIBUTE TO SOIL AND WATER POLLUTION WHICH IS HAZARDOUS TO HUMAN HEALTH, AND ENDANGER WILDLIFE.
- IT IS ESSENTIAL THAT CONSUMERS LOOK TO RE-USE OR RECYCLE ELECTRICAL OR ELECTRONIC WASTE TO AVOID IT GOING TO LANDFILL SITES OR INCINERATION WITHOUT TREATMENT.

⚠️ BUTTON/COIN BATTERY WARNING: THIS PRODUCT CONTAINS A BUTTON OR COIN CELL BATTERY. A SWALLOWED BUTTON OR COIN CELL BATTERY CAN CAUSE INTERNAL CHEMICAL BURNS IN AS LITTLE AS TWO HOURS AND LEAD TO DEATH. DISPOSE OF USED BATTERIES IMMEDIATELY. KEEP NEW AND USED BATTERIES AWAY FROM CHILDREN. IF YOU THINK BATTERIES MIGHT HAVE BEEN SWALLOWED OR PLACED INSIDE ANY PART OF THE BODY, SEEK IMMEDIATE MEDICAL ATTENTION.

⚠️ FIREARM SAFETY: ALWAYS FOLLOW SAFE PRACTICES WHEN HANDLING, SHOOTING AND STORING FIREARMS. WHEN HANDLING A GUN: TREAT EVERY GUN AS IF IT WERE LOADED. ALWAYS KEEP THE GUN UNLOADED UNTIL READY TO USE. ALWAYS KEEP THE GUN POINTED IN A SAFE DIRECTION. ALWAYS KEEP YOUR FINGER OFF THE TRIGGER UNTIL READY TO SHOOT. ALWAYS BE SURE OF YOUR TARGET AND KNOW WHAT IS BEYOND IT.

Including

Flip Cap and 30mm Picatinny
Mounting Rings



Parts

01. Reticle Focus
02. Magnification Adjustment Ring
03. Windage Adjustment Knob
04. Elevation Adjustment Knob
05. Illumination and Parallax Focus Knobs
06. Objective Lens

RETICLE FOCAL PLANE

Alpen Apex riflescopes have first focal plane reticles, meaning the reticle is located toward the objective lens end of the body tube. When you adjust the magnification, the reticle will visually increase or decrease accordingly and the subtension measurements will stay the same at all magnifications. The reticle will look thicker at high magnifications and thinner at lower powers. First focal plane reticles are an ideal choice for long range shooting.

RETICLE ILLUMINATION *(Model 4010 & Model 4015 only)*

Select Apex riflescopes offer reticle illumination with adjustable intensity to enhance performance in low-light conditions.

Using the illuminator:

To turn on the illuminator, rotate the illumination adjustment knob on the left side of the body tube. To adjust the brightness, rotate the knob.

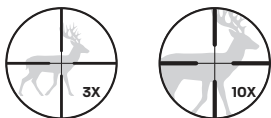
Replacing the battery:

The illuminator operates on a CR 2032 battery located under the cap on the illuminator knob. To replace the battery, unscrew the cap, install the new battery and fully tighten the cap back into position.

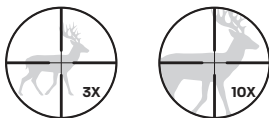


RIFLESCOPE FOCAL PLANE

FIRST FOCAL PLANE



SECOND FOCAL PLANE



RETICLE FOCUS ADJUSTMENT

Before using the riflescope the first time, you will need to check and adjust the reticle focus. The reticle focus ring is located on the eyepiece end.



To adjust the focus

1. Point the riflescope to a blank, bright wall.
2. Relax your eyes and then quickly look through the riflescope.

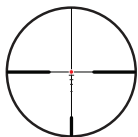
Note: Do not stare at the reticle because your eye will immediately attempt to compensate for any blur and your adjustments will not be accurate.

3. If your quick look through the riflescope revealed a blurry reticle, turn the focus ring slightly in or out without looking through it and then relax your eyes and quickly look through the riflescope again. If the reticle is blurry, repeat this process until it is crisp.

Note: Once you have achieved proper reticle focus, you will not have to repeat this step every time you use the riflescope. You will only need to adjust the focus if your eyesight begins to change.

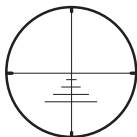
APEX RETICLES

ILLUMINATED
AR-BDC



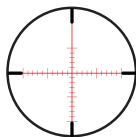
#4010
1-6x24

WBDC-A



#4012
2.5-15x50

ILLUMINATED
WBDC-TACT



#4015
4.5-27x50

MAGNIFICATION ADJUSTMENT

To change the magnification, turn the magnification adjustment ring located near the eyepiece.



MOA ADJUSTMENTS

Apex riflescopes use an MOA (minute-of-angle) subtension scale. At a distance of 100 yards, a minute of angle will subtend 1 inch. Apex riflescopes have $\frac{1}{4}$ click adjustments which means one click moves the markings 0.25 inches at 100 yards, 0.5 inches at 200 yards, 0.75 inches at 300 yards and so on. This means that 4 clicks of the windage and/or elevation knobs on an Apex rifle scope will move a bullet's point-of-impact 1 inch for a target 100 yards away.

WINDAGE AND ELEVATION

Adjusting the point-of-impact involves the windage and elevation turrets. The elevation turret, which is located on top of the rifle scope, moves the reticle vertically. The windage turret, which is located on the right side of the riflescopes, moves the reticle horizontally. At 100 yards, each click of either turret will move the point-of-impact 0.25 inches.



PARALLAX CORRECTION

(Model 4012 and Model 4015 only)

Riflescopes with a side focus feature can correct for parallax, which can cause the reticle to appear to shift on the target if the shooter's eye moves off center. To counter parallax, the reticle and the target need to be on the same focal plane.

To adjust for parallax, turn the side focus knob until the target image is crisp. Move your head around while looking through the eyepiece. If the reticle shifts, turn the side focus knob again and recheck. Repeat this process until the image is steady.



SUNSHADE & HONEYCOMB FILTER

The Apex 4.5-27x50 riflescope (Model 4015) comes with a sunshade and honeycomb filter to reduce sun reflections off the objective lens. To install, thread the honeycomb filter onto the end of the sunshade. Remove the flip-up lens cover on the objective lens end and thread the sunshade into place.



MOUNTING THE SCOPE

Prior to mounting the riflescope, make sure the gun is unloaded and then place the gun in a gun vise or other stabilizing system.

To mount the riflescope:

1. Install the ring bases. (bottom half)
2. Put the riflescope into the rings and position the riflescope to your preferred eye relief. A proper eye relief distance will produce an image that fills the eyepiece and has no black edges.
3. Put the top ring pieces on and level the riflescope. Tighten the ring screws using the included hex wrench.

BORESIGHTING

Boresighting is the process of aligning the riflescope reticle with the center of the gun barrel, which is also known as the bore.

This process is visual and does not require any shooting so the gun should be unloaded.

To boresight:

1. With your riflescope mounted and the gun **unloaded**, remove the bolt from the gun.
2. Place your gun in a gun vise or other stabilizing system and level it.
3. Look through the barrel of the gun toward a bright distant target and reposition the barrel until the target is centered in the view. If using a boresighter, follow the manufacturer's instructions.
4. Once the bore is aligned, look through the riflescope and turn the elevation and windage turrets until the reticle is centered on the same target.

RANGE SIGHT-IN & SETTING ZERO STOP

After boresighting is complete, the final sight-in can be done at a shooting range. Prior to beginning this procedure, make sure you have focused your reticle and adjusted for parallax if applicable. For the best sight-in, it is important to use the same ammunition that you will be shooting with in the field.

1. If you plan on setting the zero stop, unscrew the cap atop the elevation turret to expose the three set screws. Loosen these screws and put the cap back on. Proceed with sighting.



2. At your preferred zero distance, fire a three-shot group at the center of the target. No matter where the bullet holes are in the paper, do not change your point of aim.
3. Check the target and measure from the center of the three shots to the center of the bullseye.
4. Without moving the rifle, adjust the position of the reticle using the windage and elevation adjustment turrets. The number of clicks will be based on the click adjustment measurements and the distance to the target. For example, If you are shooting at a distance of 25 yards and your riflescope has $\frac{1}{4}$ click adjustments you will need 8 clicks to the left on the windage turret and 16 clicks down on elevation to move the point-of-impact 0.5 inches to the left and 1 inch down.
5. Carefully fire another three-shot group at the center of the target. Repeat steps 2 through 4 until the three-shot group is on the bullseye.
6. If you used a shorter starting distance like 25 yards, repeat the process using a target 100 yards away.
7. Remove the elevation cap again. Tighten the three inner set screws and replace the elevation cap being sure to align the "0" mark with the zero reference line. If the zero stop is set correctly, the turret will not rotate in a clockwise direction.

CLEANING

Apex riflescopes are precision optical devices and special care should be taking when wiping debris or spots off the lenses. The use of improper cleaning techniques, tools and/or solutions can cause irreparable damage to your telescope. Only use pure cotton swabs/balls or white, unscented, lotion-free tissues for wiping down optics after you have removed as many particles as possible with forced air or a photographic-grade camel hair brush. In terms of solutions, use a small amount of distilled water and/or an optical glass cleaner, which can be found at most camera stores. DO NOT use optical lens cleaning tissues as many contain fiberglass particles that can be abrasive.



*REGISTERED WITHIN 60 DAYS OF PURCHASE

THANK YOU FOR PURCHASING AN ALPEN® PRODUCT.
PLEASE TAKE A FEW MOMENTS TO REGISTER IT
ONLINE AND FAMILIARIZE YOURSELF WITH THE
APPLICABLE WARRANTY COVERAGE.

[EXPLORESCIENTIFICUSA.COM/PRODUCT-REGISTRATION](https://explorescientificusa.com/product-registration)

SPECIFICATIONS

Model Number	4010	4012	4015
Description	1-6x24 Riflescope	2.5-15x50 Riflescope	4.5-27x50 Riflescope
Magnification	1 - 6x	2.5 - 15x	4.5 - 27x
Objective Lens Diameter	24mm	50mm	50mm
Exit Pupil Low/High	10 - 4mm	11 - 3.3mm	9.5 - 1.9mm
F.O.V. (ft @ 100yds) Low/High	109.6 - 18.9	40.4 - 6.8	22.2 - 3.8
F.O.V. (degrees) Low/High	20.7 - 3.6	7.7 - 1.3	4.2 - 0.7
Diopter	+2 to -2	+2 to -2	+2 to -2
Eye Relief	100mm	100mm	100mm
Lens Coating	Fully Multi-Coated	Fully Multi-Coated	Fully Multi-Coated
Net Weight (lbs.)	1.2	1.9	1.9
Focal Plane	1st	1st	1st
Fast Focusing Eyepiece	Yes	Yes	Yes
Side Focus Parallax	No, fixed at 100yds	Yes, 10yds - ∞	Yes, 25yds - ∞
W/E Click Adjustment	0.25 MOA (1/4)	0.25 MOA (1/4)	0.25 MOA (1/4)
Travel Per Rotation	25 MOA	25 MOA	25 MOA
Elevation & Windage Adjustment Range	+/-60 MOA	+/- 40 MOA	+/- 40 MOA
Reticle(s)	AR-BDC	WBDC-A	WBDC-Tact
Waterproof/ Fogproof	Yes	Yes	Yes
Shockproof	up to 1000 G	up to 1000 G	up to 1000 G
Tube Diameter	30mm	30mm	30mm
Tube Material	6061-T6	6061-T6	6061-T6
Glass Etched Reticle	Yes	Yes	Yes
Reticle Illumination	Yes	No	Yes
Reticle Pattern	AR-BDC	WBDC-A	WBDC-TACT





THANK YOU FOR PURCHASING AN ALPEN® PRODUCT.
PLEASE TAKE A FEW MOMENTS TO REGISTER IT
ONLINE AND FAMILIARIZE YOURSELF WITH THE
APPLICABLE WARRANTY COVERAGE.

[EXPLORESCIENTIFICUSA.COM/PRODUCT-REGISTRATION](https://explorescientificusa.com/product-registration)