



MURPHY DOOR®

Surface Mount French Door



murphydoor.com | 888.458.5911

PLEASE READ INSTRUCTIONS FULLY BEFORE YOU BEGIN ASSEMBLY

Storage

If you are not installing door on receipt keep it standing level on its base or lay it flat. DO NOT lean it against a wall on its edge

Before you start

The doors are heavy, handle with care. You will need to support the entire door when carrying and lifting the door. A minimum of two persons recommended.

Murphy Door can not be responsible for dropped door damage

Verify that you have all parts prior to starting the installation or hiring a contractor.

Finishing

If you are finishing your door with paint or stain, it should be done within 10 days to seal the wood to minimize climate differences. Unfortunately, Murphy Door can not offer a warranty against sagging or warping on unfinished doors.

Use care when applying. Keep pre-drilled holes free of excess paint or stain to make assembly easier.

DO NOT use water-based paints. Commercial grade furniture paints and stains are required.

Always do a sample test with your paint or stain. The sides of the jamb that will be placed against the wall are great places to test, as they will not be seen once the door is installed.

Always follow the paint or stain instructions when applying to your door.

Framing Tips

If using metal studs, replace the included 3" screws with (8) 3" self-tapping screws.

Threshold Tips

For best results install the door on a level surface. DO NOT install the bottom threshold over carpeting. Carpet will affect leveling and prevent proper function of the door.

If you must shim the threshold, it is best to have a shim that is the width of the threshold and runs the entire length of space needed to shim.

Make sure there is nothing along the floor in the movement path of the door that would impede movement such as a flooring transition strip, rug, etc.

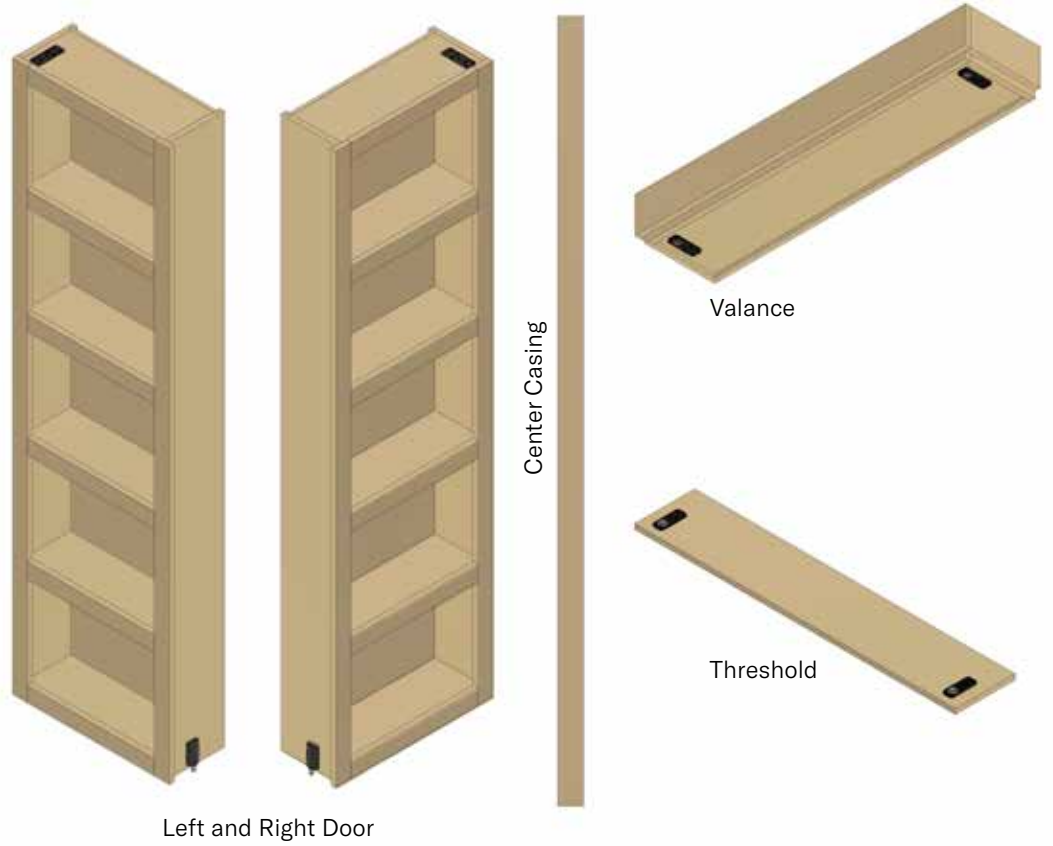
Jamb, Baseboards, and Casing

This installation does not require the existing jamb be removed. Depending on the distance between the existing casing and the outside edge of the door, the existing casing may need to be modified, removed, or replaced. A small section of the baseboard on each side of the doorway on the side the new Surface Mount French Door is being installed will need to be removed.

PLEASE READ INSTRUCTIONS FULLY BEFORE YOU BEGIN ASSEMBLY

Tools Needed

- Drill with Phillips Head Drive
- 3/8" Countersink Bit
- 1/8" Drill Bit
- 36" Level
- Door Shims
- Clamps
- Heavy-Duty Double Side Tape
- Ex. Scotch Permanent Double Sided Extreme Mounting Tape



Poly Wedge
x2



Hinge Pin
x2



Hinge Pin
Removal Tool
x2



3" Lag Screw
x9

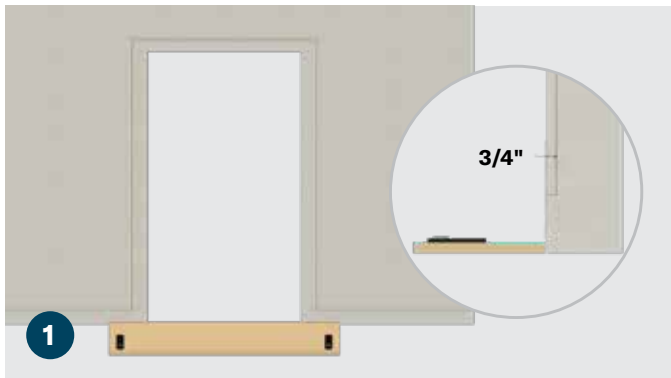


#8 x 1" Wood Screw
x8



#6 x 5/8" Wood Screw
x8

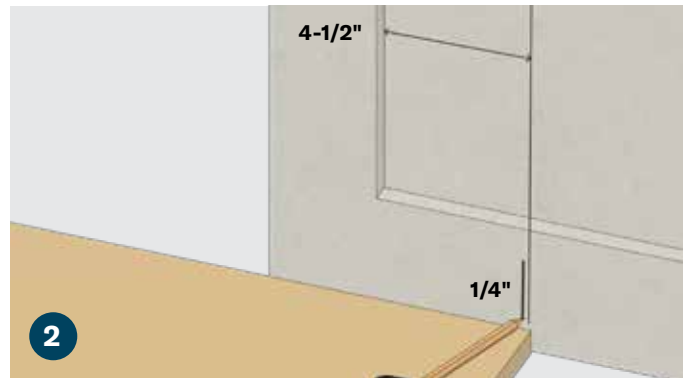
PLEASE READ INSTRUCTIONS FULLY BEFORE YOU BEGIN ASSEMBLY



Center the threshold in front of the doorway with the back edge 3/4" away from the wall*. Make sure the threshold is level.

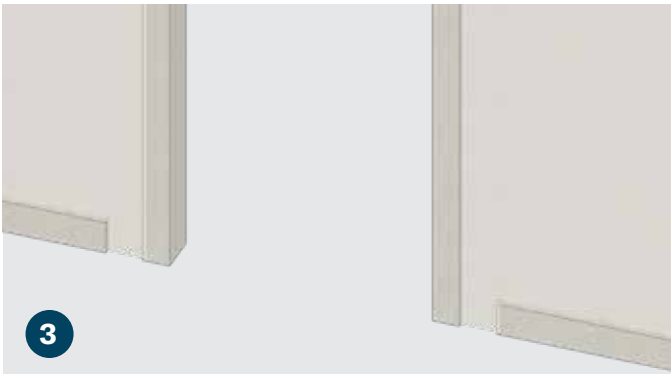
***Do not** measure from the base board. Measuring 3/4" from the base board will put the threshold too far out.

****Note:** The threshold doesn't need to be perfectly centered in front of the doorway. As long as both edges for the threshold are at least 4-1/2" from the outside edge of your casing it will work as designed.



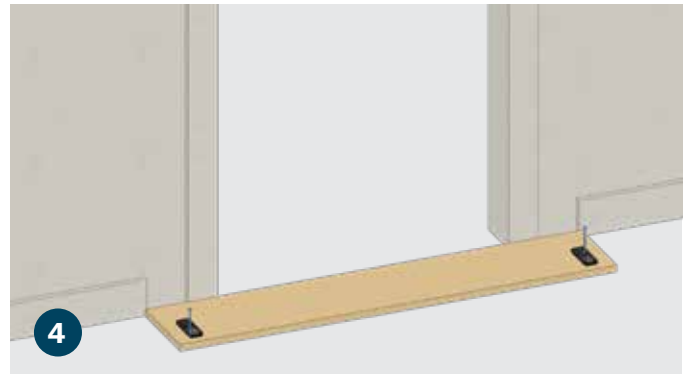
From each end of the threshold measure in 1/4" and mark the base board.

If installing in front of an existing in-swing door, (the door swings in away from the new Surface Mount French Door) the door can be left in place. Out-swing doors will need to be removed. The existing casing may be able to remain in place as long as the outer edge of the casing is at least 4-1/2" in from the outer edge of the threshold. If it is closer than 4-1/2", it will need to be removed.

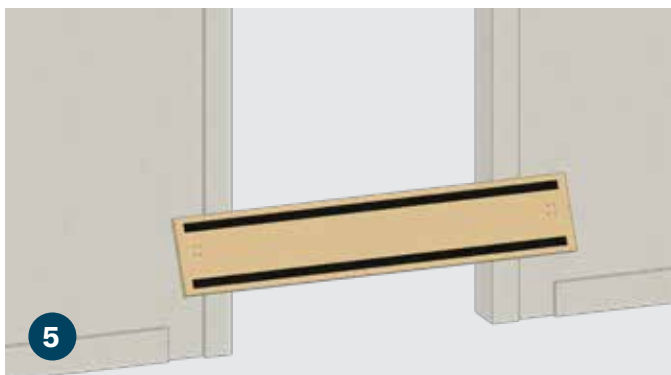


Move the threshold out of the way and cut the base board at the mark you made previously and remove the section between it and the door casing.

Patch and paint any areas of the wall as needed.



Secure the threshold to the floor. If installing on a wood floor or sub-floor, place the threshold back at the location determined in step 1, centered in front of the doorway with the back edge 3/4" away from the wall and use a lag screw through the empty hole on each hinge plate to secure it.



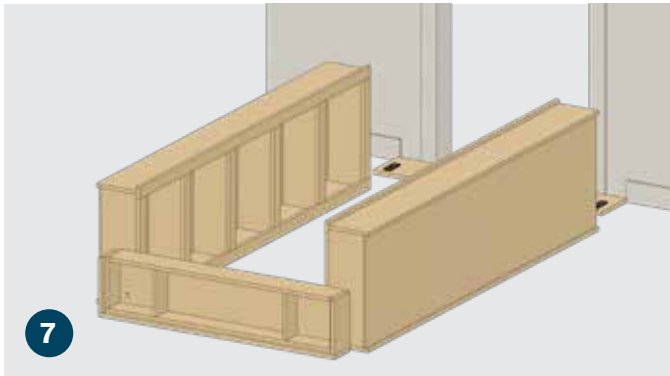
If installing on cement, or some other hard surface, a strong double side tape is recommended.

Apply a strip of heavy-duty double-sided adhesive along the front and back edges of the threshold and place it back at the location determined in step 1, centered in front of the doorway with the back edge 3/4" away from the wall. Firmly press the threshold against the floor.



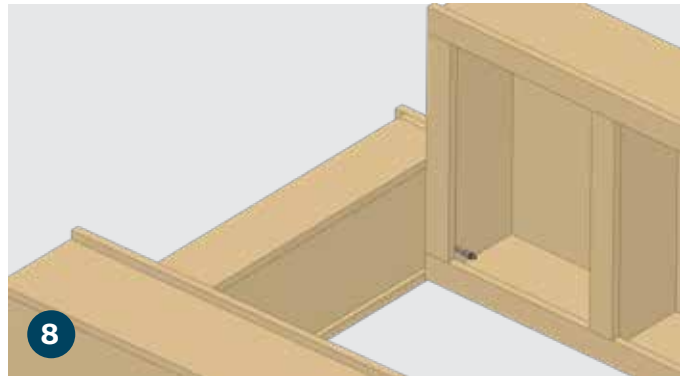
Locate and mark at least two studs above the doorway. The top of the valance will sit approximately 89-1/4" above the floor. Make sure your marked lines will be visible when you are mounting the valance.

PLEASE READ INSTRUCTIONS FULLY BEFORE YOU BEGIN ASSEMBLY



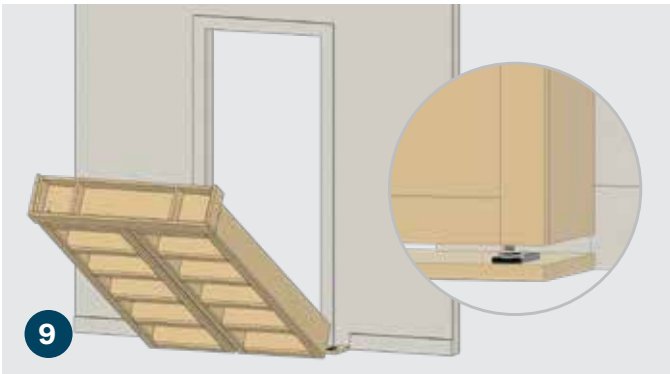
7

Lay a blanket or towels on the floor in front of the threshold to avoid scratching the doors.
Lay both doors on their outer (flat) side in front of the threshold with the doors facing each other.
Lay the valance along the top of the doors with the back edge facing up.



8

Insert the hinge pin for each door through the top and through the hinge plates in the valance.
This may require you to lift the top of the shelf and valance to align the hinge pin holes.



9

Lay both doors on their faces.
With the help of another person, lift both doors and the valance and place the post on the bottom hinge plate of each door into the bearing on the hinge plates on the threshold.



10

Level the doors and valance. Shims can be used temporarily to create the necessary 1/16" gap between the tops of the doors and the valance.



11

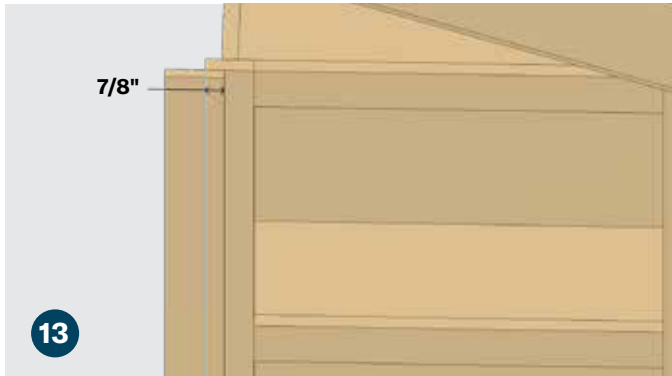
Use a 1/8" drill bit to pilot drill the back of the valance and the wall at the studs. Secure the valance to the wall using the included 3" lag screws. Once the valance is secure, remove the shims.
Make sure the doors stay level during this process.



12

Determine which side will be the lead door (the side you wish to open first). Run a bead of silicone 1/2" from the edge of the face frame.

PLEASE READ INSTRUCTIONS FULLY BEFORE YOU BEGIN ASSEMBLY



Align the top edge of the center casing with the top of the lead door and lay it 7/8" over the face frame.



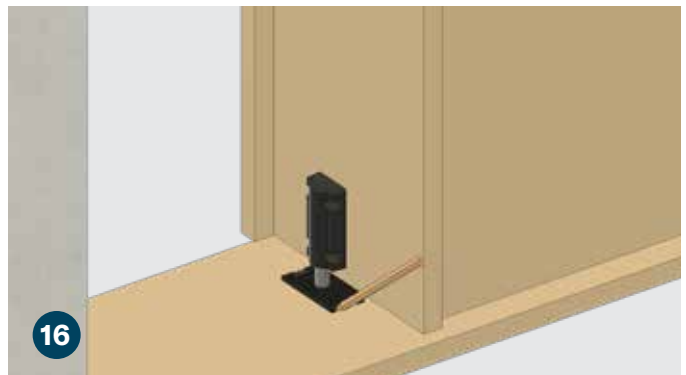
Make sure the center casing is level and clamp it in place. Fully open the door to ensure the bottom of the center casing clears the floor along the full swing of the door.

***NOTE:** Trimming the center casing may be needed. Use a miter saw and cut the bottom edge.



From the back of the face frame, use a 1/8" drill bit to pilot drill 6 holes 3/8" in from the edge, evenly space down the height. Do not drill deeper than 1". Doing so may cause you to drill through the center casing.

Secure using the included #8 x 1" screws.



With one door open and the other in the closed position, slide the catch plate under the friction catch of the closed door. Make sure it is square to the threshold and that the face frame is flush with the front edge of the threshold. Mark the back corner with a pencil.

Open the door, remove the red film and stick the catch plate to the threshold where you previously marked. Use the included #8 x 5/8" screws to secure the catch plates to the threshold. Repeat on other door.



Use a wrench to tighten or loosen the friction catch until the desired hold is achieved. Repeat on other door.



Congratulations.

You have successfully installed your Surface Mount French Door.