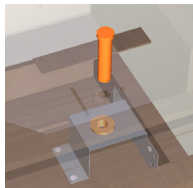
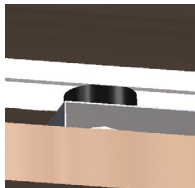
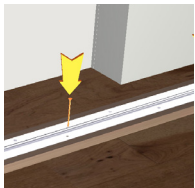




MURPHY DOOR[®]
HIDDEN DOOR SOLUTIONS

SURFACE MOUNT INSTALLATION



BILT.

STEP-BY-STEP 3D Interactive Instructions
available on-line - download the **FREE BILT™** app today!



Scan the QR code to download the app.
(available for most iOS and Android devices)
After download scan second QR code.

SCAN FOR BILT. 3D INSTRUCTIONS



POWERED BY BILT INTELLIGENT INSTRUCTIONS™

PARTS LIST

This procedure will assist you with installing a Murphy Door Surface Mount Door.

HINGED BOOKCASE



*Optional upper and lower cabinet doors available

VALANCE

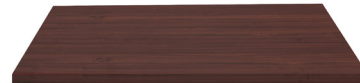
NOTE: 10" of clearance needed above valance for installation.



THRESHOLD



SHELVES (8)



Tools needed:

- Drill/Impact Drill
- Phillips Bit
- Tape Measure
- Wood Shims



(4) 3" Grabber Screws



Hinge Pin

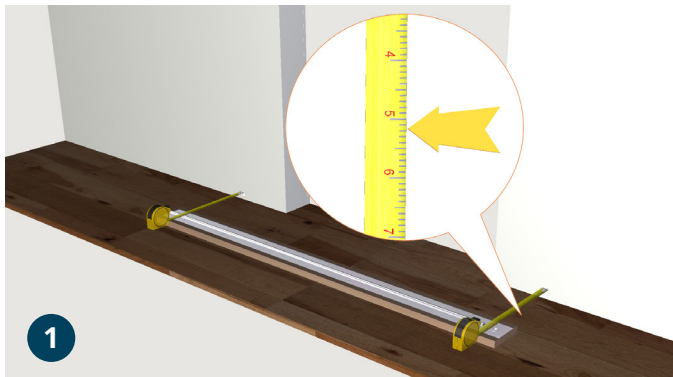


Lag Bolts, Washers

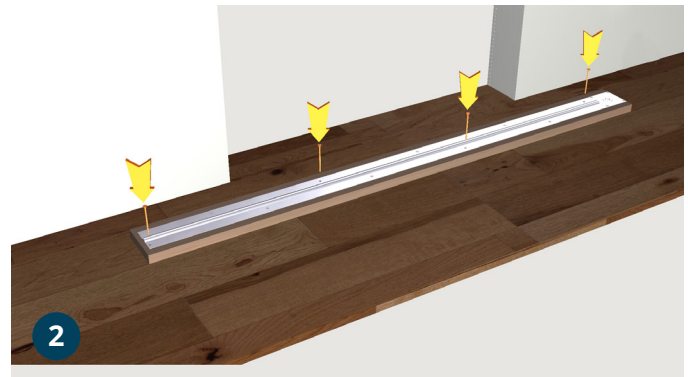


(32) Shelf Pins

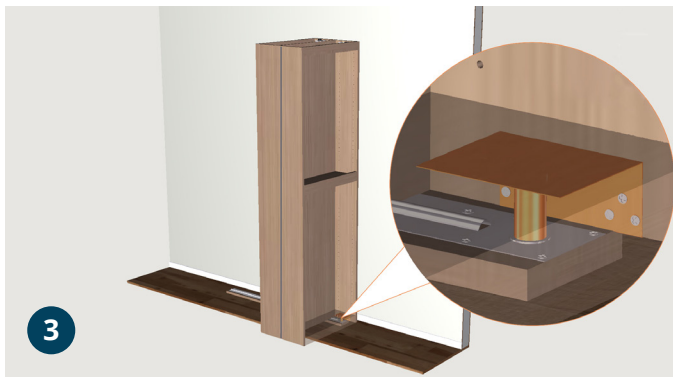
PLEASE READ INSTRUCTIONS FULLY BEFORE YOU BEGIN INSTALLATION



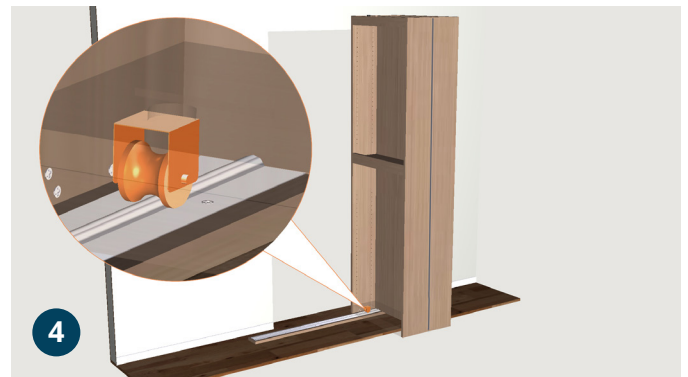
1 Position the threshold/lower track on the floor where you want to install your Surface Mount Door. The pivot hardware attached to the bottom track will be on the right hand side for a right-swing door, or on the left hand side for a left-swing door. Make sure the lower track is parallel with the wall and that the center pivot point measures 5-1/4" away from the wall. Do not measure from the base boards.



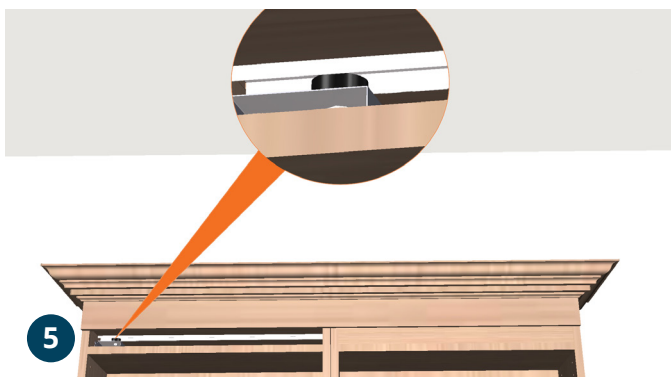
2 Attach the threshold/lower track to the floor replacing (4) screws with (4) 3" grabber screws (A). If securing to a concrete floor, a hammer drill or construction adhesive is recommended.



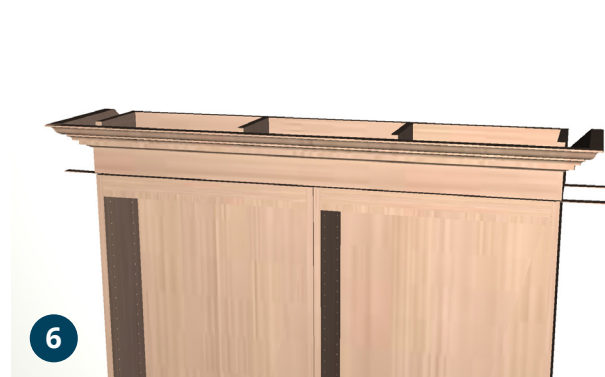
3 Lift the door up onto the lower track aligning the track pivot joint and the door's pivot pin.



4 With the lower pivot pin in place, align the trolley wheels with the lower track. Slide the door along the lower track into the closed position.

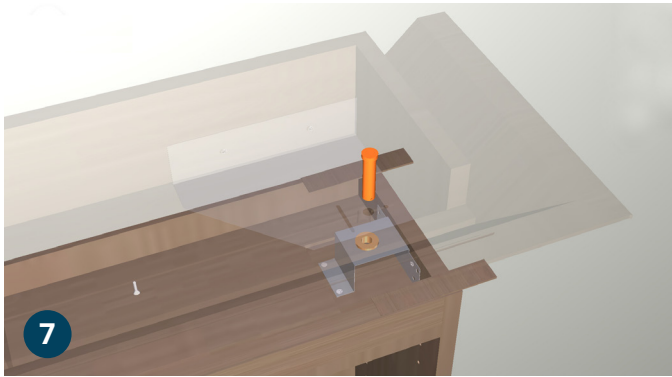


5 Place the valance on top of the door, aligning the track wheel inside of the track guide.



6 Place shims between the valance and the door on each side to create a 1/16" reveal between the valance and the bookcase. More than a 1/16" reveal may be needed depending on the evenness of floor. This space will allow the door to operate properly without making contact with the bottom of the valance.

PLEASE READ INSTRUCTIONS FULLY BEFORE YOU BEGIN INSTALLATION

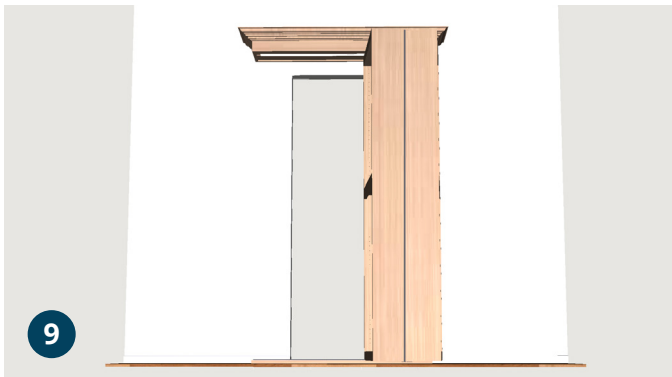


Align the hole in the valance with the hole on the top of the bookcase. Insert the hinge pin (B) on the right side for a right-hand swing, or on the left side for a left-hand swing.



The valance needs to be attached to at least one stud or the framing of the doorway. Using a power drill, attach the valance to the wall using (4) lag bolts and washers (C).

NOTE: If no studs are available replace lag bolts and washers with toggle strap drywall anchors.



Remove the shims and move the door to the fully open position. Initial resistance should give way to an easy glide. Return the door to the closed position to ensure it operates without hitting the valance.



Insert (4) shelf pins (D) per adjustable shelf into the holes on the inner side of each bookcase. Place the adjustable shelves onto the shelf pins that were installed. Repeat to place additional shelves where desired.

Congratulations! This completes the installation of the Murphy Door Surface Mount Door.

1 Year Warranty (U.S.A. ONLY)

Murphy Door warrants your door against defects in material and workmanship under normal use and maintenance for a period of one (1) years from the date of original purchase.

Murphy Door Inc. will provide a replacement part for any part found to be defective. Original part(s) approved for return by Murphy Doors customer service department must be returned prepaid. This warranty does not include labor charges connected with the determination or replacement of defective parts, or freight charges to ship these parts.

Murphy Door Inc. shall not be liable under this or any implied warranty for incidental or consequential damages. This warranty gives the retail customer specific legal rights and the customer may have other rights which vary from state to state.

This warranty shall be void if the unit is not assembled or operated in accordance with the operation instructions provided with this unit; the unit is re-sold or traded to another owner; components, accessories; or the user has abused or otherwise failed to maintain the unit.

To process a warranty claim, Murphy Door requires you to register your product on our BILT app available through the Apple Play store or Android app store and proof of your date of purchase. You should retain your sales slip or invoice with your valuable documents.