



MURPHY DOOR

Mag-Lock w/Biometric Scanner/Keypad/Key Fob Battery Backup

Admin fingerprint and user fingerprint must be different.

Change Master Code

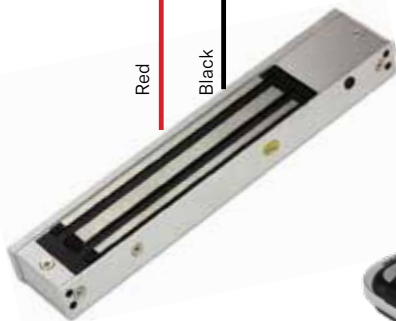
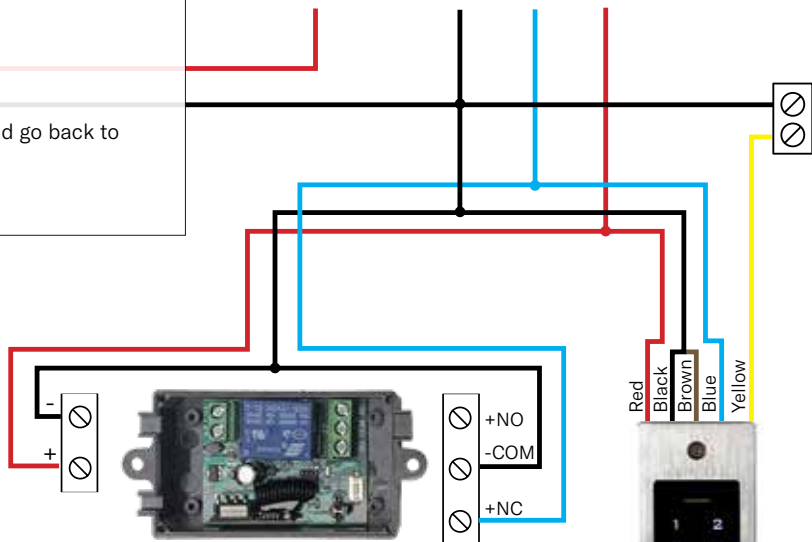
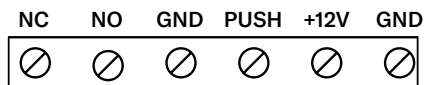
* (Red light will blink) 123456 #
(Light will flash green and go back to flashing red)
0 (Light will turn solid orange) enter new code (6 digits) #
Repeat Code #
* to exit

Add Fingerprint

Enter admin mode
1 (Light will turn solid orange)
Fingerprint x3 (Long beep and green light will flash and go back to solid orange)
(Light will flash red)
* to exit

Add Pin

Enter admin mode
1 (Light will turn solid orange)
enter pin (4-6 digits... cannot be 8888)
(Long beep and green light will flash and go back to solid orange)
* to exit



Link Key Fob w/ Control Board

1. Push the white button until light comes on.
2. While holding button down, push the lock and unlock key fob buttons simultaneously until the light turns off.

