



# MURPHY DOOR®

## Mag-Lock w/Biometric Scanner/Keypad/Key Fob

**Admin fingerprint and user fingerprint must be different.**

### Change Master Code

- \* (Red light will blink) 123456 #  
(Light will flash green and go back to flashing red)
- 0 (Light will turn solid orange) enter new code (6 digits) #  
Repeat Code #
- \* to exit

### Add Fingerprint

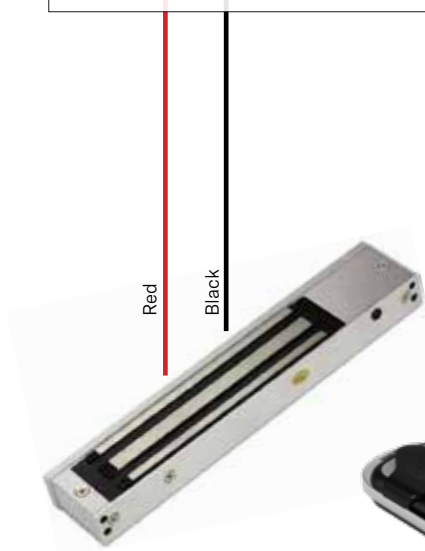
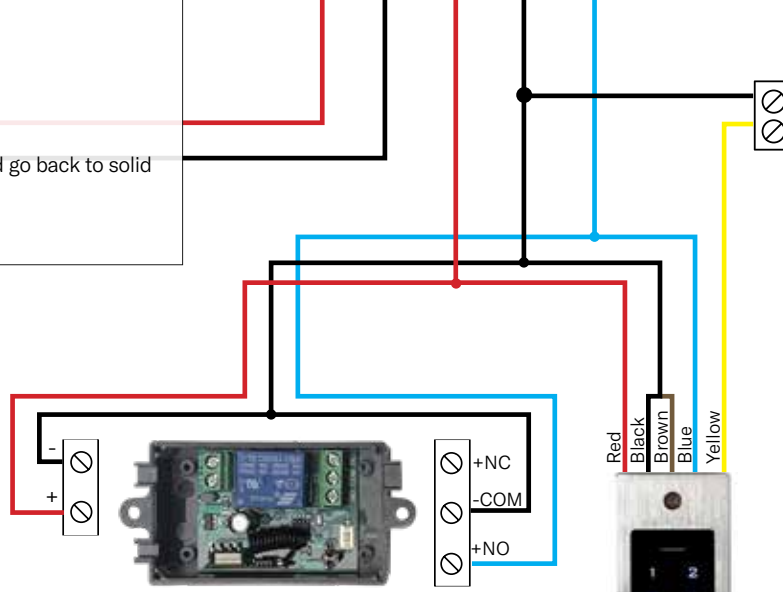
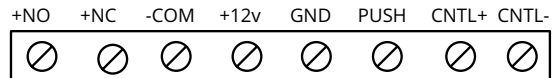
- Enter admin mode
- 1 (Light will turn solid orange)  
Fingerprint x3 (Long beep and green light will flash and go back to solid orange)
- # (Light will flash red)
- \* to exit

### Add Pin

- Enter admin mode
- 1 (Light will turn solid orange)  
enter pin (4-6 digits... cannot be 8888)
- # (Long beep and green light will flash and go back to solid orange)
- \* to exit

Red wires connect to your power source, white and black.

Green wire, if present, should be capped.



### Link Key Fob w/ Control Board

1. Push the white button until light comes on.
2. While holding button down, push the lock and unlock key fob buttons simultaneously until the light turns off.