



MURPHY DOOR
HIDDEN DOOR SOLUTIONS



Flush Mount Troubleshooting Guide

MurphyDoor.com | 888.458.5911

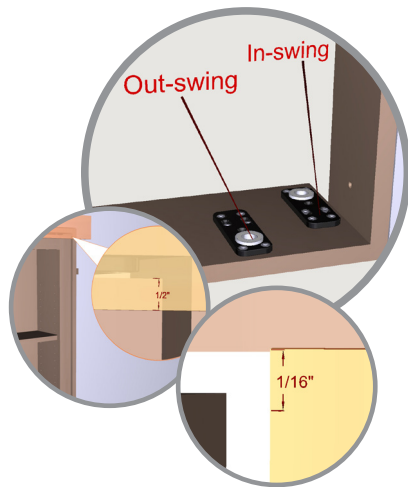


2 Flush Mount Troubleshooting Guide



BEFORE YOU START

- If you are not installing door on receipt stand it on its base or lay it on a flat surface in a dry area. **DO NOT** lean it against a wall on its edge.
- Proper moving (**MURPHY DOOR IS NOT RESPONSIBLE FOR DROPPED DOOR DAMAGE**)
 - Take door/cabinet out of jamb and carry cabinet and jamb separately.
 - **DO NOT** carry or lift by face frame.
 - The doors are heavy, handle with care.
 - Support the entire door when carrying and lifting the door.
 - Minimum of two persons recommended.
- Make sure all instructions are read and understood by installer prior to installing your door. Our doors are unique and have particular finishing details.
 - The cabinet is 1-1/2" to 2" narrower than the jamb. This allows for proper function of the door. Gaps will be covered by finish casing.
 - In-swing and out-swing casing and hinges are placed differently.
- Verify that you have all parts prior to starting the installation or hiring a contractor.
- Test your pin to make sure it works properly.
 - Hold the pin while pushing the center button. The two ball bearings should retract slightly. If the ball bearings do not retract spray with dry lube. Engage the center button several times. Recheck to see if pin is working properly.**DO NOT USE IF PIN ISN'T WORKING PROPERLY.**



UNINSTALLING DOORS

Out-Swing Door

- Take pressure off the door.
- Locate hinge pin at the top of the cabinet through the 1" hole. Insert the hinge pin removal tool (black cylindrical tool with a notch cut out on one side) through the hole and grab the pin. Initial use of this tool may require a bit more force as the plastic will be rigid. If needed, lightly tap with a hammer until the tool clicks into place.
- Carefully pull the pin down slightly wiggling the removal tool.
- Once the top pin is out, you can lift the door off the bottom hinge.

In-Swing Door

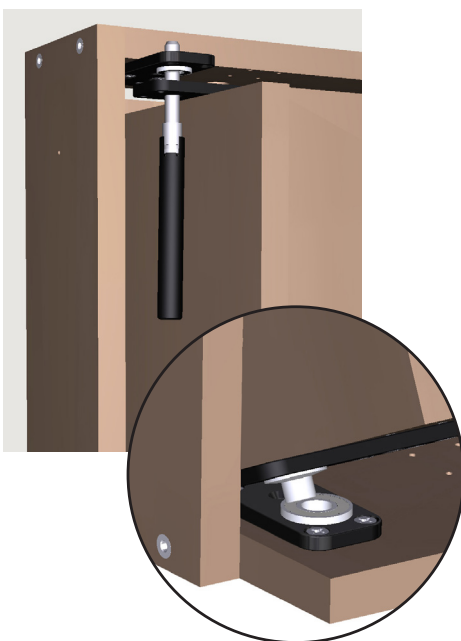
- Take pressure off the door.
- Pin will be mounted to the side of the door.
- Push the button on the pin, while pulling the pin down wiggling it down and out.
- Once top pin is out, you can lift the door off the bottom hinge.

If you lose the pin removal tool, you can order another at **MurphyDoor.com**.

In an emergency you can remove the door with needle nose pliers and a screwdriver. Insert a screwdriver through the hole at the top of the door and push the button in on the pin. Pull down on the pin with the pliers.

PAINTING & STAINING

- We encourage you to paint or stain your door within 10 days of receipt to seal the wood. This will help minimize climate differences. Murphy Door DOES NOT offer a warranty against sagging, warping, or finish absorption on unfinished doors.
- DO NOT use water-based paints. Commercial grade furniture paints and stains are required. Use care when applying. Keep pre-drilled holes free of excess paint or stain to make assembly easier.
- DO A SAMPLE TEST with your paint/stain in an inconspicuous area of the door.
- Read and follow the paint and stain instructions before applying to the door.





Shimming an Out-Swing Door

Out-Swing Door
Hinge Pin
Installation

INSTALLATION TIPS

• Framing

- Rough opening should be framed with 2" x 4" or 2" x 6" studs.
- If using metal studs, replace the included 3" screws with (8) 3" self-tapping screws.
- Make sure your studs are parallel (measure top, middle and bottom of the jamb RO) and square (by putting a square in all four corners). If they are not, your Murphy Door will not function properly and may appear bowed.

• Threshold

- For best results install the door on a level surface. **DO NOT** install the bottom threshold over carpeting. Carpet will effect levelling and prevents proper function of the door.
- If you must shim the threshold, it is best to have a shim that is the width of the threshold and runs the entire length of space needed to shim.

• Jamb

- **DO NOT** over or under tighten jamb. When installing the jamb, you need to make sure it is shimmed properly. It should be level and square with the threshold and header. If the jamb is not square it may cause your door to function improperly or appear to sag.

• Shimming

- For the best out-swing results cut the sheet rock edge as straight and clean as possible on the non-hinge installation side; left edge for a right out-swing, right edge for a left out-swing. Install the jamb tight to prepped edge. Shim the hinge edge as needed. This will make for less finish work.
- In-swing doors center in the jamb opening and shim on both sides. The trim attaches to the wall and will cover any unfinished rough openings on the front side of the door

• Hinge Pin Installation

- On out-swing doors make sure the pin goes up through the hole in the top of the door and through both hinges. **DO NOT** put the pin in from the top down. If properly installed the pin should countersink or be flush with the top of the cabinet. If it protrudes below the header it is not properly seated and may fail causing the door to fall out.

BE CERTAIN that the hinge pin is seated and goes through both hinges.

• Casing (aka Trim)

- Make sure your door is level and opens, closes, and swings properly prior to installing the casing.
- Attach side casing first, then top casing. This will make it easier to visually center the top casing. Side casing should be cut to 1/16" above an out-swing door, and a 1/2" below an in-swing door.
- When cutting casing, place the factory cut edge against the header and the end you cut toward the floor.
- Floors are not always level. Check the non-hinge side casing on your out-swing door prior to permanently attaching. If it hits the floor additional trimming may be necessary.

• Finishing

- Make sure your door functions properly before you finish the wall.
- Caulk, mud, or tape to finish the edge where the wall meets the jamb.





Move lower jamb out half pop distance.



TROUBLESHOOTING

My out-swing door protrudes at the top or swings open on its own?

- Move the jamb on lower hinge side out 1/2 the pop distance. If the pop out is 1/2", moving the jamb 1/4" out will fix 99% of all issues. Home construction is seldom square and plumb and may sometimes make our doors appear not to be.
- Ensure that the wall, door and casing are level.
- Make sure that corners in jamb are square.
- Make certain that the hinges are plumb, aligned top and bottom.
- Make sure the hinge positions are equal distances on the header jamb and threshold. Refer to our hinge templates for measurements.
- Lay door on flat surface and use straight edge to make sure that the door is not bowed, swelled or over sanded. Using the longest straight edge possible, 4'-6', to get the most accurate results. The straight edge must be a manufactured level, square or similar tool.
- Check casing and door to see if one is bowed.

My door sags on the non-hinge side?

- Check hinge measurements.
- Check the door to make sure all wood is level and not bowed
- Make sure the jamb is square and level, not over or under tightened.
- On older doors, uninstall your door.
 - Add a jamb screw, on the hinge side, 2" down from the top
 - Add (2) jamb screws, to the top jamb, 6" from each side
 Reinstall your door.
- Rack the jamb by loosening the top screws on each jamb side and tightening the hinge side as tight as possible

My hinge pin will not go in the hinge?

- Sand the inner holes - paint or powder coating may be hindering seating.
- Have someone hold the door up to take pressure off the door.
- Spray with dry lube. Ball bearings failing to retract may prevent seating.
- Use a small tool to help gently tap it in being careful not to damage the door, pin, or yourself.
- If the above steps have been taken and you still cannot get the pin in, check your jamb and door to be sure they are plumb and level.

TIPS FOR OPTIMAL FUNCTION

- Use dry lube on hinges
- Do not overweight the door.
- Place heavier items on the hinge side.
- Keep the door closed to keep even pressure on the door. Leaving the door open stresses the hinges and may cause the door to sag over time.
- Pull on the face frame, right above the fixed shelf, to open an out-swing door. Pulling higher up on the door increases the leverage you put on the bottom catch. Try not to open the door by pulling on the casing. The casing isn't as securely fastened to the door as the face frame and is easier to damage or pull off.

