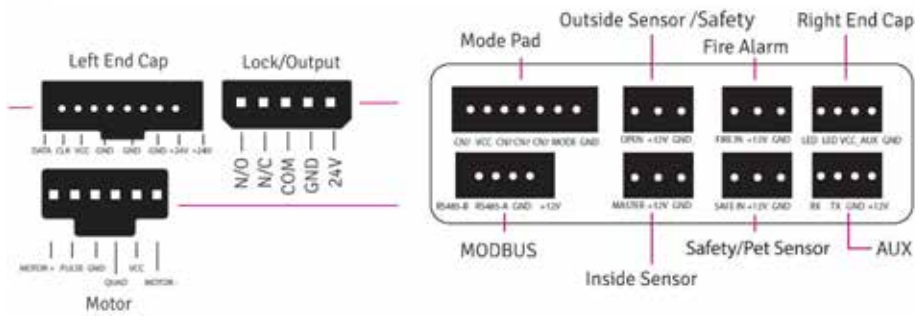




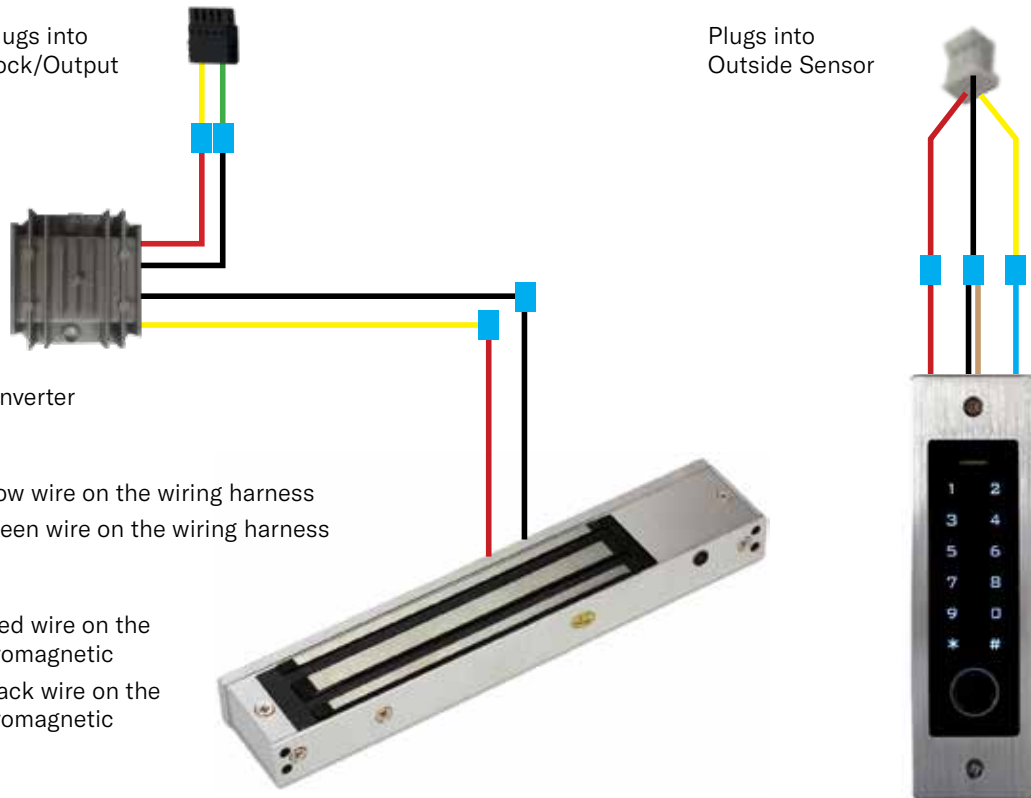
MURPHY DOOR

Automated Door Opener with Mag-Lock & Biometric Keypad



Plugs into Lock/Output

Plugs into Outside Sensor



Step Down Converter

INPUT

- + (Red) to Yellow wire on the wiring harness
- + (Black) to Green wire on the wiring harness

OUTPUT

- + (Yellow) to Red wire on the wiring electromagnetic
- + (Black) to Black wire on the wiring electromagnetic

NOTE: Additional 18 gauge wire will be needed for installation.