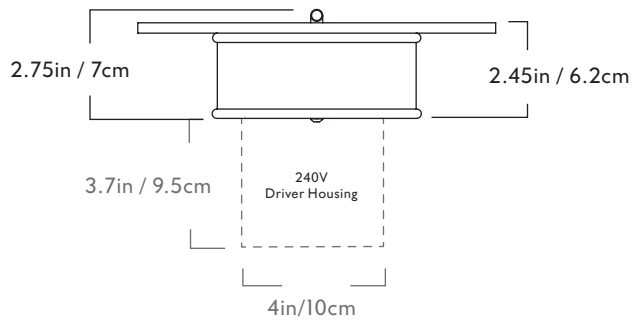
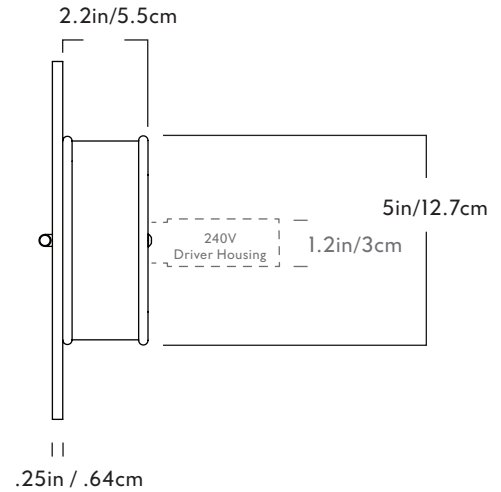
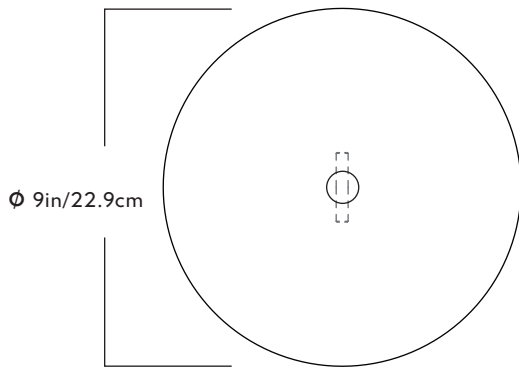


# Jason Miller Studio

41 Elizabeth Street, Suite 500, New York, NY 10013  
T +1 718 218 6636  
www.jasonmiller.us



## Pith Sconce

Series  
Sconce

Product  
Pith

Dimensions  
L 9in/22.9cm x W 9in/22.9cm  
D 2.75in / 7cm

Weight  
3lb/1.4kg

Materials  
Brass, Aluminum, Terrazzo, Acrylic

## Powder Coat

Finishes/Colors  
Black, White, Maize, Deep Red,  
Evergreen, Burnt Sienna, Terra Rosa

Hardware  
Available in Thumb nut and Toggle  
options

Driver location  
120V: Driver to be installed in the wall  
J-box.  
240V: Driver to be installed in the  
provided enclosure.

Fixture Mounting  
Designed to be mounted on standard  
4 in. Electrical Box.  
Two #8-32 screws included.  
Additional mounting hardware provided  
for 240V versions.

Certifications  
ADA compliant  
UL/cUL (120V)  
CE (240V)  
UL/Outdoor wet rated

### 120/277V Illumination

Integrated LED  
Wattage: 8 W  
Lumens: 350 Lumens est.  
Color Temperature: 2700 K, 90+ CRI  
LED Lifetime: 50,000 Hours est.  
Dimming: 120V - TRIAC, ELV, 0-10V  
277V - 0-10V only

### 240V Illumination

Integrated LED  
Wattage: 8 W  
Lumens: 350 Lumens est.  
Color Temperature: 2700 K, 90+ CRI  
LED Lifetime: 50,000 Hours est.  
Dimming: TRIAC, ELV or 0-10V

### Driver location

Driver located in canopy

### Fixture Mounting

Designed to be mounted on standard  
4in. Electrical Box.  
Two #8-32 screws included.  
Additional mounting hardware provided  
for 240V versions.