

## Elliot

## Dining Table 056S Rectangular

**Series**  
Elliot

**Product**  
Dining Table 056S Rectangular.

**Dimensions**  
L78.75in/200cm x W37in/95cm x  
H29.75in/75.5cm

**Materials**  
Solid wood.

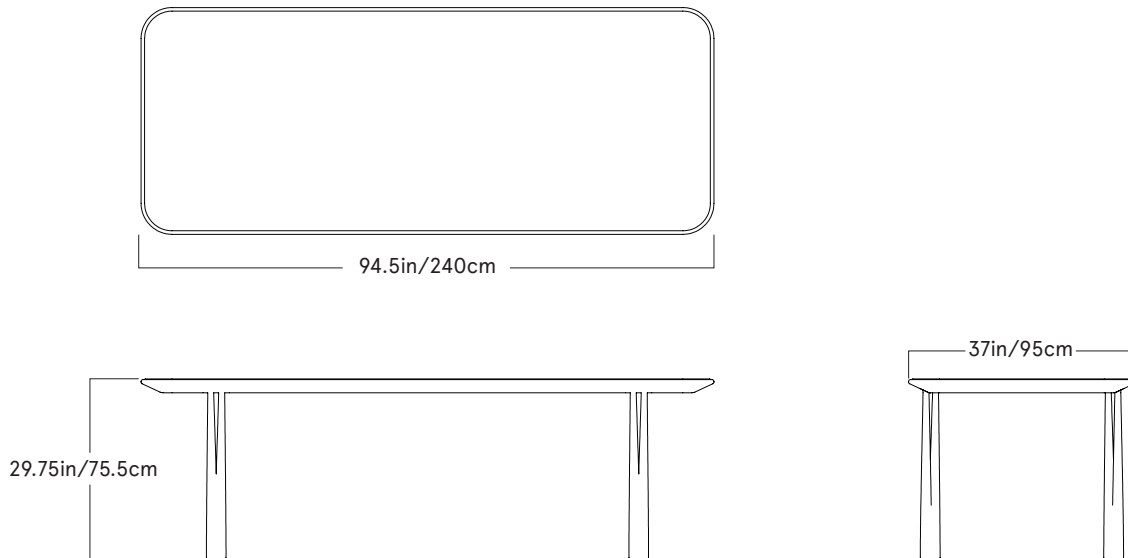
**Finishes**

**Oiled Timber:**

Walnut danish oiled, Walnut white oiled, Walnut black oiled, Oak danish oiled, Oak white oiled, Oak black oiled, Oak oxidized, Ash danish oiled, Ash white oiled, Ash black oiled.

**Painted/Stained Timber:**

Ash painted or stained in Bay NCS S 7010 B50G, Cove NCS S 6010 G10Y, Fjord NCS S 3010 G20Y, Lagoon NCS 2010 G, White RAL 9016, Bone NCS S1005-Y20R, Forest NCS S7020-G, Black RAL 9005, Bordeaux NCS S6030-R10B, or Ochre NCS S 4040-Y20R.



## Elliot

## Dining Table 056M Rectangular

### Series

Elliot

### Product

Dining Table 056M Rectangular.

### Dimensions

L94.5in/240cm x W37in/95cm x  
H29.75in/75.5cm

### Materials

Solid wood.

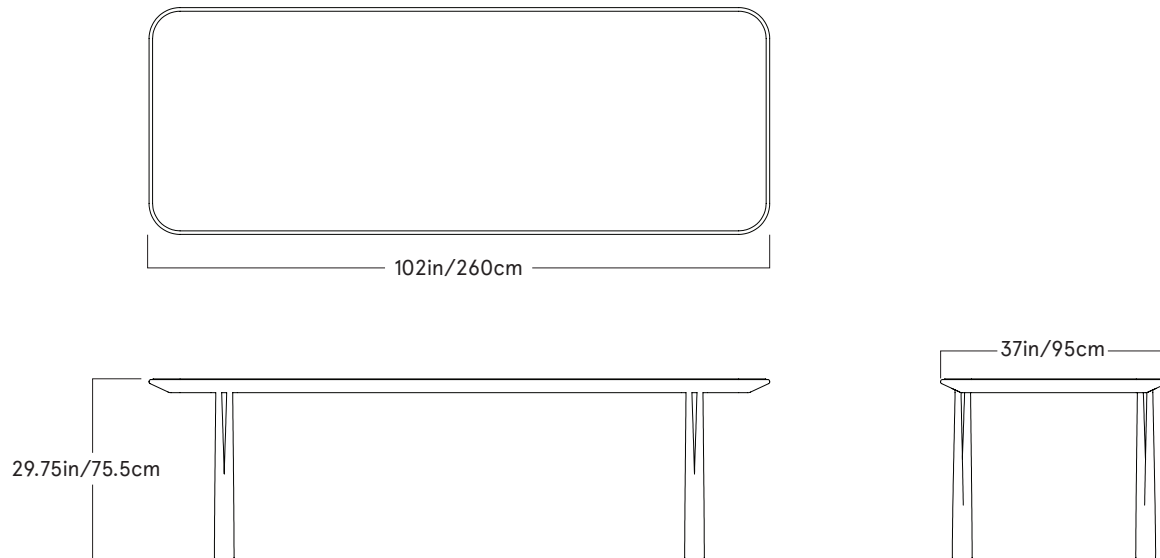
### Finishes

#### Oiled Timber:

Walnut danish oiled, Walnut white oiled, Walnut black oiled, Oak danish oiled, Oak white oiled, Oak black oiled, Oak oxidized, Ash danish oiled, Ash white oiled, Ash black oiled.

#### Painted/Stained Timber:

Ash painted or stained in Bay NCS S 7010 B50G, Cove NCS S 6010 G10Y, Fjord NCS S 3010 G20Y, Lagoon NCS 2010 G, White RAL 9016, Bone NCS S1005-Y20R, Forest NCS S7020-G, Black RAL 9005, Bordeaux NCS S6030-R10B, or Ochre NCS S 4040-Y20R.



## Elliot

## Dining Table 056L Rectangular

### Series

Elliot

### Product

Dining Table 056L Rectangular.

### Dimensions

L102in/260cm x W37in/95cm x  
H29.75in/75.5cm

### Materials

Solid wood.

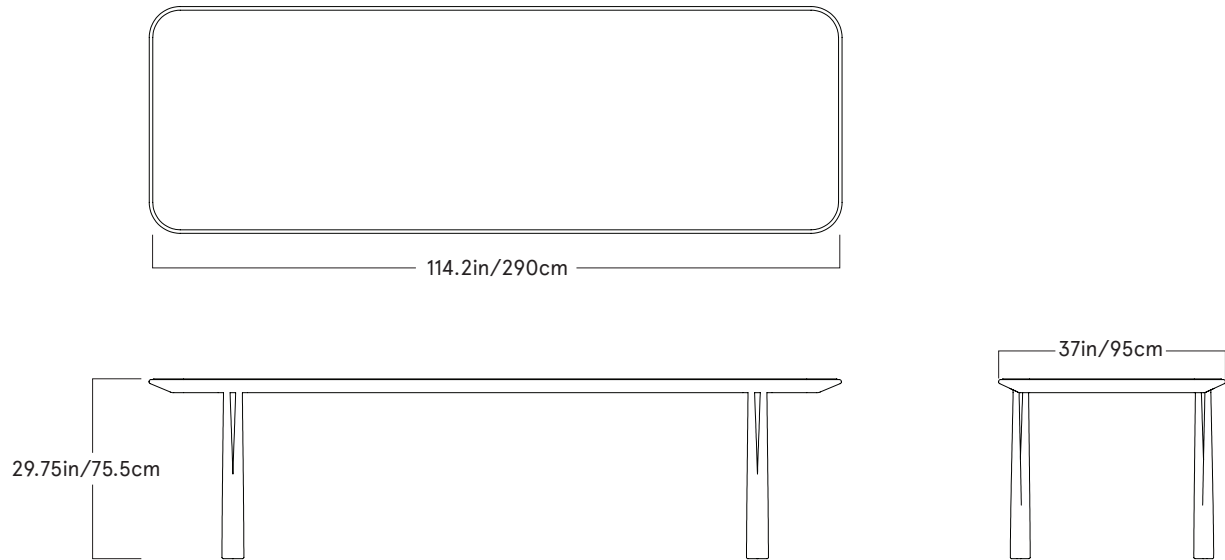
### Finishes

#### Oiled Timber:

Walnut danish oiled, Walnut white oiled, Walnut black oiled, Oak danish oiled, Oak white oiled, Oak black oiled, Oak oxidized, Ash danish oiled, Ash white oiled, Ash black oiled.

#### Painted/Stained Timber:

Ash painted or stained in Bay NCS S 7010 B50G, Cove NCS S 6010 G10Y, Fjord NCS S 3010 G20Y, Lagoon NCS 2010 G, White RAL 9016, Bone NCS S1005-Y20R, Forest NCS S7020-G, Black RAL 9005, Bordeaux NCS S6030-R10B, or Ochre NCS S 4040-Y20R.



## Elliot

## Dining Table 056G Rectangular

### Series

Elliot

### Product

Dining Table 056G Rectangular.

### Dimensions

L114.2in/290cm x W37in/95cm x  
H29.75in/75.5cm

### Materials

Solid wood.

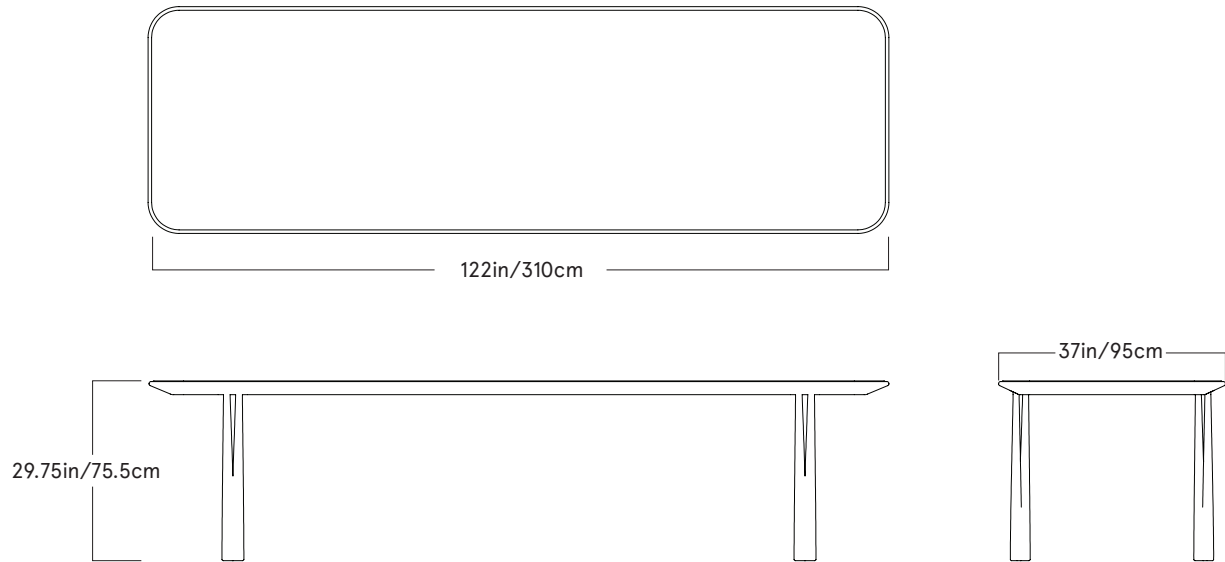
### Finishes

#### Oiled Timber:

Walnut danish oiled, Walnut white oiled, Walnut black oiled, Oak danish oiled, Oak white oiled, Oak black oiled, Oak oxidized, Ash danish oiled, Ash white oiled, Ash black oiled.

#### Painted/Stained Timber:

Ash painted or stained in Bay NCS S 7010 B50G, Cove NCS S 6010 G10Y, Fjord NCS S 3010 G20Y, Lagoon NCS 2010 G, White RAL 9016, Bone NCS S1005-Y20R, Forest NCS S7020-G, Black RAL 9005, Bordeaux NCS S6030-R10B, or Ochre NCS S 4040-Y20R.



## Elliot

## Dining Table 056J Rectangular

### Series

Elliot

### Product

Dining Table 056J Rectangular.

### Dimensions

L122in/310cm x W37in/95cm x  
H29.75in/75.5cm

### Materials

Solid Ash.

### Finishes

#### Oiled Timber:

Ash danish oiled, Ash white oiled, Ash  
black oiled.

#### Painted/Stained Timber:

Ash painted or stained in Bay NCS S  
7010 B50G, Cove NCS S 6010 G10Y,  
Fjord NCS S 3010 G20Y, Lagoon NCS  
2010 G, White RAL 9016, Bone NCS  
S1005-Y20R, Forest NCS S7020-G,  
Black RAL 9005, Bordeaux NCS S6030-  
R10B, or Ochre NCS S 4040-Y20R.