

## Elliot

## Dining Table 051S Oblong

### Series

Elliot

### Product

Dining Table 051S Oblong

### Dimensions

L92.5in/235cm x W37in/95cm x  
H29.75in/75.5cm

### Materials

Solid wood.

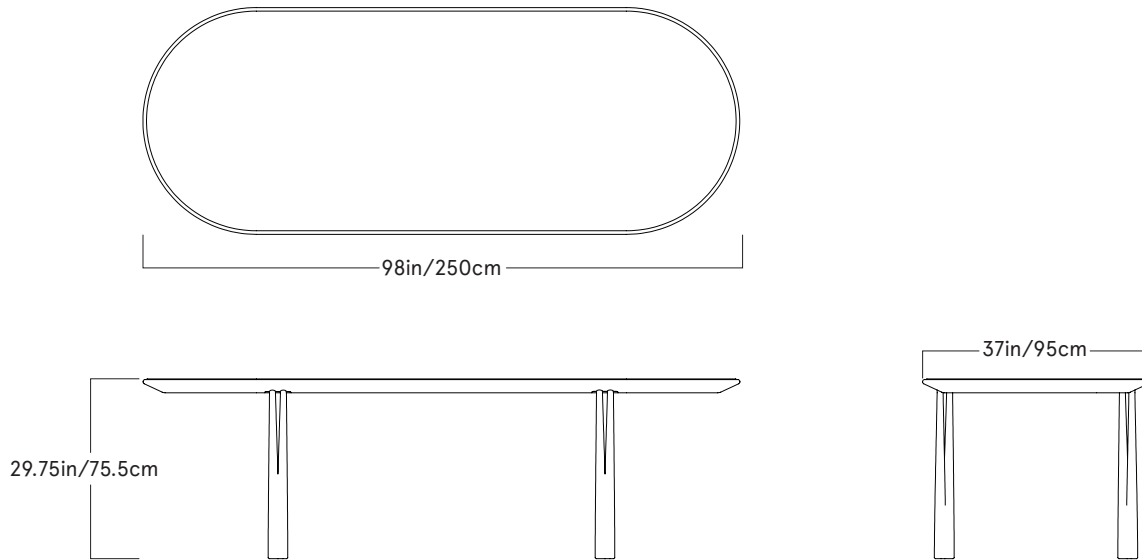
### Finishes

#### Oiled Timber:

Walnut danish oiled, Walnut white oiled, Walnut black oiled, Oak danish oiled, Oak white oiled, Oak black oiled, Oak oxidized, Ash danish oiled, Ash white oiled, Ash black oiled.

#### Painted/Stained Timber:

Ash painted or stained in Bay NCS S 7010 B50G, Cove NCS S 6010 G10Y, Fjord NCS S 3010 G20Y, Lagoon NCS 2010 G, White RAL 9016, Bone NCS S1005-Y20R, Forest NCS S7020-G, Black RAL 9005, Bordeaux NCS S6030-R10B, or Ochre NCS S 4040-Y20R.



## Elliot

## Dining Table 051M Oblong

### Series

Elliot

### Product

Dining Table 051M Oblong

### Dimensions

L98in/250cm x W37in/95cm x  
H29.75in/75.5cm

### Materials

Solid wood.

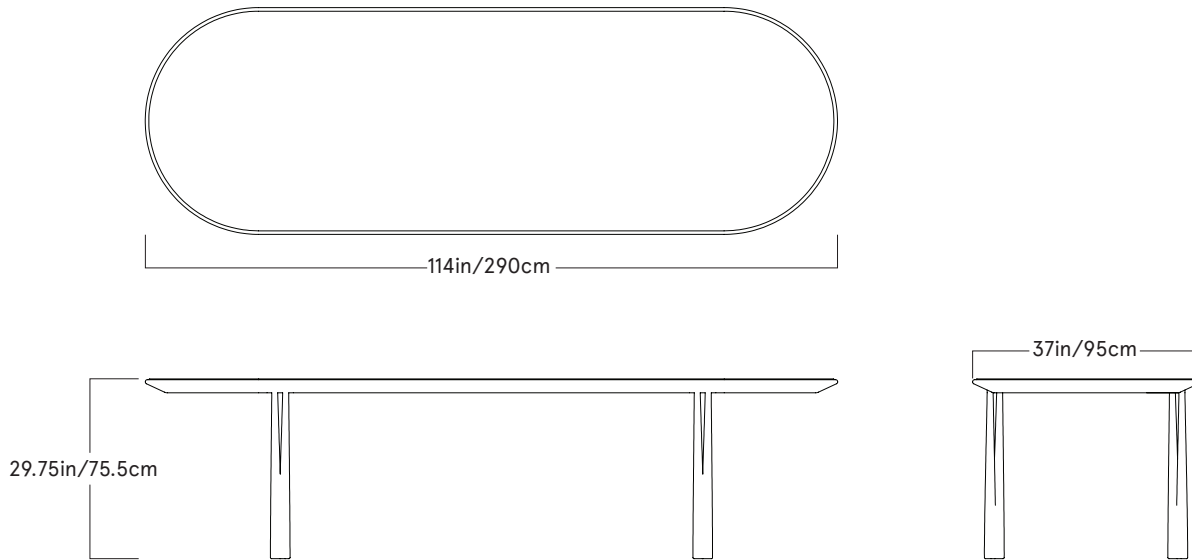
### Finishes

#### Oiled Timber:

Walnut danish oiled, Walnut white oiled, Walnut black oiled, Oak danish oiled, Oak white oiled, Oak black oiled, Oak oxidized, Ash danish oiled, Ash white oiled, Ash black oiled.

#### Painted/Stained Timber:

Ash painted or stained in Bay NCS S 7010 B50G, Cove NCS S 6010 G10Y, Fjord NCS S 3010 G20Y, Lagoon NCS 2010 G, White RAL 9016, Bone NCS S1005-Y20R, Forest NCS S7020-G, Black RAL 9005, Bordeaux NCS S6030-R10B, or Ochre NCS S 4040-Y20R.



## Elliot

## Dining Table 051L Oblong

### Series

Elliot

### Product

Dining Table 051L Oblong

### Dimensions

L114in/290cm x W37in/95cm x  
H29.75in/75.5cm

### Materials

Solid wood.

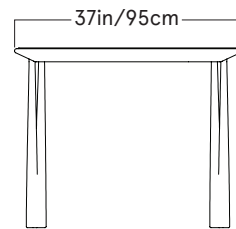
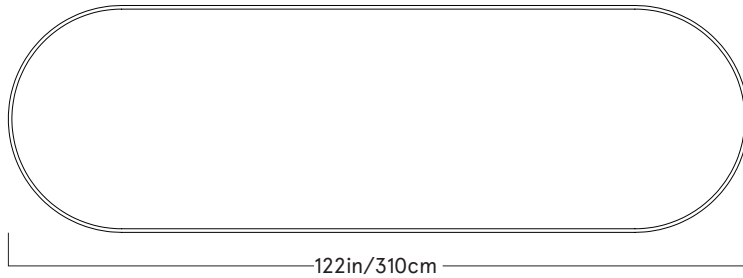
### Finishes

#### Oiled Timber:

Walnut danish oiled, Walnut white oiled, Walnut black oiled, Oak danish oiled, Oak white oiled, Oak black oiled, Oak oxidized, Ash danish oiled, Ash white oiled, Ash black oiled.

#### Painted/Stained Timber:

Ash painted or stained in Bay NCS S 7010 B50G, Cove NCS S 6010 G10Y, Fjord NCS S 3010 G20Y, Lagoon NCS 2010 G, White RAL 9016, Bone NCS S1005-Y20R, Forest NCS S7020-G, Black RAL 9005, Bordeaux NCS S6030-R10B, or Ochre NCS S 4040-Y20R.



## Elliot

## Dining Table 051G Oblong

Series  
Elliot

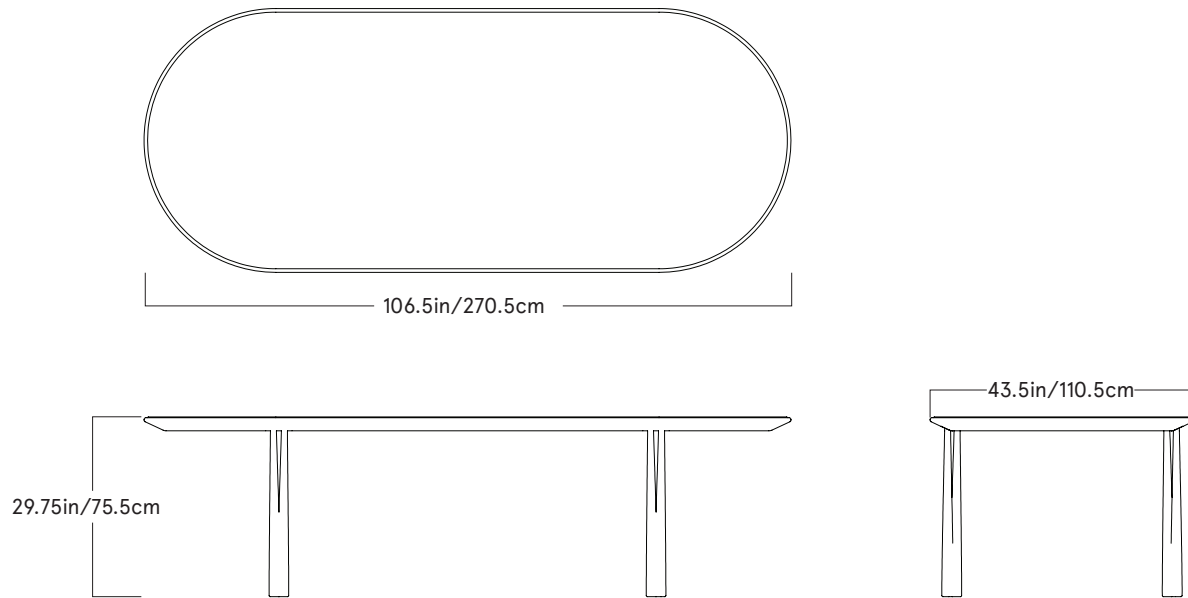
Product  
Dining Table 051G Oblong

Dimensions  
L122in/310cm x W37in/95cm x  
H29.75in/75.5cm

Materials  
Solid wood.  
Ash only.

Finishes  
Oiled Timber:  
Ash danish oiled, Ash white oiled, Ash  
black oiled.

Painted/Stained Timber:  
Ash painted or stained in Bay NCS S  
7010 B50G, Cove NCS S 6010 G10Y,  
Fjord NCS S 3010 G20Y, Lagoon NCS  
2010 G, White RAL 9016, Bone NCS  
S1005-Y20R, Forest NCS S7020-G,  
Black RAL 9005, Bordeaux NCS S6030-  
R10B, or Ochre NCS S 4040-Y20R.



## Elliot

## Dining Table 051LZ Oblong

### Series

Elliot

### Product

Dining Table 051LZ Oblong

### Dimensions

L106.5in/270.5cm x W43.5in/110.5cm x  
H29.75in/75.5cm

### Materials

Solid wood.

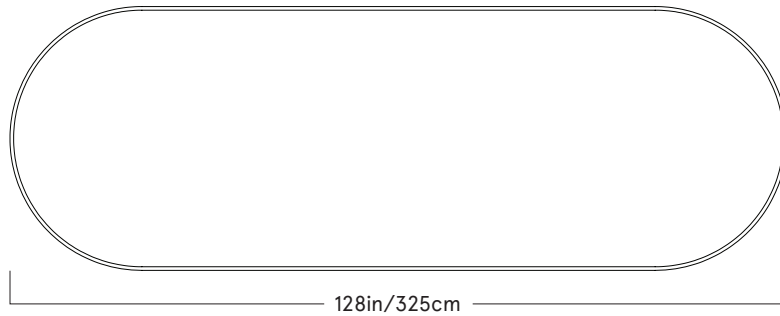
### Finishes

#### Oiled Timber:

Walnut danish oiled, Walnut white oiled, Walnut black oiled, Oak danish oiled, Oak white oiled, Oak black oiled, Oak oxidized, Ash danish oiled, Ash white oiled, Ash black oiled.

#### Painted/Stained Timber:

Ash painted or stained in Bay NCS S 7010 B50G, Cove NCS S 6010 G10Y, Fjord NCS S 3010 G20Y, Lagoon NCS 2010 G, White RAL 9016, Bone NCS S1005-Y20R, Forest NCS S7020-G, Black RAL 9005, Bordeaux NCS S6030-R10B, or Ochre NCS S 4040-Y20R.



## Elliot

## Dining Table 051GZ Oblong

Series  
Elliot

Product  
Dining Table 051GZ Oblong

Dimensions  
L128in/325cm x W43.5in/110.5cm x  
H29.75in/75.5cm

Materials  
Solid wood.  
Ash only.

Finishes  
Oiled Timber:  
Ash danish oiled, Ash white oiled, Ash  
black oiled.

Painted/Stained Timber:  
Ash painted or stained in Bay NCS S  
7010 B50G, Cove NCS S 6010 G10Y,  
Fjord NCS S 3010 G20Y, Lagoon NCS  
2010 G, White RAL 9016, Bone NCS  
S1005-Y20R, Forest NCS S7020-G,  
Black RAL 9005, Bordeaux NCS S6030-  
R10B, or Ochre NCS S 4040-Y20R.