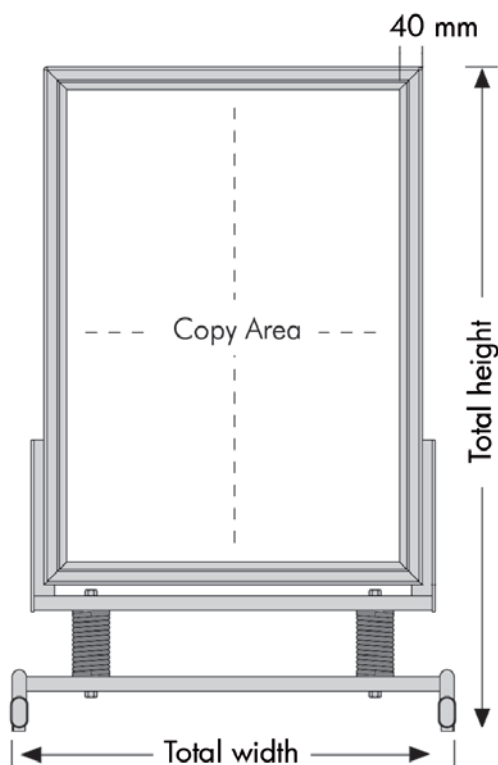




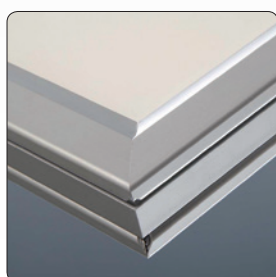
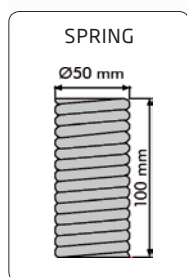
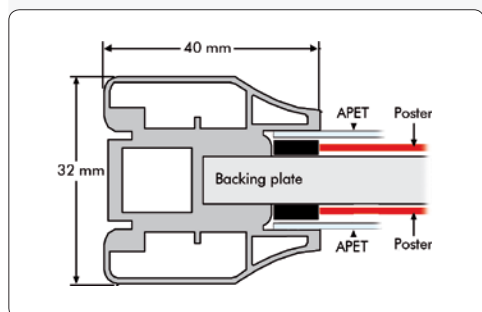
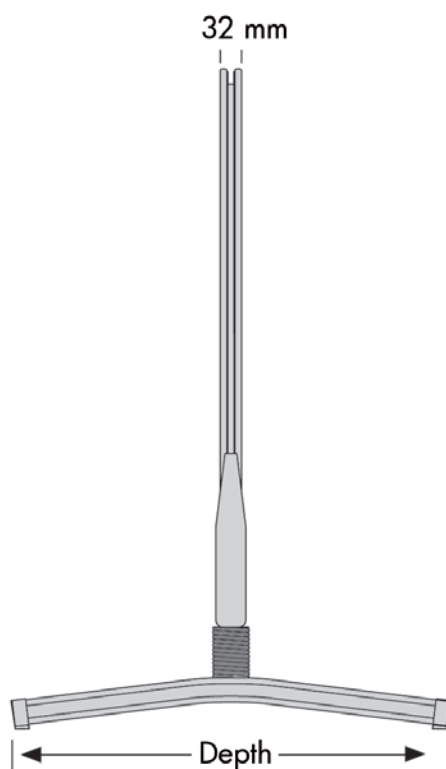
🇬🇧 Pavement board produced in 40 mm silver anodized alu snap-frames with mitred corners. APET anti-reflex front panels. Mounted with black rubber to protect the poster from water. Springs are made of steel and the feet are powder coated (RAL 9006).

🇩🇪 Strassenständer - 40 mm Alu Klapp-Rahmen mit Ecken auf Gehrung. Polyester-lackiertem (RAL 9006) Stahlfüße und Stahlfedern. Mit entspiegelte APET Frontplatten. Mit schwarzem Gummi montiert zum Schutz gegen Wasser.

🇩🇰 Gadeskilt med 40 mm alu snap-frames med geringshjørner. Polyesterlakerede stål-ben (RAL 9006). Monteret med stål fjedre. Antirefleks APET frontplader. Stormsikret. Skumliste monteret mod indtrængning af vand.



Watersafe  
and wind  
stable



Model	Art.no.	Poster size	Visible part	Colour	Total W x H	Package size and weight	Pallet size and quantity
126	4700	50 x 70 cm	48,2 x 68,2 cm	Alu/Silver	64 x 100 x 90 cm	105 x 70 x 11,5 cm 15,0 kg	80 x 120 x 220 cm 20 pcs.
126	4701	59,4 x 84,1 cm A1	57,6 x 82,3 cm	Alu/Silver	73 x 117 x 105 cm	120 x 80 x 11,5 cm 17,0 kg	80 x 120 x 220 cm 18 pcs.
126	4702	70 x 100 cm	68,2 x 98,2 cm	Alu/Silver	84 x 133 x 124 cm	135 x 90 x 11,5 cm 20,0 kg	80 x 120 x 220 cm 18 pcs.