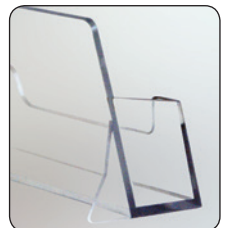
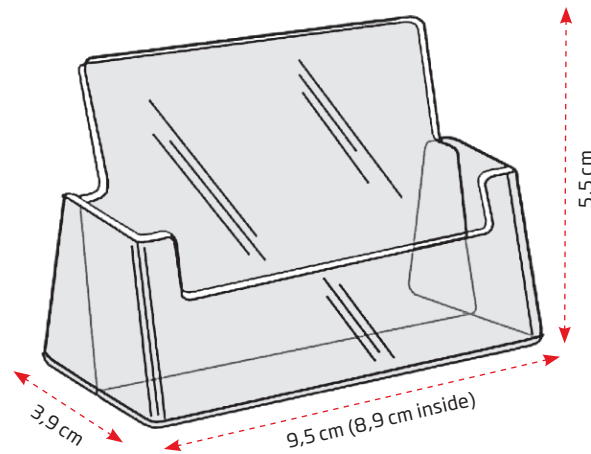
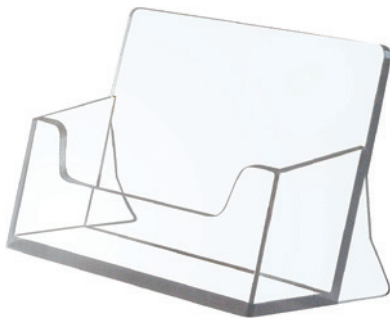




MODEL 1211 - 7515 - VERTICAL




MODEL 1212 - 7509 - HORIZONTAL



 Business card holder made of transparent acrylic material, injection moulded.

 Visitenkartenhalter aus Transparenten spritzgussgeformtem Polystyrol hergestellt.

 Visitkortholder produceret i transparent sprøjtetstøbt polystyren.



Model	Art. no.	Business card size	Colour	Total W x H x D	Package size and weight	Pallet size and quantity
1211	7515	5,5 x 9,0 cm Vertical	Transparent	6,5 x 7,3 x 3,9 cm	29 x 54 x 21 cm (280 pcs.) 0,1 kg	80 x 120 x 125 cm 8400 pcs.
1212	7509	8,5 x 5,5 cm Horizontal	Transparent	9,5 x 5,5 x 3,9 cm	25 x 35 x 9 cm (40 pcs.) 0,1 kg	80 x 120 x 125 cm 4680 pcs.