

# CASINO

## HARDWARE



# CASINO

## TOURING GRADE HARDWARE

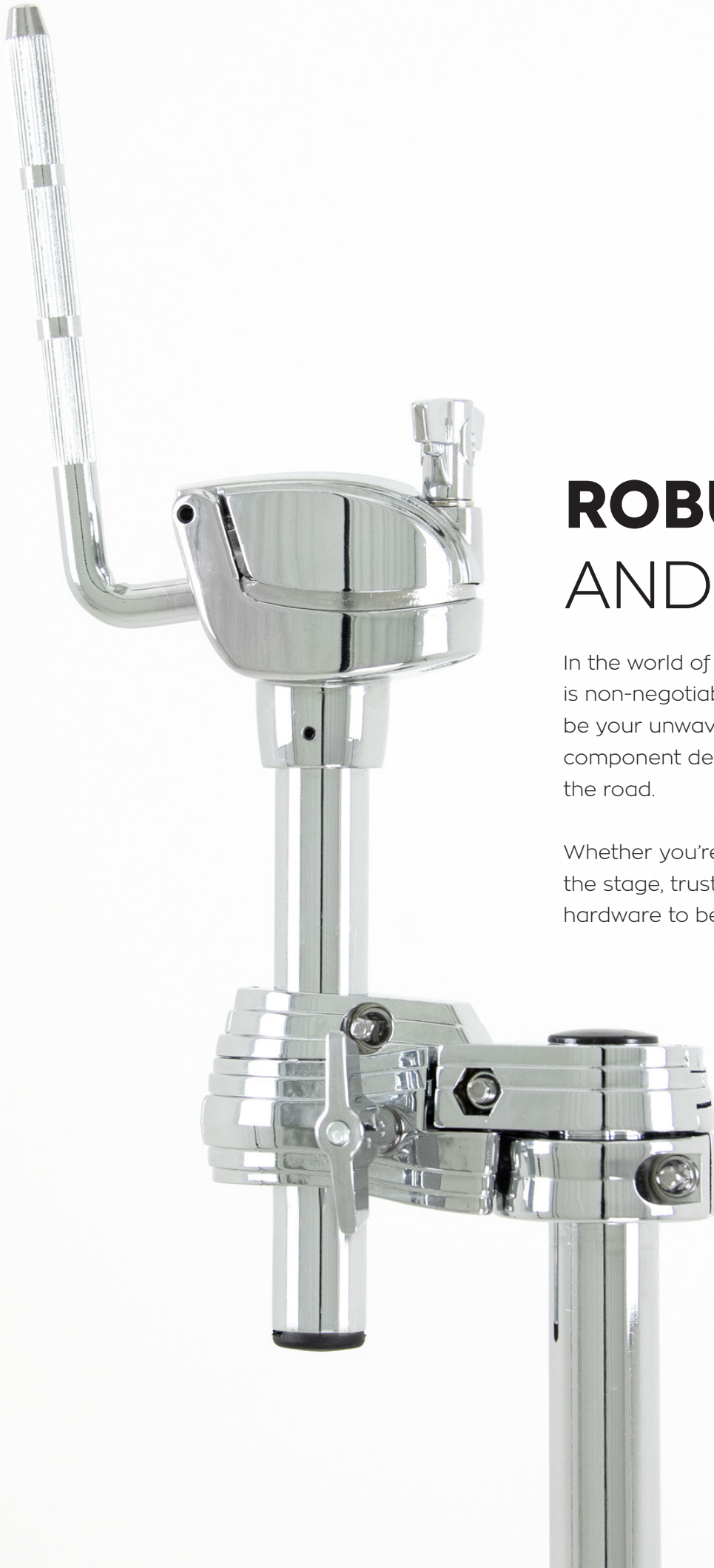
Introducing Casino, the professional, touring grade range of hardware from British Drum Co.

Designed in the UK by drummers for drummers, Casino is the result of painstaking research and development. Our objective has been to establish a collection of dependable hardware that will stand up to the rigours of heavy-duty touring.

Casino features a design aesthetic based on British Drum Co.'s distinctive Palladium Art Deco styling. The innovative dice identification system built into Casino demonstrates the creativity that inspires functionality in every British Drum Co. product.

Dependable, beautiful, functional drum hardware, only from British Drum Co.





# ROBUST AND RELIABLE

In the world of professional drumming, reliability is non-negotiable. Casino is engineered to be your unwavering companion, with each component designed to endure the rigors of the road.

Whether you're in the studio or conquering the stage, trust in the dependability of Casino hardware to be dependable and functional.



## CASINO **DICE**

Casino's dice identification system is unique to British Drum Co. and has been specially designed for both touring drummers and technical crews alike.

The dice can be used to match stand components by assigning a designated number to each stand, enabling quick identification and matching of hardware components during the set-up or break down process.



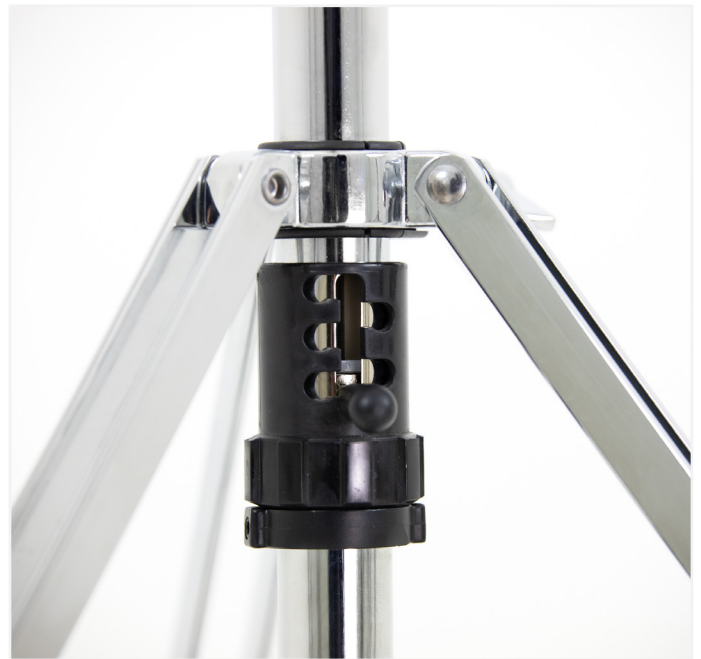


# SNARE STAND

CAS-HW-SS

- Double braced straight-profile legs
- Casino dice identification system
- Adjustable height with memory lock
- TotalGrip™ rubber feet
- Adjustable off-setting snare cradle





# HI HAT STAND

CAS-HW-HH

- Double braced straight-profile legs
- Casino dice identification system
- Adjustable/Lockable spring tension
- Palladium style clutch
- Palladium style footplate
- Chain drive central pull system
- Adjustable height with memory lock
- TotalGrip™ rubber feet

# CYMBAL BOOM STAND

CAS-HW-BS

- Double braced straight-profile legs
- Casino dice identification system
- Adjustable height with memory locks
- Disappearing boom arm for straight cymbal stand option
- TotalGrip™ rubber feet







# SINGLE TOM STAND

CAS-HW-ST5

- 1 x ball-ended L arm for optimum tom positioning
- Double braced straight-profile legs
- Casino dice identification system
- Adjustable height with memory locks
- Utilises Casino Multi-Clamp for flexibility and adaptability with other accessories
- TotalGrip™ rubber feet



# DOUBLE TOM STAND

CAS-HW-DTS

- 2 x ball-ended L arms for optimum tom positioning
- Double braced straight-profile legs
- Casino dice identification system
- Adjustable height with memory locks
- Utilises Casino Multi-Clamp for flexibility and adaptability with other accessories
- TotalGrip™ rubber feet

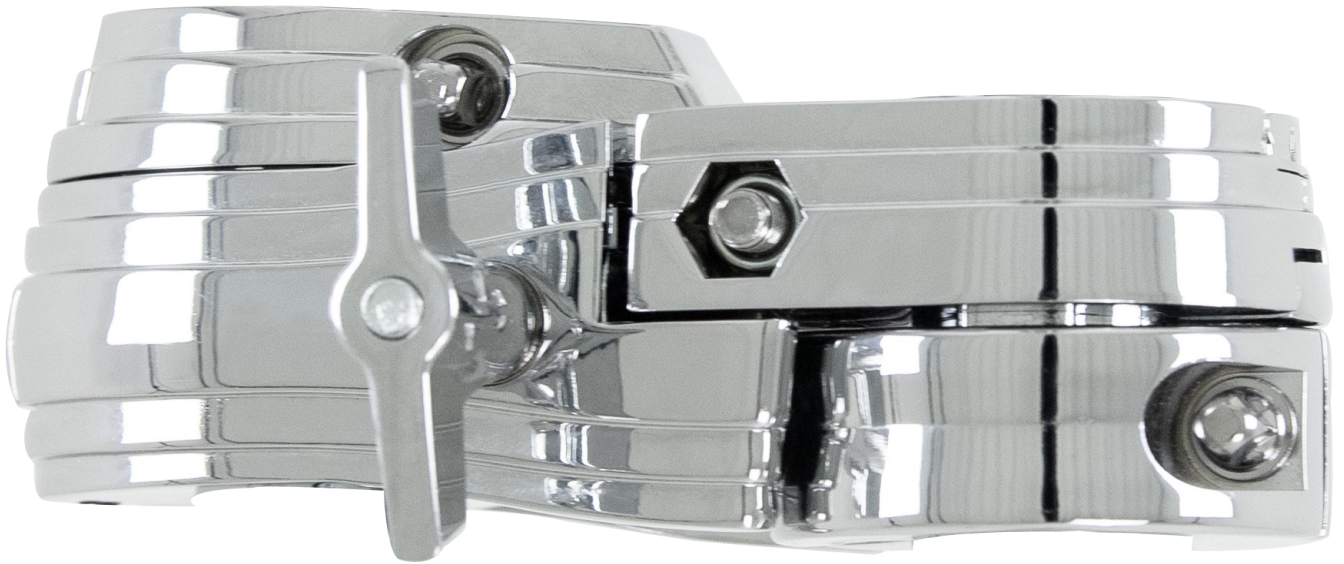


# MINI BOOM ARM

CAS-HW-MBA

- 12inch disappearing knurled boom arm
- Memory locks for easy positioning
- Compatible with multi-clamp
- Casino dice identification system
- Palladium styling

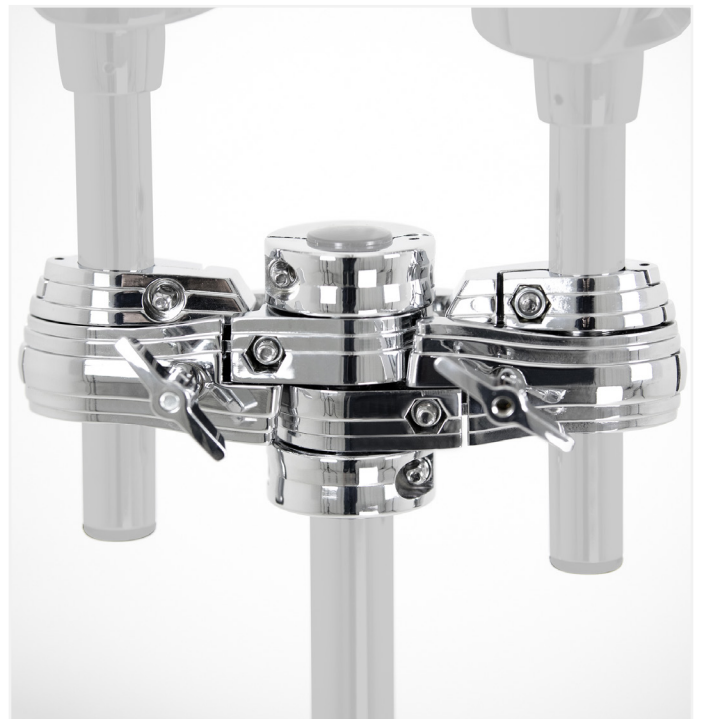
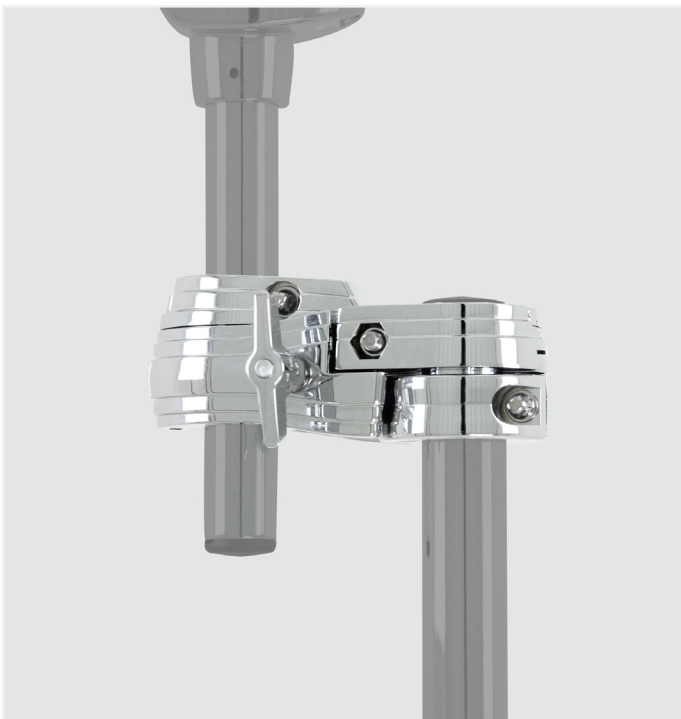




# MULTI-CLAMP

## CAS-HW-MCL

- Twin-section multi-clamp
- Suitable for 22mm ( $\frac{7}{8}$ " ) and 25mm (1" ) tubing
- Palladium styling
- Reversible interlocking feature with additional Casino Multi-clamp





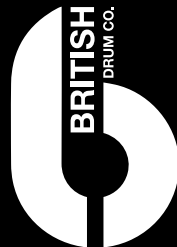
# TOM L ARM

CAS-HW-TA

- 1 x ball-ended L arm for optimum tom positioning
- Knurled tom post for secure fixing
- Palladium styling







LOOK **AMAZING!** SOUND **AMAZING!** FEEL **AMAZING!**

Unit 2, Haigh Avenue, Whitehill Industrial Estate, Stockport, SK4 1NU

[www.britishdrumco.com](http://www.britishdrumco.com) • +44 (0) 161 804 4723 • [info@britishdrumco.com](mailto:info@britishdrumco.com)

