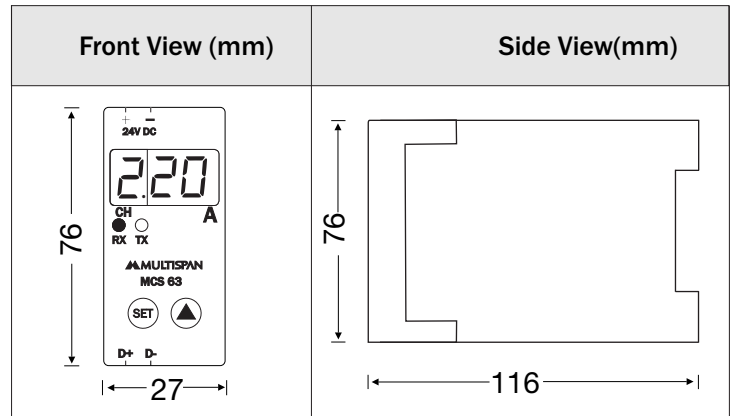




ENVIRONMENTAL CONDITION :

Working Temperature	0 to 55 °C
Storage Temperature	0 to 55 °C
Relative Humidity	95 % RH Non - Condensing

MECHANICAL DIMENSION



TECHNICAL SPECIFICATION

INPUT SPECIFICATION :

Current AC	2 To 60 Amp.
Burden	< 0.2VA
Overload	Up to 65A continuous

CALCULATED PARAMETERS :

6 Different CT Current

DISPLAY & KEYS :

Display	3 Digit, 7 Seg., 0.36", Red.
Keys	SET, INC

DIMENSION :

Size (mm)	76(H) x 27(W) x 116(D)
-----------	------------------------

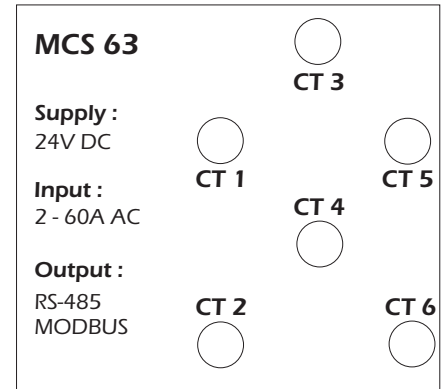
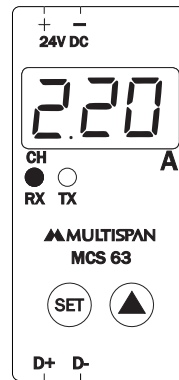
COMMUNICATION SPECIFICATION :

Protocol	Modbus RTU Serial
Standard	RS - 485
Communication method	2 wire half duplex
Data frame	N-8-0,N-8-1,N-8-2
Communication rate	2400,4800,9600,19200,38400
Slave Address	1 to 127
Data type	Integer,Float

AUXILIARY POWER SUPPLY :

Power Supply	24 V DC
--------------	---------

TERMINAL CONNECTION

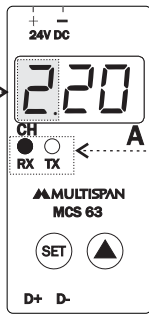


KEY OPERATION

FUNCTION	KEY PRESS
OPERATION MODE	
To Enter in Parameter Setting	⊙ SET
To View Different CT Current (To Change page)	▲
To Change Scroll & Hold Mode	▲ For 3 Sec
PARAMETER SETTING MODE	
To Change Parameter Value	▲
To Save & Exit From Parameter Setting Mode	⊙ SET For 3 sec

DISPLAY INDICATION

1st Digit Indicate CT channel no. & 2nd & 3 digit show Current Value of that Channel



Transmit & Receive Of Data LED

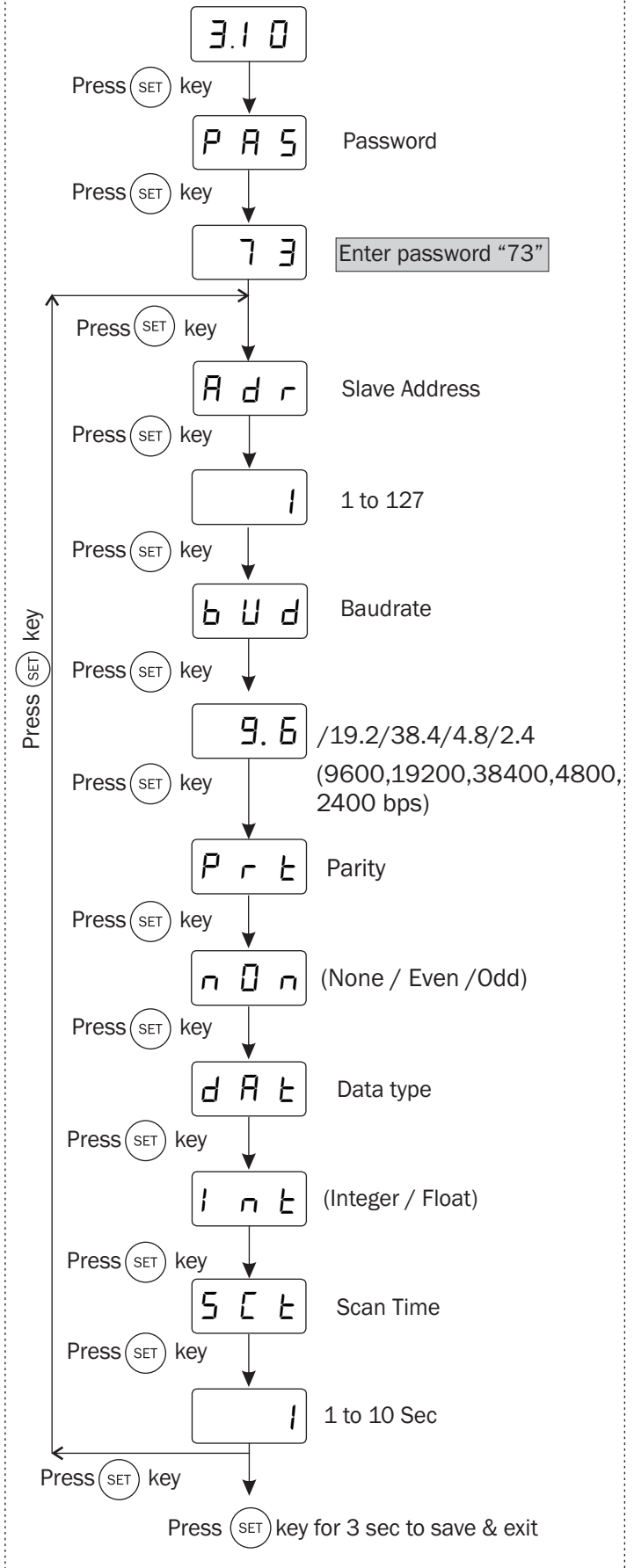
MODBUS

Slave Address	1-127
Baudrate	2400,4800,9600,19200,38400 bps
Parity	None,Even,Odd
Datatype	Integer,Float
Read Function Register	0x03,0x04
Write Function Register	0x06,0x10

Note :- When Parameter 32000 = Parameter not available

Sr.No	Access Type	Parameter	Register													
			Data Type													
			Integer	Float												
1	Read	Current Of CT 1	0	0												
2	Read	Current Of CT 2	1	2												
3	Read	Current Of CT 3	2	4												
4	Read	Current Of CT 4	3	6												
5	Read	Current Of CT 5	4	8												
6	Read	Current Of CT 6	5	10												
7	R/W	Address	8	16												
8	R/W	Baudrate	9	18												
		<table border="1"> <thead> <tr> <th>Selection</th> <th>Value</th> </tr> </thead> <tbody> <tr> <td>B 2400</td> <td>0</td> </tr> <tr> <td>B 4800</td> <td>1</td> </tr> <tr> <td>B 9600</td> <td>2</td> </tr> <tr> <td>B 19200</td> <td>3</td> </tr> <tr> <td>B 38400</td> <td>4</td> </tr> </tbody> </table>	Selection	Value	B 2400	0	B 4800	1	B 9600	2	B 19200	3	B 38400	4		
Selection	Value															
B 2400	0															
B 4800	1															
B 9600	2															
B 19200	3															
B 38400	4															
9	R/W	Parity	10	20												
		<table border="1"> <thead> <tr> <th>Selection</th> <th>Value</th> </tr> </thead> <tbody> <tr> <td>None</td> <td>0</td> </tr> <tr> <td>Even</td> <td>1</td> </tr> <tr> <td>Odd</td> <td>2</td> </tr> </tbody> </table>	Selection	Value	None	0	Even	1	Odd	2						
Selection	Value															
None	0															
Even	1															
Odd	2															
10	R/W	Datatype	11	22												
		<table border="1"> <thead> <tr> <th>Selection</th> <th>Value</th> </tr> </thead> <tbody> <tr> <td>Sign Integer</td> <td>0</td> </tr> <tr> <td>Float</td> <td>1</td> </tr> </tbody> </table>	Selection	Value	Sign Integer	0	Float	1								
Selection	Value															
Sign Integer	0															
Float	1															
11	R/W	Scan Time	12	24												

PARAMETER SETTING



Specifications are subject to change, since development is a continuous process. So for more updated operating information and Support, Please contact our Helpline: 9978991476/9978991482/9978991474 or Email at service@multispanindia.com Ver:200206