

Coral One User Manual

Ready to Rumble

Coral

Welcome to your new Coral One.

The all-in-one solution for cleaning your floors, couch, and everything in between.

Robot for the everyday.

Handheld for the here and there.

CONTENTS

01 Meet Your Coral One

- 01 Vacuum Robot
- 02 Handheld

03 Getting Started

- 03 Setting Up The Charging Dock
- 07 Preparing Your Vacuum Robot

12 Using Your Robot

- 13 Button Functions
- 15 Emptying The Dustbin

17 Using Your Handheld

- 18 Going into Handheld Mode
- 20 Returning to Robot Mode
- 21 Emptying The Dustbin

23 Maintaining Your Coral One

- 24 Replacing The Side Brush
- 25 Replacing The Main Brush
- 27 Replacing The Robot's Filter
- 29 Replacing The Handheld's Filter
- 31 Cleaning The Main Brush
- 33 Cleaning The Charging Dock

34 FAQ & Safety

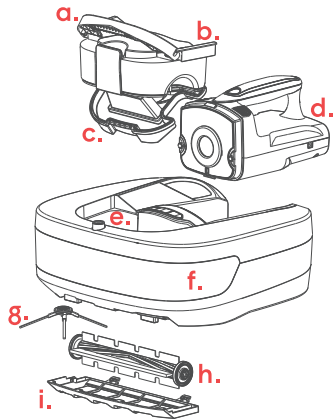
- 34 Frequently Asked Questions
- 36 Possible Errors
- 37 Safety Warnings

39 Warranty

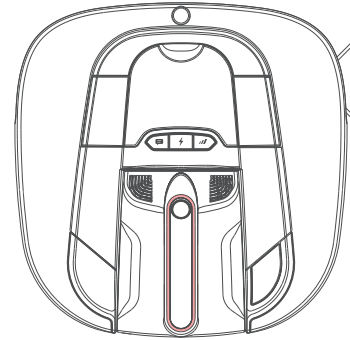
- 39 Limited One Year Warranty

To follow our Quick Start Guide online, visit www.coralrobots.com/setup

Meet Your Coral One Vacuum Robot



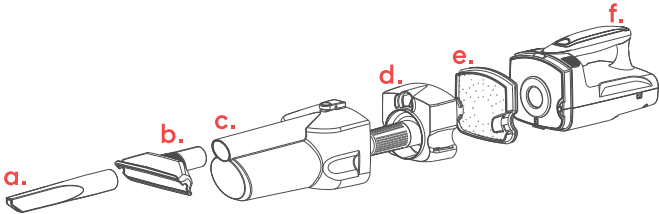
- a. Dustbin Handle
- b. Dustbin
- c. Dustbin Cover
- d. Handheld
- e. OMNI Sensor
- f. IR Sensor Lens
- g. Side Brush
- h. Main Brush
- i. Main Brush Cover



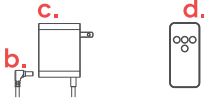
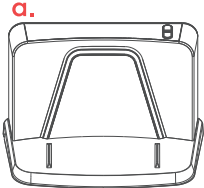
Light Indicators.

- Green: Power On
- Blue: Turbo Mode and Language Settings
- Orange: Charging and Battery Level
- Red: Error

Meet Your Coral One Handheld



- a. Crevice Tool
- b. Fabric Tool
- c. Handheld Dustbin
- d. Handheld Filter Module
- e. Filter
- f. Handheld

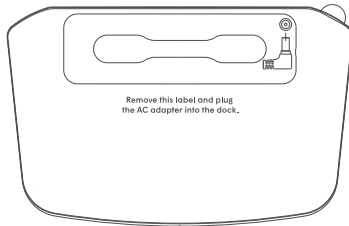


- a. Charging Dock
- b. AC Adapter Plug
- c. AC Adapter
- d. Remote Control

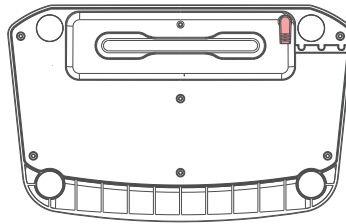
Getting Started

Setting Up Your Charging Dock

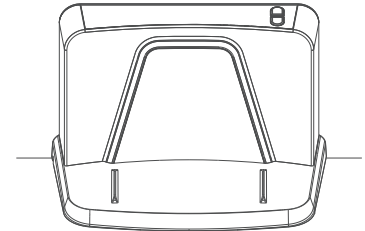
ESTABLISHING A HOME BASE



- a.** Remove the adhesive stickers on the bottom of the Coral One Charging Dock.



- b.** Plug the AC Adapter into the bottom of the Charging Dock. Wrap the cord around the base of the Dock to hide any excess wires.

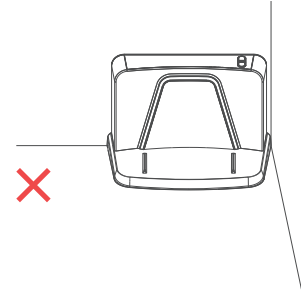
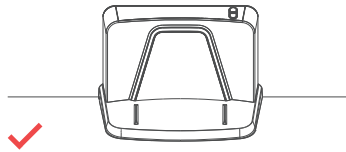
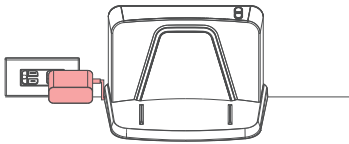


- c.** Secure the Charging Dock to the floor. This is where your Coral One will call home. For Optimal Use: Place the Charging Dock against a wall in an environment with open space (at least 2 feet of space).

Getting Started

Setting Up Your Charging Dock

ESTABLISHING A HOME BASE



d.

Plug your AC Adapter into the wall and follow the prompts on the Charging Dock's display to set current times.

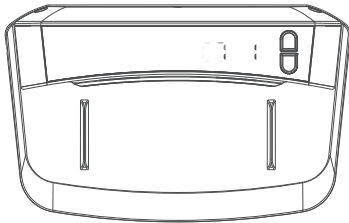
Note.

Here is an example of the most optimal area to place your Charging Dock and also where you should NOT place your Charging Dock.

Getting Started

Setting Up Your Charging Dock

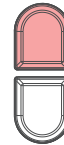
SETTING TIMES



a.

After the Charging Dock is in position and plugged into a wall, you'll be prompted to set the Current Time and set up a Daily Cleaning Schedule.

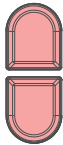
12:00



b.

Press up and down on the arrow buttons on the top of the charging dock to adjust the time.

08:00 PM



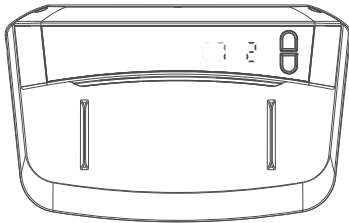
c.

Press both arrow buttons at the same time to set the time.

Getting Started

Setting Up Your Charging Dock

DAILY CLEANING SCHEDULE

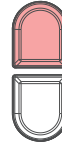


a.

After you set the time, you will be prompted to set a different time. The time you select here is the time your Coral One will begin cleaning your home everyday. Follow the in-display prompts to set a Daily Cleaning Schedule.



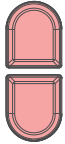
12:00



b.

Use the up and down arrow buttons to select your time and press them both at once to set the time.

OFF



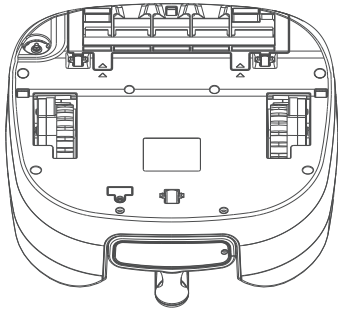
c.

If you do not wish to set a Daily Cleaning Schedule time, set it to OFF.

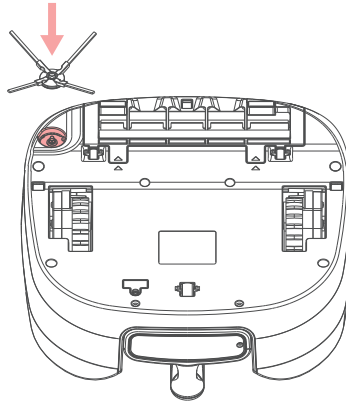
Getting Started

Preparing your Vacuum Robot

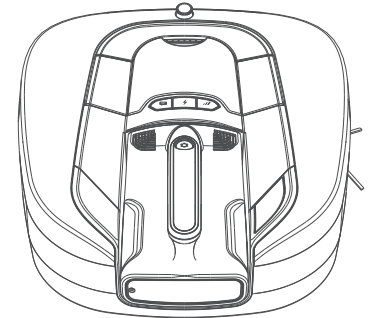
ATTACH THE SIDE BRUSH



- a.** Flip your new Coral One over so that the wheels are facing upwards.



- b.** Attach the Side Brush to its magnetic connector. You may need to twist the Side Brush until it “clicks” into place.

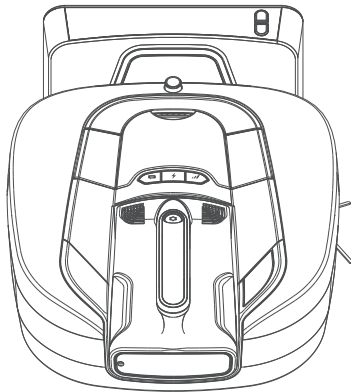


- c.** Flip your Coral One once you've attached the Side Brush.

Getting Started

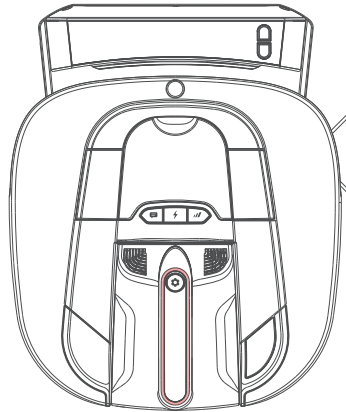
Preparing your Vacuum Robot

GETTING A FULL CHARGE



a.

Place the Coral One on its Charging Dock. You'll hear a confirmation sound when the robot is connected to the charger.



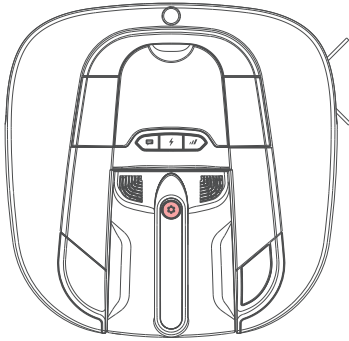
b.

An orange light will appear on the handle, indicating level of charge. When the handle is fully lit orange, the robot is ready to clean.

Getting Started

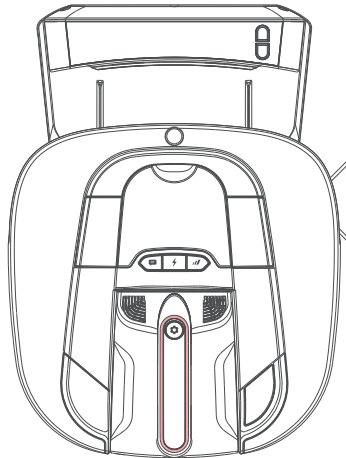
Preparing your Vacuum Robot

LET'S CLEAN! POWER ON



a.

Make sure the handheld is securely connected to the Robot and press the power button.



b.

You'll hear a start-up sound and a green light will appear on the handle.

Your Coral One is now ready to go!

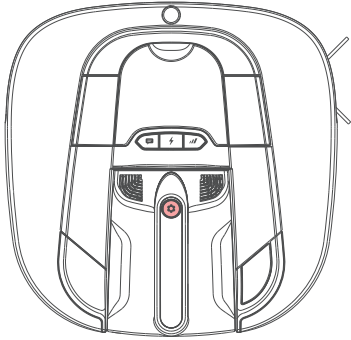
The vacuum robot will begin cleaning your home and return to its charger automatically when the battery runs low.
Enjoy the clean!

Using Your Robot

Now that you're up and running, learn the ins and outs of all your vacuum robot can do!

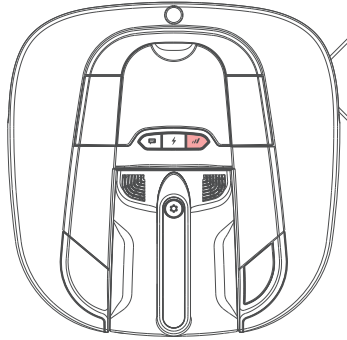
Using Your Robot

Button Functions



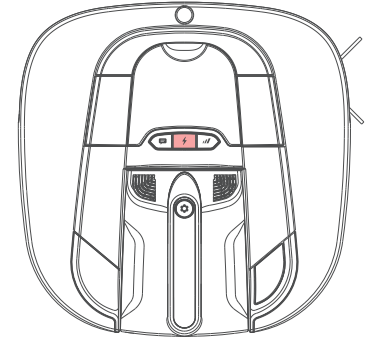
Power On & Off.

To turn on your Coral One press the Power Button (the Coral logo). To turn off your Coral One at any time, press the Power Button again.



Turbo Mode.

For an intense, short-burst clean, press the Turbo Button. Your Coral One's handle will turn blue, play a sound indicator, and clean at maximum power (approx. 20 minutes). It will begin searching for its Charging Dock automatically when the battery is low.

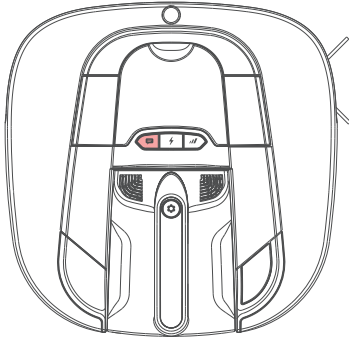


Charge It Up.

If you want your Coral One to return to the charger before it finishes a complete clean, press the Charge Button.

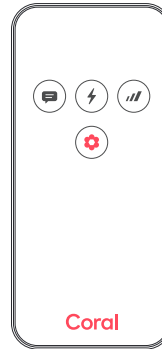
Using Your Robot

Button Functions



Language Setting.

To set/change the language of your Coral One press the Language Button. You will hear the language setting sound and the current language it is set to. Continue to press the Language Button until you reach the desired Language. Long press the Language Button to confirm.

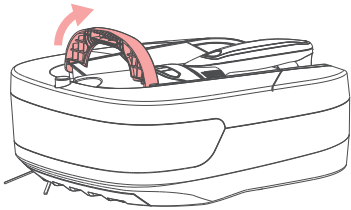


Remote Control.

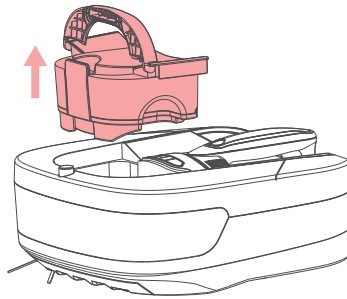
You can find all the Button Functions on your Coral One on the remote provided in the box. The Power Button, Language Button, Charging Button, and Turbo Button are all on your remote control.

Using Your Robot

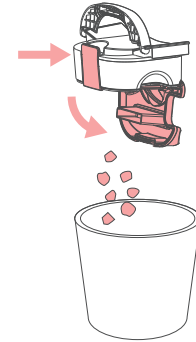
Emptying The Dustbin



a.
Lift up the Dustbin handle.



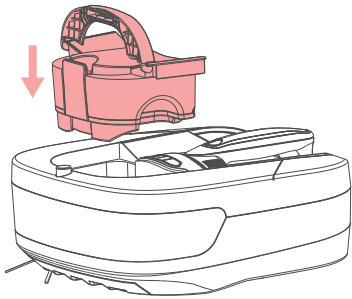
b.
Pull the dustbin out of the Robot.



c.
Hold the Dustbin over a trash bin and press the Dustbin Release Button. This latch opens the bottom of the Dustbin and will empty its contents into the trash.

Using Your Robot

Emptying The Dustbin



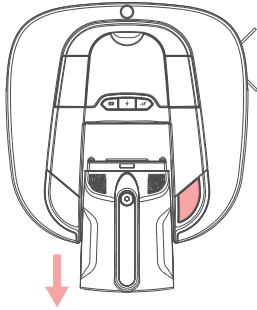
- d.**
Shut the Dustbin's door and place it back into the Robot.

Using Your Handheld

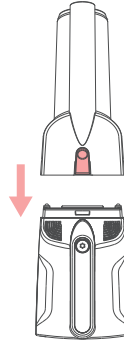
When you're ready to get to the hard-to-reach places or to take care of the details here and there, we're putting the cleaning power into your hands.

Using Your Handheld

Going into Handheld Mode



a.
Press the Handheld Release Button on your Coral One and simply pull out the Handheld.



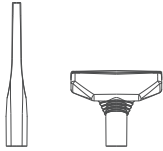
b.
Take the Handheld Dustbin out of the accessories box and attach the Handheld Dustbin using the latch on the top as a guide.



c.
Power On: Press the Power Button (Coral logo) and your Coral One will display a green light and play the startup sound.

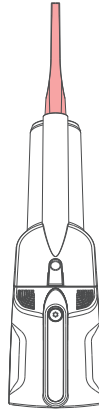
Using Your Handheld

Going into Handheld Mode



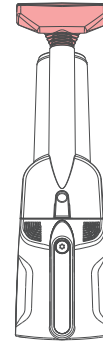
d.

Attach various accessories to the handheld to fit any cleaning condition.



e.

The crevice tool is ideal for cleaning in between couch cushions, car seats, etc.

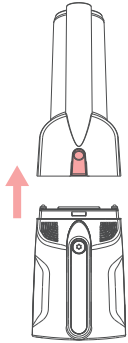


f.

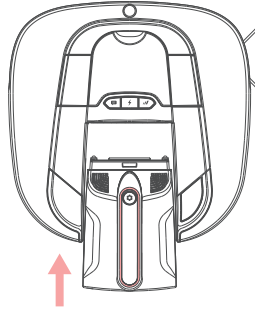
The fabric tool is ideal for cleaning couch surfaces, mattresses, etc.

Using Your Handheld

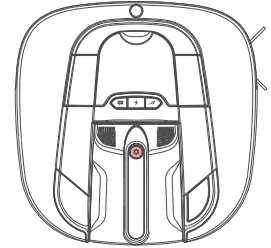
Returning to Robot Mode



- a.**
Detach the Handheld Dustbin from the Handheld.



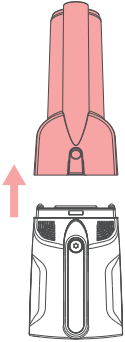
- b.**
Connect the Handheld back into the Robot. Your Coral One will display a green light and play a sound to confirm a successful connection.



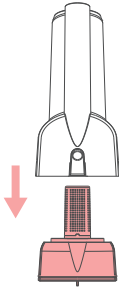
- c.**
Power On: If you wish to have the robot continue cleaning after using the handheld, press the Power Button (Coral logo) and your Coral One will display a green light and play the startup sound.

Using Your Handheld

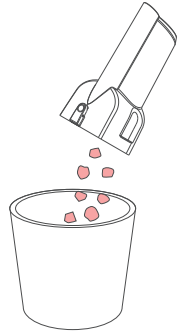
Emptying The Dustbin



a.
Detach the Handheld Dustbin from the Handheld.



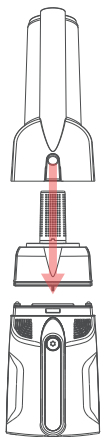
b.
Remove the Handheld Filter Module by grabbing onto the Filter from the back and pull it out.



c.
Empty contents into a trash bin.

Using Your Handheld

Emptying The Dustbin



d.

Attach the Handheld Filter Module back into the Handheld Dustbin and Attach it to the Handheld to resume use.

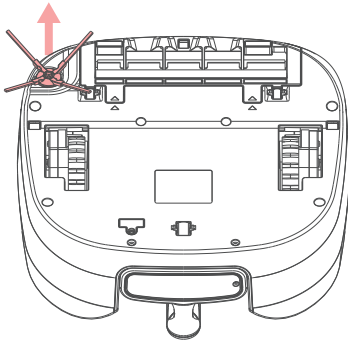
Maintaining Your Coral One

To keep your Coral One running at its best, some easy upkeep is required. Think of it as light pampering for your Robot.

Maintaining Your Coral One

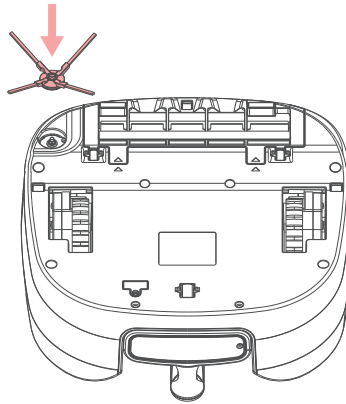
Replacing The Side Brush

(APPROX. EVERY 2 MONTHS)



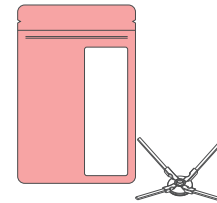
a.

Flip the Coral One so that the wheels are facing up and remove the existing Side Brush. Toss the Side Brush into a trash bin.



b.

Insert the replacement Side Brush into the magnetic connector. You may need to rotate the Side Brush to ensure that it “clicks” into place.



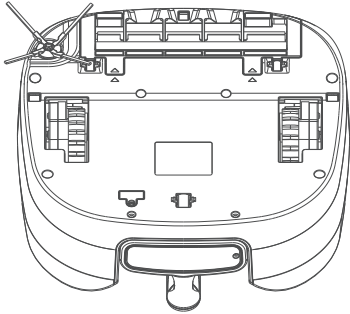
Note.

Replacement Brushes can be purchased online through our website: www.coralrobots.com

Maintaining Your Coral One

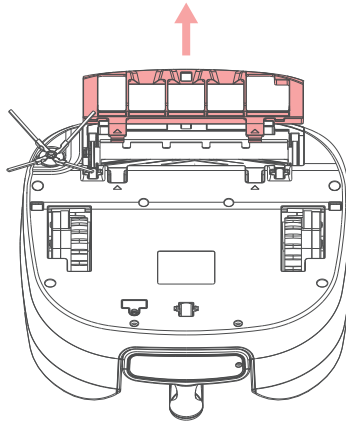
Replacing The Main Brush

(APPROX. EVERY 6 MONTHS)



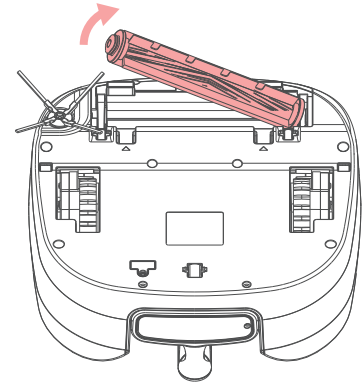
a.

Flip the Coral One so that the wheels are facing up.



b.

Remove the Main Brush Cover to access the Main Brush. Place your right and left thumbs on the indicated arrows and push the Main Brush Cover forward to pop it off.



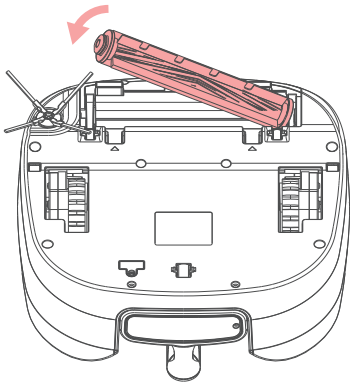
c.

Lift the black end of the Main Brush up to remove.

Maintaining Your Coral One

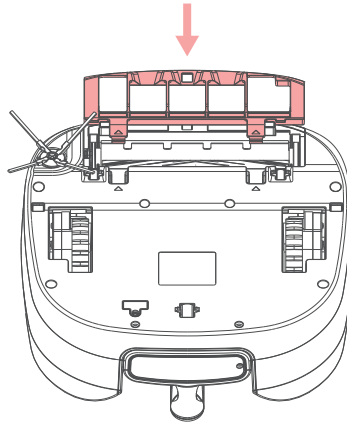
Replacing The Main Brush

(APPROX. EVERY 6 MONTHS)



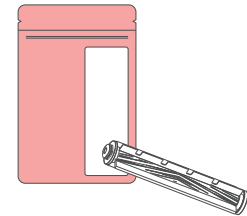
d.

Insert the new Main Brush's white end first and Align it with the matching pin. Push The Main Brush down into place.



e.

Re-attach the Main Brush Cover. Flip over the Coral One to resume use.

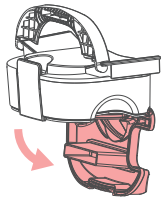


Note.

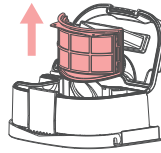
Replacement Brushes can be purchased online through our website: www.coralrobots.com

Maintaining Your Coral One

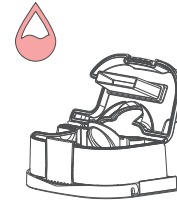
Replacing The Robot's Filter



- a.**
Empty out the Dustbin from your Coral One (see pg. 15).



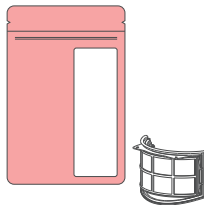
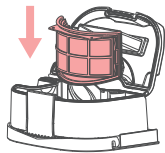
- b.**
Remove the filter by lifting it out of the Dustbin.
Toss the filter into the trash.



- c.**
Wash the Dustbin and let it dry overnight. **DO NOT** wash the Filter. Washing the Filter decreases suction power.

Maintaining Your Coral One

Replacing The Robot's Filter



d.

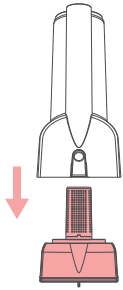
When you insert your replacement Filter back into the Dustbin, do NOT use excessive force. Each object is designed to fit into place.

Note.

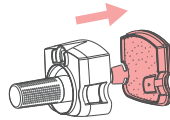
Replacement Filters can be purchased online through our website: www.coralrobots.com

Maintaining Your Coral One

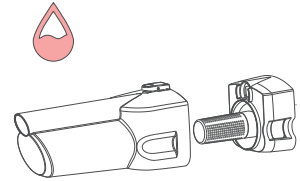
Replacing The Handheld's Filter



- a.**
Remove the Handheld Filter Module (see pg 21).



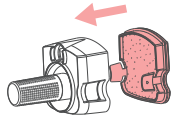
- b.**
Release the Handheld Filter by simultaneously pressing the two side tabs of the Handheld Filter Module. Pull the Handheld Filter to remove.
Toss the Handheld Filter into the trash.



- c.**
Wash the Handheld Dustbin & Handheld Filter Module and let it dry overnight. DO NOT wash the Filter.

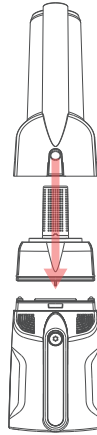
Maintaining Your Coral One

Replacing The Handheld's Filter



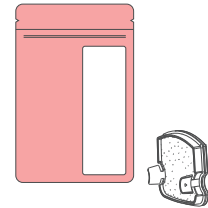
d.

To attach the new Filter to the Handheld Filter Module, press the side tabs and push the Filter into the back of the Handheld Filter Module. Use the side tabs as a guide.



e.

After cleaning and replacing the Filter, insert the Filter, Handheld Filter Module into the Handheld Dustbin and attach it to the Handheld to resume use.

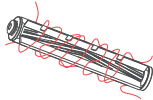


Note.

Replacement Filters can be purchased online through our website: www.coralrobots.com

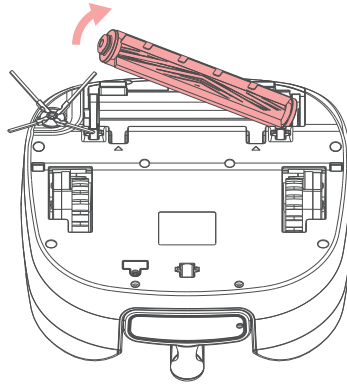
Maintaining Your Coral One

Cleaning The Main Brush



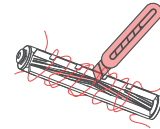
a.

Sometimes hairs, strings or cords may get lodged or tangled up in the Main Brush. Removing them is no problem.



b.

Follow the steps from page 25 for removing the Main Brush.

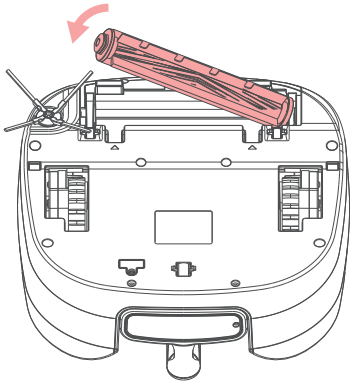


c.

Clean the Main Brush. If hairs are tangled between the bristles, running a razor blade along the Main Brush's grooves can help untangle hairs.

Maintaining Your Coral One

Cleaning The Main Brush

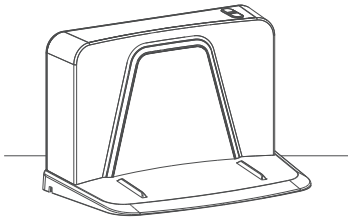


d.

Follow the steps from Page 26 to put the Main Brush back into the Coral One.

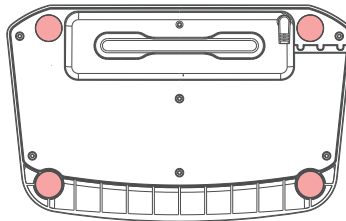
Maintaining Your Coral One

Cleaning The Charging Dock



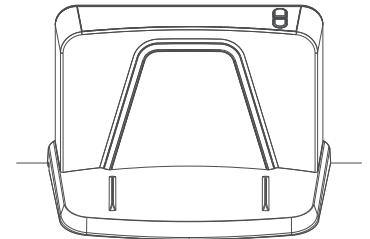
a.

There may be times where the Charging Dock loses its stickiness.



b.

Simply unplug the Dock and clean the adhesive pads with a wet cloth.



c.

After cleaning, plug the AC Adapter into the Charging Dock and secure it to the floor. You will have to reset the time and the daily schedule (see page 5).

FAQs and Safety

Frequently Asked Questions

a. Does the Handheld have enough power even after I clean my home with the Robot?

Yes! After your Robot is done cleaning your house, you still have 20 minutes of power in your Handheld to use.

b. What if my Coral One gets stuck?

Your Coral One is equipped with numerous sensors to do its best to get itself out of any situations where it might get stuck. For the few cases in which it's really unable to figure its way out, you may need to help your Robot out. Place it in an open space for cleaning. Re-arranging a few furniture items may help out as well!

c. What if my Coral One is not charging?

Your Charging Dock may be dirty, so the charging strips may be blocked. Unplug the Charging Dock, clean the dock station and try again. If that does not work, plug the AC Adapter directly into the Handheld unit. If you run into more issues, please reach out to our customer support.

d. Can I pull out the Handheld when my Coral One is not on the Charging Dock?

Yes. You can access the Handheld at any time. The Robot does not have to be on the Charging Dock.

FAQs and Safety

Frequently Asked Questions

e. Can I wash the Filters?

No. Filters cannot be washed. Washing a filter will drastically reduce its effectiveness in collecting dust and allergens. For replacement filters, please visit our website www.coralrobots.com. See page 27 in this User Manual for more information.

f. How often should I empty out the Dustbin?

We recommend emptying the Dustbin after every use. If your Dustbin is full while cleaning, your robot may not be picking up all the dust/debris.

g. My Robot is not returning to its Charging Dock. What should I do?

For optimal use, place your Charging Dock along a wall in an area with sufficient open space (at least 2-3 feet of space in front of the dock). Also, ensure that the OMNI Sensor (see page 3) on the top of the Robot is not blocked.

FAQs and Safety

Possible Errors

Your Coral One has trouble charging.

Please check your Charging Dock for any obstacles that may be blocking the charging plates. You may need to UNPLUG your dock and clean the metal charging plates with a moist cloth. Also try plugging in the AC Adapter directly into the Handheld. If the issue persists please contact our customer support.

Your Coral One is stuck.

This may happen when your Coral One runs into some obstacles that it cannot navigate around. Pick up your Coral One and place it in a safe area for cleaning. You may need to clean up or rearrange your space to clear up those obstacles. For best practices on optimizing your cleaning space, please see our blog (<http://tomorrow.coralrobots.com/>)

Your Coral One is picked up while cleaning.

The Robot will automatically power down for safety reasons. To resume cleaning, place your Robot in a safe area for cleaning and press the Power On Button.

The Dustbin is not inserted properly.

Please check that the latch on the Dustbin is closed tightly and inserted properly.

The Coral One Side Brush is jammed.

There may be hair/dust/debris tangled in the Side Brush, causing it to jam. Remove the Side Brush and clean the area around the magnetic connector.

The Main Brush is jammed.

There may be hair/dust/debris tangling the Main Brush, causing it to jam. Remove and clean the Main Brush. To do this, see page 31.

If your issues persist, please contact our customer service: support@coralrobots.com or visit our website at www.coralrobots.com

FAQs and Safety

Safety Warnings

1. Follow the warnings and instructions in this User Manual to avoid product damage and safety hazards.
2. The Coral One is intended for INDOOR use only. Product damage may occur if not used indoors. If the product is not used for its intended purpose, the warranty will be voided.
3. The Coral One is designed to clean under standard, dry operating conditions. Do not use the robot to clean up liquids, corrosive material, pet excrement, etc. Product damage may occur.
4. The Coral One is an electronic product. Do not immerse the device in water or rinse it directly with water. When the electronic components come into contact with water, product damage or electric shock may occur.
5. Any person or animal standing on the Coral One or any heavy object placed on the Coral One may damage the machine and cause it to stop working. It may also cause harm to the person, animal, or object.
6. Keep the Coral One away from any flammable or corrosive chemicals or detergents when cleaning and storing the machine to prevent fire, electric shock, or damage to the product.
7. Do not attempt to repair, remove, or adjust any mechanical or electronic functions of the machine without authorization. Any changes made to these functions can be dangerous and void your warranty.
8. Please use the included adapter. Using any other adapters may result in product damage, electric shock, or fire. Do not use a damaged power cable, otherwise electric shock or fire may occur.

FAQs and Safety

Safety Warnings

9. Before using the Robot, clean up any items on the floor, such as clothes, toys, papers, curtain cords, power cables, or fragile items. Make sure the furniture items are orderly arranged. This ensures an obstacle-free path for the robot and improves its cleaning efficiency.
10. Please check the local battery recycling policies when disposing the product and dispose it accordingly.
11. Do not use the Robot to pick up corrosive and/or hazardous chemicals.
12. Do not use the Robot to pick up anything that is burning, smoking, or emitting any type of gas.
13. This appliance is not intended for use by persons (including children) with reduced physical, sensory or mental capabilities, or lack of experience and knowledge, unless they have been given supervision or instruction concerning use of the appliance by a person responsible for their safety.
14. When attaching and detaching the Handheld from the Robot do NOT lift the Robot off the floor. Extreme motion could force the Handheld to detach from the Robot unexpectedly.
15. The Robot will move on its own. Keep all body parts away from the path of the robot as it moves.

Warranty

Limited One Year Warranty

Coral Robots, Inc. warrants this product for a period of one year from the date of purchase against original defects in materials or workmanship. Coral Robots, Inc. will replace (based on Coral Robots, Inc.'s opinion) with the same or equivalent product. Coral Robots, Inc. is not responsible for returned items' postage. This warranty does not cover damage caused by accidents, misuse, abuse, or failure to follow instructions contained in your User Manual. No refunds. Exchanges only.

Warranty Voids:

1. Using the product in any way other than specified in the User Manual will void the warranty.
2. Opening or tampering with the product's housing will void the warranty.
3. Modifying the product or housing will void the warranty.
4. Failure to operate the product in accordance with the User Manual will void the warranty.

Return and Customer Service Instructions:

1. Prior to returning a product or seeking warranty replacement, please send an email to Coral Robots, Inc. customer support email: support@coralrobots.com
2. When returning a product to Coral Robots, Inc. please follow the instructions below:
 - a. Pack the product in the original product packaging or equivalent
 - b. Enclose a copy of the original, dated Proof of Purchase

For any other questions or support you might need for your Coral One, please email support@coralrobots.com

If you have any questions regarding your Coral One,
please contact us at: support@coralrobots.com

All rights reserved.

