

UV-FN series

LD PUMPED ALL-SOLID-STATE UV LASER

All solid state UV laser is made features of high output power stability, good beam profile, ultra compact, long lifetime, low cost and easy operating, which is widely used in collimation, laser medical treatment, scientific experiment, optical instrument, etc.


SPECIFICATIONS

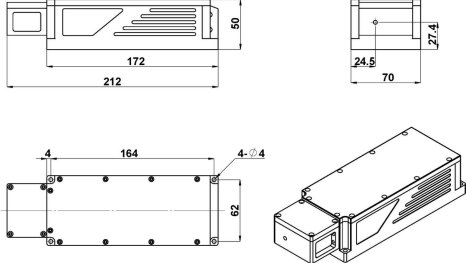
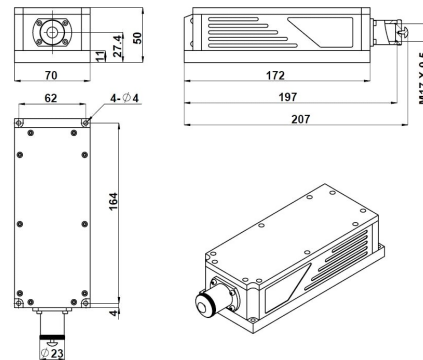
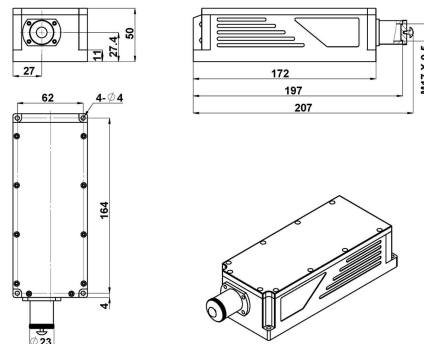
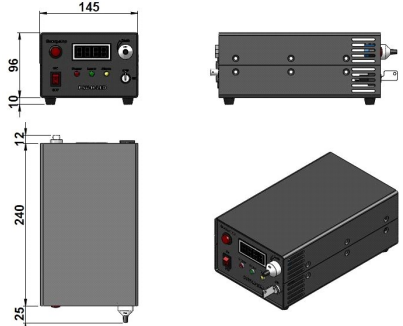
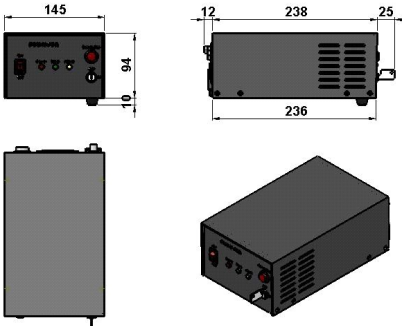
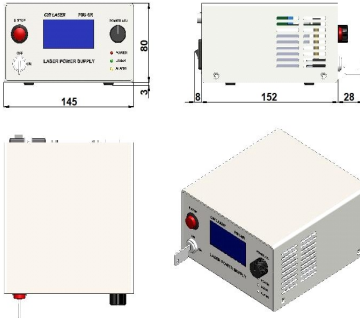
Wavelength (nm)	261±1	273±1	303±1	320±1
Operating mode	CW			
Output power (mW)	1-5	1-5	1-5	1-20
Power stability (rms, over 4 hours)	<10%	<10%	<10%	<5%, <3%
Transverse mode	Near TEM ₀₀			TEM ₀₀
M ² factor	<2.0			<1.5
Beam diameter at the aperture (1/e ² , mm)	<2.0	~1.5	<1.5	<0.5
Beam divergence, full angle (mrad)	<6.0	<1.0	<6.0	<2.5
Polarization Ratio	>50:1, Vertical (Horizontal Optional)	>50:1, Horizontal (Vertical Optional)		
Warm-up time (minutes)	<10			
Pointing stability after warm-up (mrad)	<0.05			
Beam height from base plate (mm)	27.4			
Operating Temperature (°C)	10-35			
Modulation option	TTL on/off, 1Hz-1kHz, 1kHz-10kHz, 10kHz-30kHz; and Analog modulation optional			
Power supply (90-264VAC)	PSU-H-LED/PSU-H-FDA/PSU-SR			
Warranty	1 year			

Note: The laser head needs to be used on a heat sink with good heat dissipation.

SPECIFICATIONS

Wavelength (nm)	335±1	349±1	355±1	360±1
Operating mode	CW			
Output power (mW)	1-60	1-100	1-30	1-100
Power stability (rms, over 4 hours)	<5%, <3%	<5%, <3%, <1%	<10%, <5%	<5%, <3%, <2%, <1%
Transverse mode	Near TEM ₀₀	TEM ₀₀	Near TEM ₀₀	TEM ₀₀
M ² factor	<2.0	<1.5		<1.2
Beam diameter at the aperture (1/e ² , mm)	<1.5	<1.2		
Beam divergence, full angle (mrad)	<2.5	<1.2	<1.5	<1.0
Polarization Ratio	>50:1, Horizontal (Vertical Optional)			
Warm-up time (minutes)	<10			
Pointing stability after warm-up (mrad)	<0.05			
Beam height from base plate (mm)	27.4			
Operating Temperature (°C)	10-35			
Modulation option	TTL on/off, 1Hz-1kHz, 1kHz-10kHz, 10kHz-30kHz; and Analog modulation optional			
Power supply (90-264VAC)	PSU-H-LED/PSU-H-FDA/PSU-H-OEM/PSU-SR			
Warranty	1 year			

Note: The laser head needs to be used on a heat sink with good heat dissipation.

LASER HEAD(UV-FN-261/ 273)	LASER HEAD(UV-FN-355)	LASER HEAD (UV-FN-303/ 320/ 335/ 349/ 360)
 <p data-bbox="346 747 577 771">212(L)×70(W)×50(H) mm³, 1.5kg</p>	 <p data-bbox="934 747 1165 771">197(L)×70(W)×50(H) mm³, 1.5 kg</p>	 <p data-bbox="1522 747 1753 771">197(L)×70(W)×50(H) mm³, 1.5 kg</p>
POWER SUPPLY (PSU-H-LED)	POWER SUPPLY (PSU-H-FDA)	POWER SUPPLY (PSU-SR)
 <p data-bbox="325 1299 598 1323">277 (L) ×145(W) ×106 (H) mm³, 2.6 kg</p>	 <p data-bbox="913 1299 1186 1323">275(L) ×145(W) ×104(H) mm³, 2.3 kg</p>	 <p data-bbox="1522 1299 1795 1323">188(L) ×145(W) ×83(H) mm³, 1.2kg</p>