

1064 nm Polarization Insensitive Ultra High-power Isolator up to 50W

Model #: UHPI

Description: 1064 nm Polarization Insensitive Ultra High-power Isolator

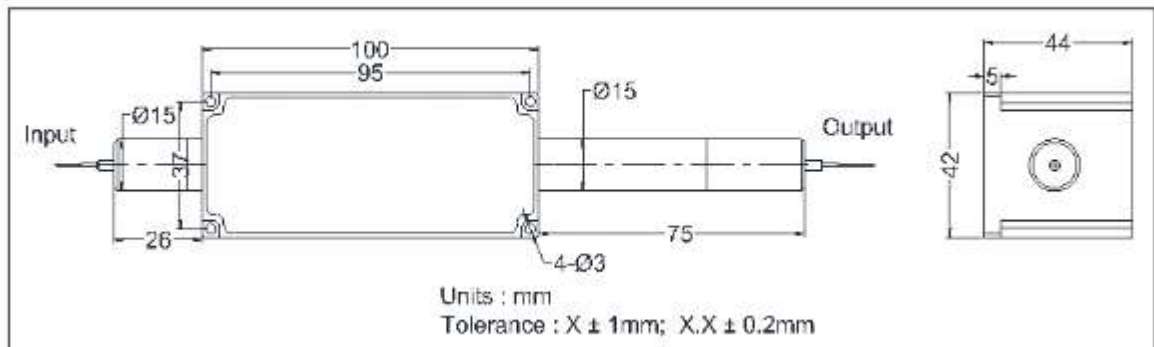
Application: Fiber amplifier, fiber laser.

Specifications:

Parameter	Unit	Specification
Central Wavelength	nm	1064
Operating Wavelength Range	nm	± 10
Min. Isolation (λ_c , 23°C, all polarization states)	dB	25
Typ. Insertion Loss (λ_c , 23°C)	dB	0.5
Max. Insertion Loss (λ_c , 23°C)	dB	0.8
Max. Polarization Dependent Loss (23 °C)	dB	0.2
Min. Return Loss (input / output)	dB	45/45
Max. Optical Power (CW)	W	50
Max. Peak Power for ns Pulses	kW	20
Max. Tensile Load	N	5
Operation Temperature	°C	10 to +50
Storage Temperature	°C	0 to +60

*Note: MMF Port is to take out useless light signal.

Package Dimensions



Order Information: UHPI-AA-BB-C-D-E-F-G

AA: wavelength	BB: power handling	C: connector type	D: fiber jacket	E: fiber length	F: fiber Type	G: power type
06 - 1064 nm	03: 3 W	N – none	B - 250 μ m Panda fiber	1 – 1.0 m	1 – HI1060	P - Pulsed
XX - Other	10: 10 W		L - 900 μ m loss tube	X - other	2 – Nuferm FUD-3584 fiber	C - CW
	20 – 20 W		X - other		3 – Nuferm LMA-GDF-20/130-M	
	XX: other				X - other	