

(2+1) x 1 Polarization Maintaining Pump & Signal Combiner

Model #: PMMPC

Description: (2+1) x 1 PM Pump & Signal Combiner, Pump Combiner with PM Signal Feedthrough

Application: PM fiber amplifier, PM fiber laser

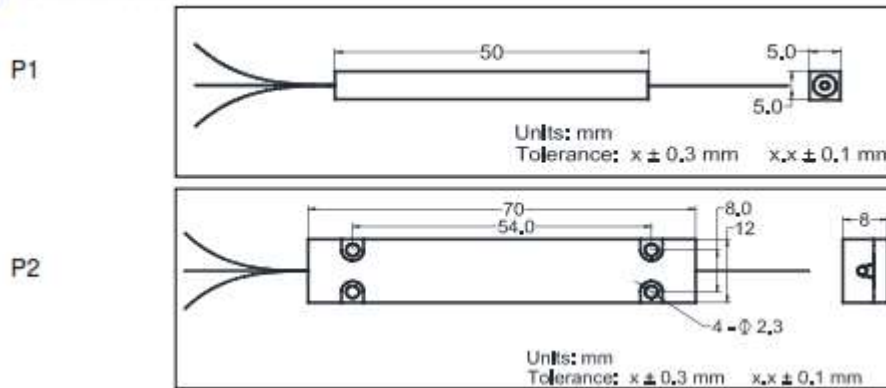
Features: High Coupling Efficiency, High Signal Transfer Efficiency, Wide Wavelength Range,
 Proprietary Pull and Package Technique, Custom Configurations Available

Specifications:

Parameter	Unit	Specifications	
Product Configuration		PM (2 + 1) x 1	
Pump Wavelength Range	nm	900 - 1000	
Signal Wavelength	nm	1060 or 1550	
Pump Channel Input Fiber	µm	Nufern 105/125 (0.15 NA or 0.22 NA)	
Signal Channel Input Fiber	µm	PM 980, PM 1550, PM-6-125 DC or PM-8/125 DC	
Output Fiber	µm	PM 6/125 DC or PM 8/125 DC	
Max. Signal Channel Insertion Loss	dB	0.5	
Min. Pump Efficiency	%	90	
Power Handling	W	2 x 5	2 x 30
Package Dimension	mm	50 (L) x 5 (W) x 5 (H)	70 (L) x 12 (W) x 8 (H)
Operating Temperature	°C	0 to +65	
Storage Temperature	°C	-40 to + 85	

Note: Mode number summation of all input fibers should be less than that of output fiber

Package Dimensions



Ordering Information: PMMPC-(2+1)x1-AA-BBB-CC-DD-EE-F-G

AA: wavelength	BBB: pump wavelength	CC: pump input fiber	DD: signal input fiber	EE: output fiber	F: fiber length	G: Package type
06 – 1060 nm	915 – 915 nm	15 – 105/125 (0.15 NA)	06 – PM 6/125 DC	06 – PM 6/125 DC	Q – 0.75 m	1 – P1
55 – 1550 nm	975 – 975 nm	22 – 105/125 (0.22 NA)	08 – PM 8/125 DC	08 – PM 8/125 DC	1 – 1.0 m	2 – P2
XX - other	XXX - other		XX - other	XX - other	X - other	