

1064 nm Polarization Maintaining Filter Wavelength Division Multiplexer

Model #: PFWDM

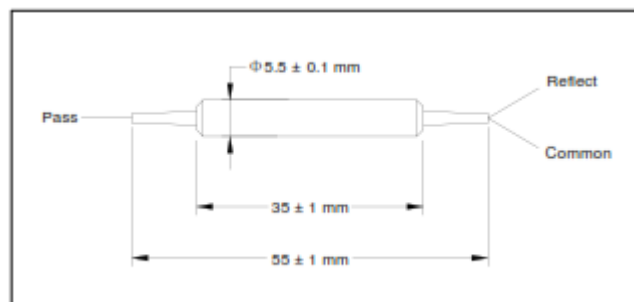
Description: 980/1064nm polarization Maintaining Filter Wavelength Division Multiplexer

Application: Fiber amplifier, fiber laser, fiber sensor, WDM module and systems, test and measurement equipment.

Specifications:

Parameter	Unit	Specifications	
Pass Band	Operating Wavelength Range	nm	980 ± 10
	Typ. Insertion Loss	dB	0.5
	Max. Insertion Loss	dB	0.7
	Typ. Isolation	dB	30
	Min. Isolation	dB	25
Reflection Band	Operating Wavelength Range	nm	1060 ± 40
	Typ. Insertion Loss	dB	0.4
	Max. Insertion Loss	dB	0.6
	Typ. Isolation	dB	15
	Min. Isolation	dB	12
Max. Polarization Dependent Loss	dB	0.1	
Min. Return Loss	dB	50	
Min. Polarization Extinction Ratio	dB	20	
Max. Optical Power (CW)	mW	300	
Max. Tensile Load	N	5	
Operating Temperature	°C	-5 to +70	
Storage Temperature	°C	-40 to + 85	
Dimension	mm	5.5 (D) x 35 (L)	
Fiber Type		PM 980 Panda fiber	

Note: each connector may contribute extra 0.5 dB IL, 5 dB lower RL and 2 dB lower ER. Keying to Slow axis.



Ordering Information: FWDMM-AAAA-B-C-D

AAAA: central wavelength	B: connector type	C: fiber jacket	D: fiber length
9806 – 980 pass / 1060 reflection	1 - FC/UPC	B - 250 μ m bare fiber	Q – 0.75 m
XXXX – other	2 - FC/APC	L - 900 μ m loss tube	X - other
	3 - SC/UPC	X - other	
	4 - SC/APC		
	N - none		
	X - other		