

Polarization Maintaining Circulator for Both Axes

Model #: PCIR

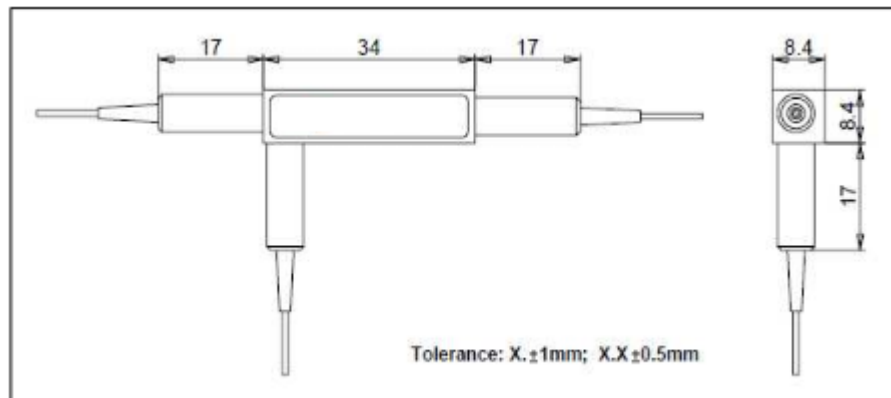
Description: Polarization Maintaining Circulator

Application: Fiber amplifier, fiber laser, test and measurement instrument

Specifications:

Parameter	Unit	Specifications
Operating Wavelength	nm	1550 ± 10
Max. Insertion Loss	dB	1.0
Min. Isolation	dB	20
Min. Polarization Extinction ratio	dB	20
Min. Crosstalk	dB	45
Min. Return Loss	dB	50
Max. Optical Power (CW)	mW	300
Max. Tensile Load	N	5
Operating Temperature	°C	0 to +40
Storage Temperature	°C	-40 to + 85
Dimension	mm	34 (L) x 8.4 (W) x 8.4 (H)
Fiber Type		PM Panda fiber

Note: each connector may contribute extra 0.3 dB IL, 5 dB lower RL and 2 dB lower ER. Keying to slow axis.



Ordering Information:

Beam Combiner PCIR-AA-B-C-D-E

AA: wavelength	B: connector type	C: fiber jacket	D: fiber length	E – polarization status
55 – 1550 nm	1 - FC/UPC	B - 250µm Panda fiber	Q-0.75m	B – both axes working
XX - other	2 - FC/APC	L - 900 µm loss tube	X-other	
	3 - SC/UPC	X - other		
	4 - SC/APC			
	N - none			
	X - other			