

Mini Manual Variable Attenuator

Model #: MVOA

Description: Mini Manual Variable Attenuator

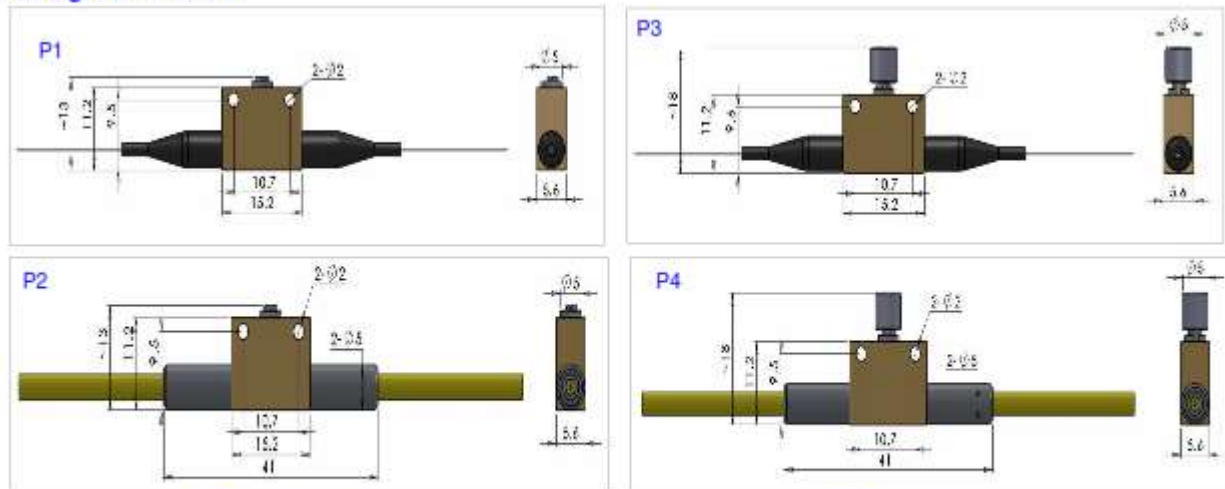
Application: Optical test and measurement instrument

Specifications:

Parameter	Unit	Specifications	
Central Wavelength	nm	780 or 850	980 or 1064
Operating Wavelength Range	nm	± 10	± 20
Max. Access Loss	dB	1.0	0.6
Max.WDL (23°C, minimum attenuation)	dB	0.3	
Min. Attenuation Range	dB	30	
Resolution within 10 dB Attenuation Range	dB	0.1	
Min. Polarization Extinction Ratio (PM only)	dB	20	
Max. PDL (SM fiber only, 23°C, minimum attenuation)	dB	0.05	
Max. TDL (λ_c , attenuation ≤ 30 dB)	dB	0.01	
Min. Return Loss (input / output)	SM or PM fiber	50	
	MM fiber	25	
Max. Optical Power (CW))	mW	300	
Max. Tensile Load	N	5	
Operating Temperature	°C	0 to +70	
Storage Temperature	°C	-40 to + 85	

Note: each connector may contribute extra 0.5 dB IL, 5 dB lower RL, 2 dB lower polarization extinction ratio.

Package Dimensions



Screwdriver type

Manual type

tolerance: x— ± 1 mm ,x.x— ± 0.1 mm

* Note: Package type P1&P3 is designed for 250um or 900um fiber jacket and Package type P2&P4 is designed for 2mm or 3mm fiber jacket.

Ordering Information: MVOA-AAAA-B-C-D-E-F

AAAA: central wavelength	B: fiber type	C: connector type	D: fiber jacket	E: fiber length	G: package type
0780 - 780 nm	H – HI fiber	1 - FC/UPC	B - 250µm Panda fiber	Q – 0.75 m	P1 – P1
0850 – 850 nm	P – Panda fiber	2 - FC/APC	L - 900 µm loss tube	1 – 1.0 m	P2 – P2
0980 – 980 nm	1 – 105/125 N.A. 0.22	3 - SC/UPC	C – 3 mm cable		P3 – P3
1064 – 1064 nm	5 – 50/125	4 - SC/APC	2 – 2 mm cable		P4 – P4
XX - Other	6 – 62.5/125	N - none			
	X - other	X - other			