

Multimode Polarization Insensitive Fiber Circulator at 980 nm

Model #: MMCIR-98

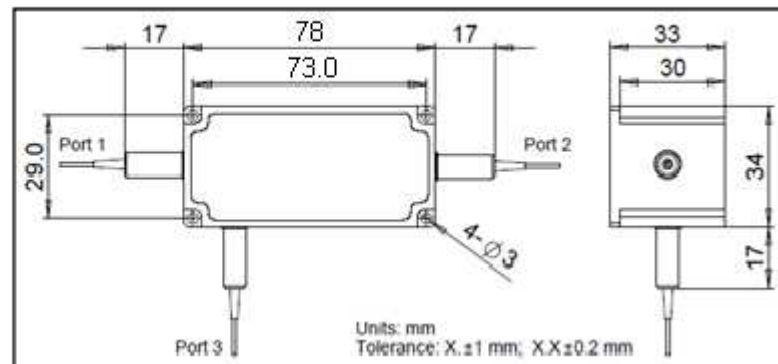
Description: 3-port Multimode Polarization Insensitive Fiber Circulator at 980 nm

Application: Fiber laser, fiber sensor, instrumentation

Specifications:

Parameter	Unit	Specifications
Operating Wavelength	nm	980 ± 10
Typ. Insertion Loss, 23°C	dB	1.8
Max. Insertion Loss, 23°C	dB	2.0
Min. Isolation, 23°C, all polarization status	dB	20
Min. Crosstalk (1 → 3)	dB	25
Min. Return Loss	dB	25
Minimum Directivity (1 → 3, 2 → 4)	dB	50
Max. Optical Power (CW)	W	5
Max. Peak Power for ns pulse	kW	2
Max. Tensile Load	N	5
Operating Temperature	°C	10 to +50
Storage Temperature	°C	-10 to +60
Dimension	mm	67 x 33 x 34
Fiber Type		Multimode fiber, 50/125 μm (NA0.2)

Package Dimensions



Ordering Information:

MMCIR-AA-B-C-D-E

AA: wavelength	B: connector type	C: fiber jacket	D: fiber length	E: power type
98 – 980 nm	N – no connector	B - 250μm bare fiber	1 - 1.0	P – pulse application
	1 – FC/PC	L - 900 μm loss tube	X-other	C – continuous wave
	2 – FC/APC	X - other		
	3 – SC/UPC			
	4 – SC/APC			
	X - other			