

## 785 nm Single Longitudinal Mode Infrared Diode Laser

**Model #:** MDL-III-785L

**Description:** It features ultra-compact design, long lifetime, cost-effective and easy operation.

**Application:** Raman spectroscopy, speckle interferometry, bioinstrumentation, metrology, sensing, analytical instrumentation

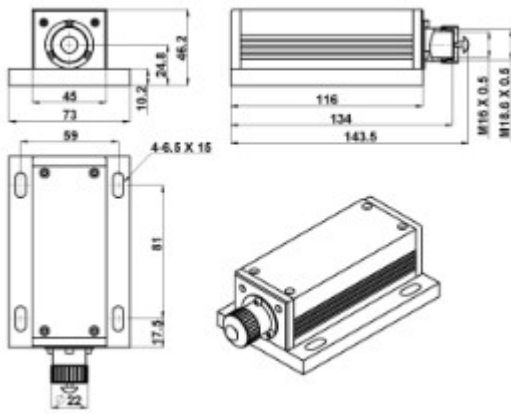
### Specifications

Wavelength (nm)	785 ± 1
Operation Mode	CW
Output Power after Fiber (mW)	>10, 20, ..., 80
Power Stability (rms, over 4 hours)	<1%, <2%, or <3%
Transverse Mode	Near TEM <sub>00</sub>
Longitudinal Mode	Single
Spectral Linewidth (MHz)	<50
Coherence Length (m)	>2
M <sup>2</sup> Factor	<1.5
Beam Diameter at Aperture (mm)	<3
Beam Divergence, full angle (mrad)	<1.2
Polarization Extinction Ratio	>50:1 (>100:1 optional), Horizontal ± 5°
Warm-up Time (minutes)	<5
Beam Height from the Base Plate (mm)	24.8
Operating Temperature (C°)	10 ~ 35
Power Supply (85 ~ 264 VAC)	PSU-III-FDA, PSU-III-LED
Expected Lifetime (hours)	10000
Warranty Period	1 year

### Ordering Information: MDL-III-785L-AA-B-C

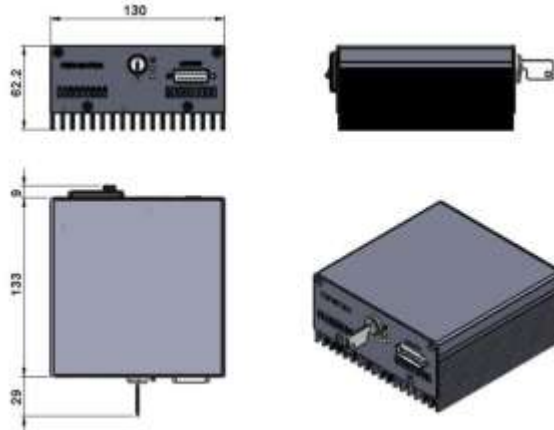
AA: maximum output power	B: power stability	C: power driver
10 - 10 mW	1 - 1%	1 - PSU-III-FDA
.....	2 - 2%	2 - PSU-III-LED
80 - 80 mW	3 - 3%	
X - other		

## MDL-III-785L



143.5(L)x73(W)x46.2(H) mm<sup>3</sup>, 0.7kg

## PSU-III-FDA



171(L)x130(W)x62.2(H) mm<sup>3</sup>, 1.2 kg

