

Narrow Line Width MDL-E Series Diode Lasers

We are offering the following MDL-E series lasers that feature ultra-narrow spectral line width < 0.03nm and are ideal for applications in DNA sequencing, flow cytometry, digital imaging, analytical chemistry, particle measurement, confocal microscopy, Raman spectroscopy etc.. Housed in an ultra-compact package, these lasers are perfect tools for OEM instrumentation, system design and integration, and also research and development.

◆Specifications:

Wavelength (nm)	Output Power (mW)	Wavelength (nm)	Output Power (mW)
375	1~20	637	1~30
400	1~100	640	1~30
405	1~100	655	1~30
410	1~100	660	1~30
415	1~100	705	1~10
442	1~30	730	1~10
445	1~30	785	1~20
447	1~30	808	1~20
450	1~30	830	1~30
454	1~30	915	1~30
460	1~100	940	1~30
488	1~80	975	1~30
515	1~10	980	1~30
520	1~10	1060	1~40
633	1~20	1064	1~40

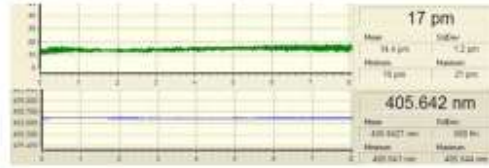
Order info: the model number of a laser is MDL-E-X-Y-Z. X stands for wavelength; Y stands for output power; Z stands for power stability.



***Features of MDL-E series lasers:**



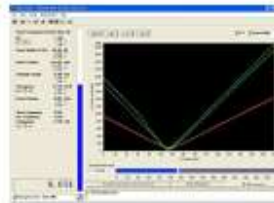
Long term output power stability



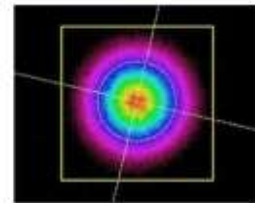
Long term linewidth/ wavelength stability



Spectrum measurement

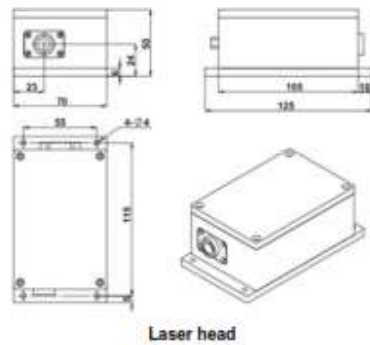


M² measurement <1.5

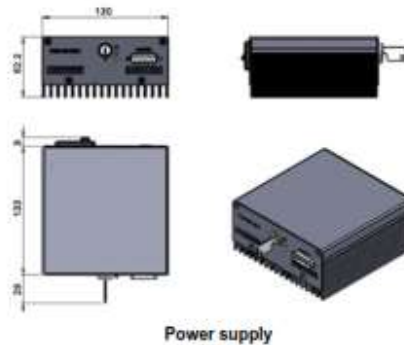


Beam profile of SM fiber output

***Dimensions of laser and power supply (mm):**



Laser head



Power supply

Fiber coupled laser head dimension

