

## 830 nm Polarization Insensitive High Power Isolator

Model #: HPI

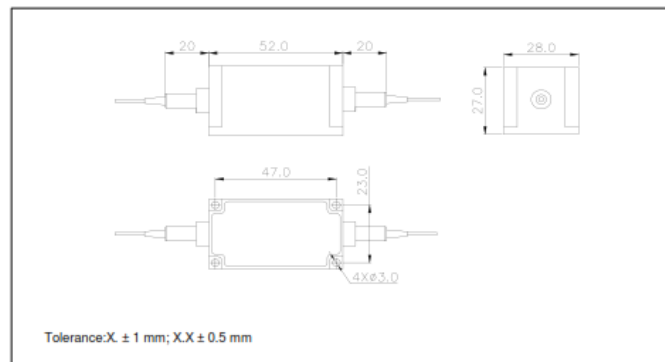
Description: 830 nm Polarization Insensitive High Power Isolator

Application: Fiber amplifier, fiber laser.

Specifications:

Parameter	Unit	Specifications	
		P-grade	A-grade
Central Wavelength	nm	830	
Min. Isolation ( $\lambda_c$ , 23°C, all polarization states)	dB	22	20
Typ. Insertion Loss ( $\lambda_c$ , 23°C)	dB	1.3	1.6
Max. Insertion Loss ( $\lambda_c$ , 23°C, all polarization states)	dB	1.6	1.8
Min. Return Loss (input / output)	dB	50/50	45/45
Max. Polarization Dependent Loss	dB	0.15	0.2
Max. Optical Power (CW)	mW	500	
Max. Tensile Load	N	5	
Operating Temperature	°C	-5 to +40	
Storage Temperature	°C	-40 to + 85	
Dimension	mm	28 (W) x 27 (H) x 52 (L)	
Fiber Type		HI 780 SM Fiber	

\*IL is 0.5 dB higher and RL is 5 dB lower for each connector added.



### Ordering Information:

**Single Stage: HPI-AA-B-C-D-E**

AA: wavelength	B: grade	C: connector type	D: fiber jacket	E: fiber length
83 - 830 nm	A: A grade	1 – FC/UPC	B - 250 $\mu$ m Panda fiber	1 – 1.0 m
XX - Other	P: P grade	2 – FC/APC	L - 900 $\mu$ m loss tube	X - other
	XX: other	3 – SC/UPC	X - other	
		4 – SC/APC		
		N – none		
		X - other		