

1064 nm High Power Polarization Maintaining Dual Stage Isolator

Model #: HPMDI

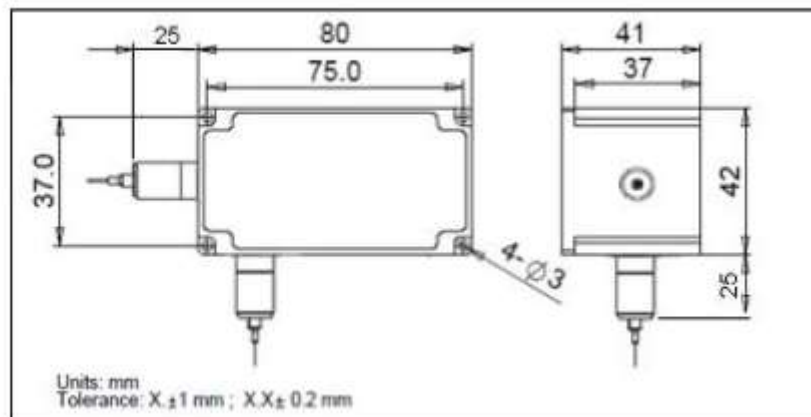
Description: 1064 nm High Power Polarization Maintaining Dual Stage Isolator

Application: Fiber amplifier, fiber laser

Specifications:

Parameter	Unit	Specifications
Operating Wavelength	nm	1064 +/- 10
Min. Isolation (λ_c , 23°C)	dB	45
Typ. Insertion Loss (λ_c , 23°C)	dB	0.8
Max. Insertion Loss (λ_c , 23°C)	dB	1.0
Min. Return Loss (input / output)	dB	45
Min. Polarization Extinction Ratio	dB	20
Max. Optical Power (CW)	W	10
Max. Peak Power for ns Pulses	kW	10
Max. Tensile Load	N	5
Dimension	mm	80 (W) x 41 (H) x 42 (L)
Operating Temperature	°C	10 - 50
Storage Temperature	°C	0 - 60

Package Dimensions



Ordering Information:

Single Stage: HPMDI-AA-BB-C-D-E-F-G-H

AA: wavelength	BB: power handling	C: connector type	D: fiber jacket	E: fiber length	F: working axis	G: fiber type	H: power type
06 - 1064 nm	01 - 1 W	N - none	B - 250µm Panda fiber	1 - 1.0 m	F - fast axis blocked	1 - PM 980 panda	P - Pulsed
XX - Other	03 - 3 W		L - 900 µm loss tube	X - other		2 - Nufern-FUD-3460	C - CW
	05 - 5 W		X - other			3-Nufern-PLMA-GDF-20/130-M	
	10 - 10 W					X - other	
	XX: other						