

High Power Polarization Maintaining Fiber Circulator at 980 nm

Model #: HPMCIR-980

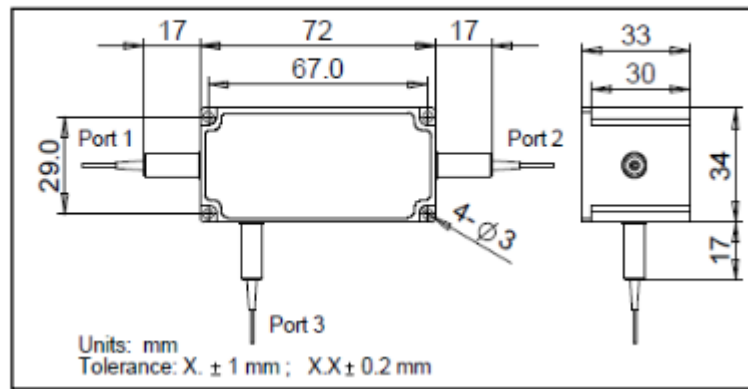
Description: 3-port High Power Polarization Maintaining Fiber Circulator at 980 nm

Application: Fiber laser, fiber sensor, instrumentation

Specifications:

| Parameter | Unit | Specifications |
|---|------|--------------------|
| Operating Wavelength | nm | 980 ± 10 |
| Typ. Insertion Loss, 23°C | dB | 1.3 |
| Max. Insertion Loss, 23°C | dB | 1.6 |
| Min. Isolation, 23°C, all polarization status | dB | 20 |
| Min. Crosstalk | dB | 45 |
| Min. Return Loss | dB | 45 |
| Max. Polarization Extinction Ratio | dB | 18 |
| Max. Optical Power (CW) | mW | 500 |
| Max. Tensile Load | N | 5 |
| Operating Temperature | °C | 10 to +50 |
| Storage Temperature | °C | 0 to +60 |
| Dimension | mm | 72 x 33 x 34 |
| Fiber Type | | PM 980 Panda Fiber |

Package Dimensions



Ordering Information:

HPMCIR-AA-B-C-D-E

| AA: wavelength | B: connector type | C: fiber jacket | D: fiber length | E: working axis |
|----------------|-------------------|----------------------|-----------------|-----------------------|
| 98 – 980 nm | 1 – FC/UPC | B - 250µm bare fiber | 1 - 0.75 | F – fast axis blocked |
| XX - Other | 2 – FC/APC | L - 900 µm loss tube | X-other | B – both axis working |
| | 3 - SC/UPC | X - other | | |
| | 4 – SC/APC | | | |
| | N – no connector | | | |
| | X - other | | | |
| | | | | |