

High Power PM Fiber Circulator at 1064 nm

Model #: HPMCIR

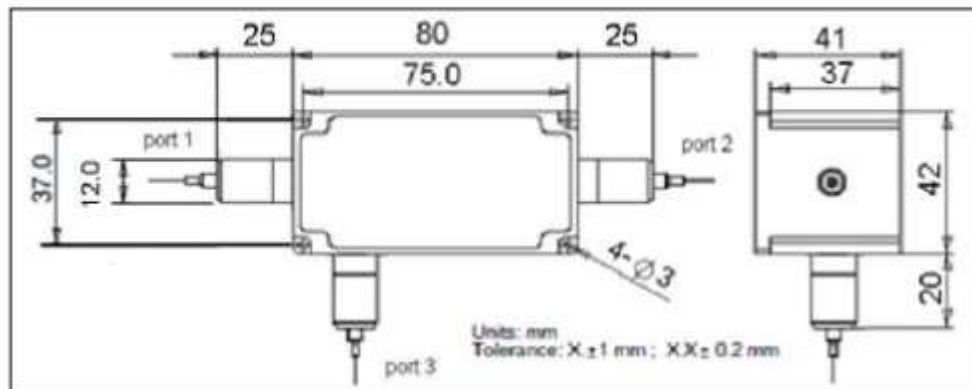
Description: High Power Polarization Maintaining Fiber Circulator at 1064 nm

Application: Fiber amplifier, fiber laser, fiber sensor, WDM module and systems

Specifications:

Parameter	Unit	Specifications
Operating Wavelength	nm	1064+/-10
Typ. Insertion Loss	dB	0.8
Max. Insertion Loss, λ_c , 23°C	dB	1.0
Typ. Isolation	dB	25
Min. Isolation, λ_c , 23°C	dB	22
Min. Polarization Extinction Ratio	dB	20
Min. Crosstalk	dB	45
Min. Return Loss	dB	45
Max. Optical Power (CW)	W	10
Max. Peak Optical Power for ns Pulse	kW	10
Max. Tensile Load	N	5
Tap Ratio	%	1 ± 0.5
Dimension	mm	60 x 40 x 29
Fiber Type		PM980 Panda Fiber
Operating Temperature	°C	10 to +50
Storage temperature	°C	0 to +60

Package Dimensions



Ordering Information: HPMCIR-AA-BB-C-D-E-F-G-H

AA: wavelength	BB – power handling	C: connector type	D: fiber jacket	E: fiber length	F: working axis	G: fiber type	H – power type
06 – 1064 nm	03 – 3W	N – no connector	B – 250 μ m bare fiber	1 - 1.0	F – fast axis blocked	1 – PM980 panda fiber	P – pulsed signal
XX - other	10 – 10 W		L – 900 μ m loss tube	X-other	B – both axes working	2 – Nufern-FUD-3460	C – continuous wave
	XX - other		X - other			3 – Nufern-PLMA-GDF-20/130-M	