

High Power Polarization Insensitive Fiber Circulator at 980 nm

Model #: HPCIR-980

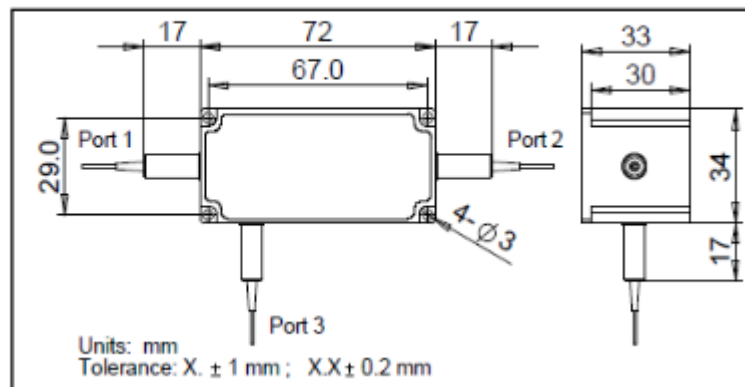
Description: 3-port High Power Polarization Insensitive Fiber Circulator at 980 nm

Application: Fiber laser, fiber sensor, instrumentation

Specifications:

Parameter	Unit	Specifications
Operating Wavelength	nm	980 ± 10
Typ. Insertion Loss, 23°C	dB	1.3
Max. Insertion Loss, 23°C	dB	1.8
Min. Isolation, 23°C, all polarization status	dB	20
Min. Crosstalk	dB	45
Min. Return Loss	dB	50
Minimum Directivity (1 → 3, 2 → 4)	dB	50
Max. Polarization Dependent Loss	dB	0.2
Max. Wavelength Dependent Loss	dB	0.0
Max. Optical Power (CW)	mW	500
Max. Tensile Load	N	5
Operating Temperature	°C	10 to +50
Storage Temperature	°C	-10 to +60
Dimension	mm	67 x 33 x 34
Fiber Type		HI 1060

Package Dimensions



Ordering Information:

HPCIR-AA-BB-C-D-E

AA: wavelength	BB: power handling	B: connector type	C: fiber jacket	D: fiber length
98 – 980 nm	05 – 500 mW	N – no connector	B - 250µm bare fiber	1 - 1.0
			L - 900 µm loss tube	X-other
			X - other	