

2000 nm Filter Wavelength Division Multiplexer

Model #: FWDM

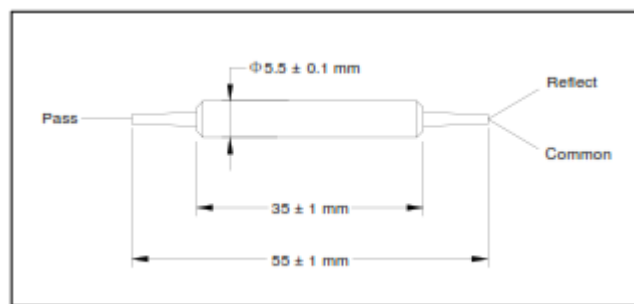
Description: 2000/1570 nm Filter Wavelength Division Multiplexer

Application: Fiber amplifier, fiber laser, fiber sensor, WDM module and systems, test and measurement equipment.

Specifications:

Parameter		Unit	Specifications	
Pass Band	Operating Wavelength Range	nm	2000 ± 50	
	Typ. Insertion Loss	dB	0.6	
	Max. Insertion Loss	dB	0.8	
	Typ. Isolation	dB	30	
	Min. Isolation	dB	25	
Reflection Band	Operating Wavelength Range	nm	1570 ± 10	
	Typ. Insertion Loss	dB	0.6	
	Max. Insertion Loss	dB	0.8	1.3
	Typ. Isolation	dB	15	
	Min. Isolation	dB	12	
Typ. Polarization Dependent Loss		dB	0.1	
Max. Polarization Dependent Loss		dB	0.2	
Min. Return Loss		dB	50	
Thermal Stability		dB/°C	0.005	
Max. Optical Power (CW)		mW	300	
Max. Tensile Load		N	5	
Operating Temperature		°C	-5 to +70	
Storage Temperature		°C	-40 to + 85	
Dimension		mm	5.5 (D) x 35 (L)	
Fiber Type			SMF-28 (all ports) or SM 1950 (all ports)	SMF-28 for reflect port and SM 1950 for common & pass ports

Note: each connector may contribute extra 0.3 dB IL, 5 dB lower RL.



Ordering Information: FWDM-AAAA-B-C-D

AAAA: central wavelength	B: fiber type	C: connector type	D: fiber jacket	E: fiber length
2057 – 2000 pass / 1570 reflection	1 – SMF-28 fiber (all ports)	1 - FC/UPC	B - 250µm bare fiber	1 – 1.0 m
XXXX – other	2 – SM 1950 fiber (all ports)	2 - FC/APC	L - 900 µm loss tube	X - other
	3 - SMF-28 for reflect port and SM	3 - SC/UPC	X - other	

	1950 for common & pass ports			
		4 - SC/APC		
		N - none		
		X - other		