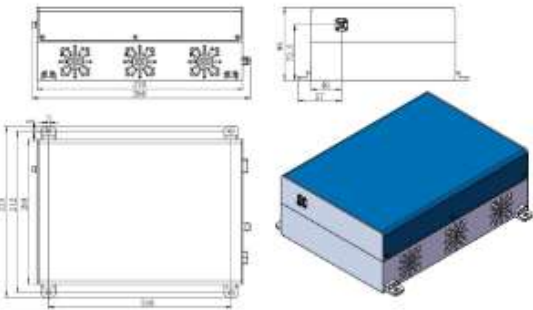
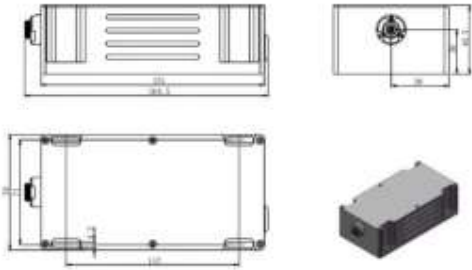
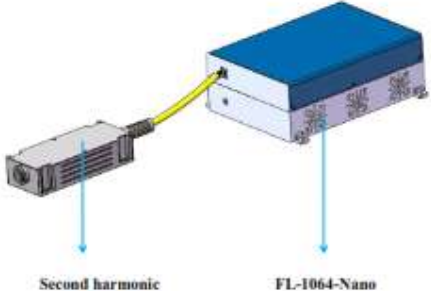


FL-532-Nano/1W~20W
SPECIFICATIONS
HIGH FREQUENCY ALL-FIBER PULSED LASER

High-frequency all-fiber pulsed laser at 532nm is made features of high output power stability, good beam profile, ultracompact, long lifetime, low cost, and easy operation, which is widely used in laser drilling, glass engraving, material processing, scientific research, etc.

Wavelength (nm)	532±1						
Operating mode	Pulsed						
Output power (W)	0.01	0.1	0.5	1.0	10	15	20
Power stability (rms, over 4 hours)	<2%, <3%						
Pulse width(ns)	One fixed value within 0.5-50ns				4, 8, 14, 20, 30 selectable		
M ² factor	<1.8				<1.3		
Repetition frequency (KHz)	One fixed value within100-1000				20 - 1000		
Polarization ratio	> 15dB						
Warm-up time (minutes)	<15						
Delivery cable length(m)	variable					4	
Operating temperature (°C)	15~35						
Power supply	220V AC / 12V DC				220V AC / 24V DC		
Expected lifetime (hours)	10000						
Warranty	1 year						



FL-1064-Nano	Second Harmonic	FL-532-Nano
 <p>286(L)×224(W)×95 (H) mm³, 3kg</p>	 <p>164.5(L)×78(W) ×46.5(H) mm³,1.1kg</p>	 <p>Second harmonic FL-1064-Nano</p>