

850 nm Polarization Insensitive Circulator

Model #: CIR

Description: 850 nm Polarization Insensitive 3-port Circulator

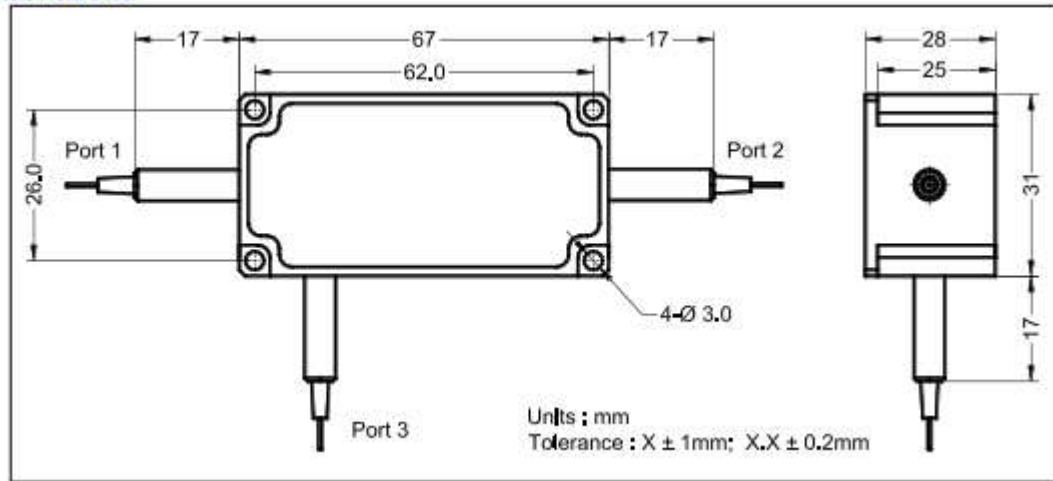
Application: Fiber amplifier, fiber laser.

Specifications:

Parameter	Unit	Specifications
Operating Wavelength	nm	850 ± 10
Max. Insertion Loss	dB	1.6
Min. Isolation, 23°C (P2->P1; P3->P2)	dB	20
Min. Directivity	dB	45
Min. Return Loss	dB	45
Max. Polarization Dependent Loss	dB	0.2
Max. Optical Power (CW)	mW	1000
Max. Tensile Load	N	5
Operating Temperature	°C	10 to +50
Storage Temperature	°C	0 to +60
Dimension	mm	67 (L) x 31 (W) x 28 (H)

Note: each connector may contribute extra 0.5 dB IL, 5 dB lower RL.

Package Dimensions



Ordering Information: CIR-AA-B-C-D

AA: wavelength	B: connector type	C: fiber jacket	D: fiber length	E: fiber type
85-850 nm	1 - FC/UPC	B - 250µm Panda fiber	1 – 1.0 m	1 – Corning HI780
XX - Other	2 - FC/APC	L - 900 µm loss tube	X - other	2 - <<F 50/125 um (NA0.2)
	3 - SC/UPC	T - 900 µm tight buffer		X - other
	4 - SC/APC			
	N - none			
	X - other			