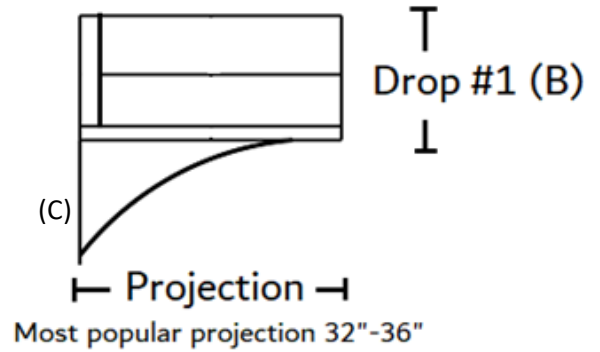
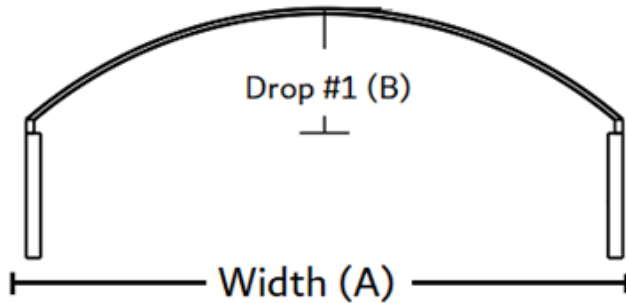


## Eyebrow Awning Dimension Worksheet

Provide us with a few measurements and we will create a set of awning measurements and an estimate based on your choices.

### Eyebrow Awning Style



We will need a paper or cardboard templet to match exact radius.

#### Design Your Awning

Width (A) \_\_\_\_\_

Scrolls Drop (example 24") (C) \_\_\_\_\_

Drop #1 (B) \_\_\_\_\_

Projection (D) \_\_\_\_\_

**Metal type:** Circle one    Natural copper    Aluminum colors

**Scroll design:** Circle one    No Scrolls    or    Single    Double    Lazy    Smith    ( on tab)

Additional comments:

#### Your information

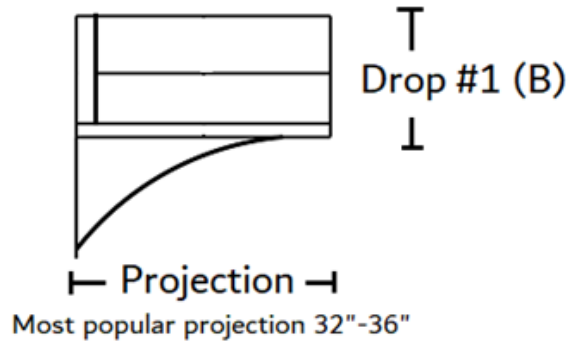
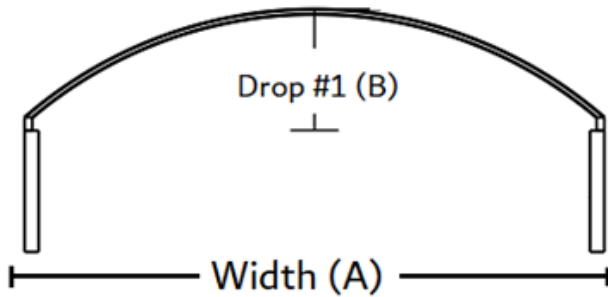
Name: \_\_\_\_\_ Phone: \_\_\_\_\_

Email address: \_\_\_\_\_

City, State, ZIP code \_\_\_\_\_

**Popular measurements for doors and windows**

**Eyebrow Awning Style**

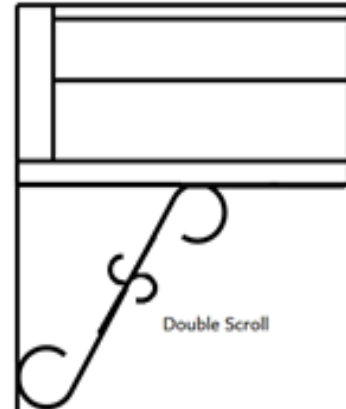
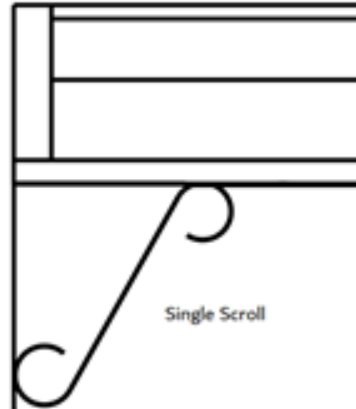
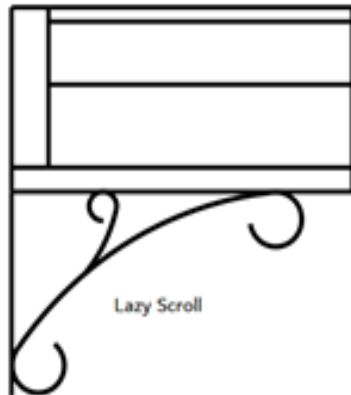
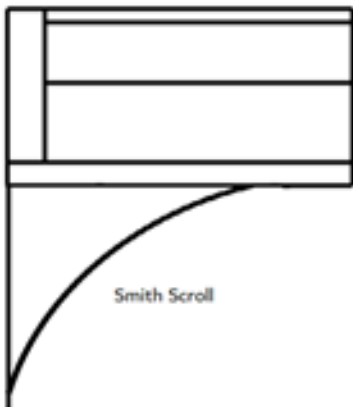


**Popular Colors**



*\*Colors may vary from actual material\**

**Popular Scrolls**



**Need advice? Please call us at 1-800-283-8053**