

Plastic Storage Unit

User Instructions - Please keep for future reference

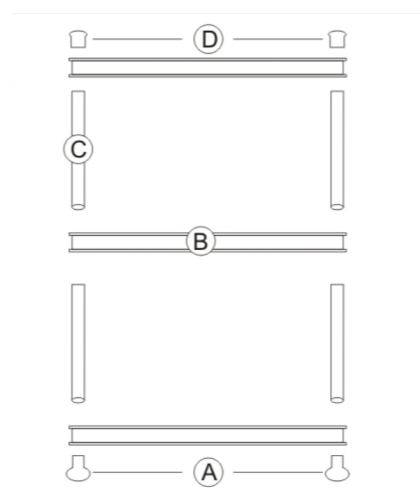
ArtVer#1



Imported by:
KCT Leisure
Glebe Farm, Old London Road
Copdock
Ipswich, Suffolk
IP8 3JN
United Kingdom

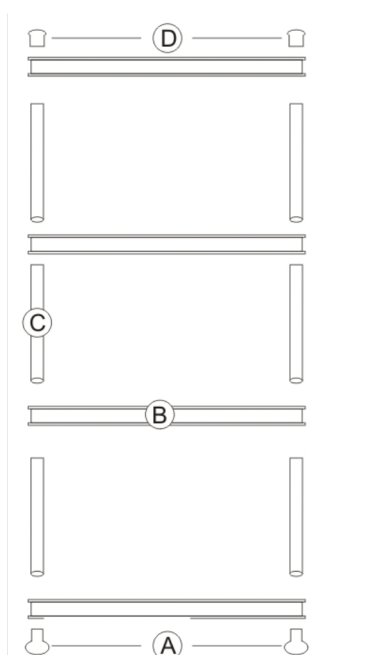
Manufactured by:
Chengdu Jiadiman International
Trading Co Ltd.
China

3-Tier



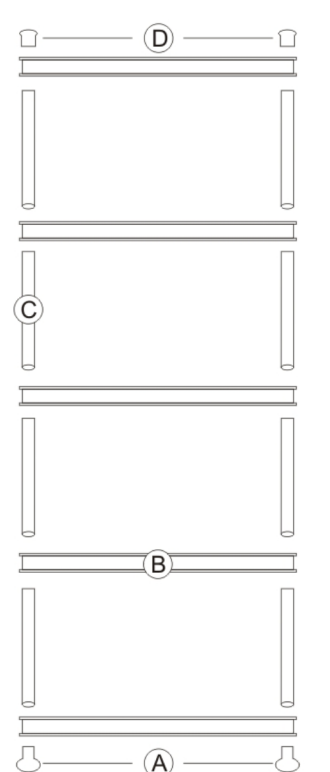
- A) Shelf feet (x4)**
- B) Shelf (x3)**
- C) Leg support (x8)**
- D) Top Cap (x4)**

4-Tier



- A) Shelf feet (x4)**
- B) Shelf (x4)**
- C) Leg support (x12)**
- D) Top Cap (x4)**

5-Tier



- A) Shelf feet (x4)**
- B) Shelf (x5)**
- C) Leg support (x16)**
- D) Top Cap (x4)**

IMPORTANT

Recommended two person assembly

Do not exceed shelf weight limit of 20kg per shelf

Garden Tool Rack

User Instructions - Please keep for future reference

ArtVer#1



Imported by:

KCT Leisure
Glebe Farm, Old London Road
Copdock
Ipswich, Suffolk
IP8 3JN
United Kingdom

1. Lay bottom section flat



2. Insert poles into corners



3. Secure top section



IMPORTANT:

4. Use provided hardware to secure rack to wall or stable structure



5. Put tool bag on the rack