

5 Tier Shelf Storage Unit

KCT

GSS122R/G/B/BLU

Imported by:

KCT Leisure
Glebe Farm,
Old London Road,
Copdock, Ipswich,
Suffolk, IP83JN,
United Kingdom

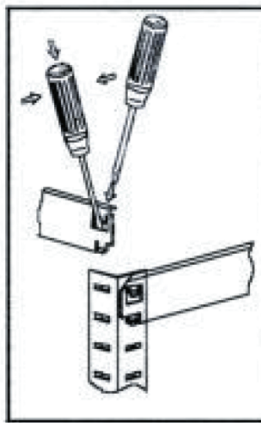
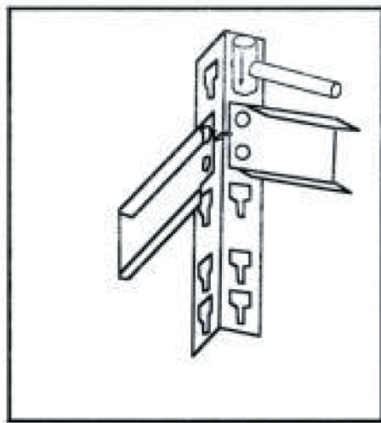
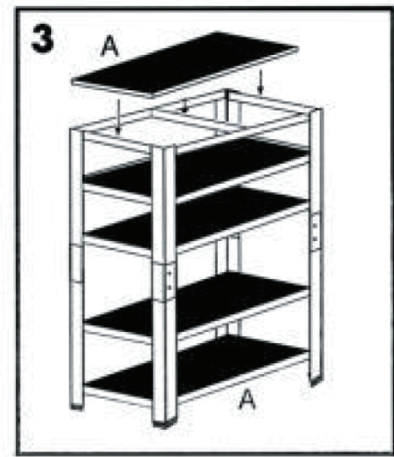
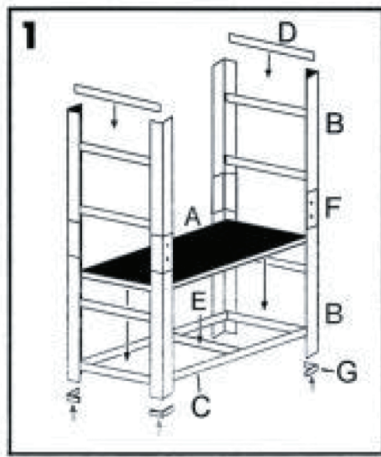


Important

Recommended two person assembly.

For your safety, the shelf unit must always be assembled with suitable wall mounting.

1.



A		5x	F		4x
B		8x	G		8x
C		10x	H		Tool is not included
D		10x	I		Tool is not included
E		5x			

If the connector tabs of the shelf cross pieces bend on assembly, they can be bent back into their original position with the aid of a flat head screwdriver.

The shelf unit must not be subjected to the specified load capacity of 75kg per shelf. The load on the shelves must be evenly distributed so that no harm can come to the wooden boards. The unit is not suitable for rooms with elevated humidity, as this could cause damage to the wooden boards.

Warning! Always wear gloves when assembling the unit to prevent injury. Never exceed the maximum shelf load or the maximum load for the complete unit array (see details on the packaging or on the unit itself).

1. Please read the advice and safety instructions carefully before assembling.
2. Remove all packaging materials. Check all the components are supplied in full (see list of components).
3. Warning: Before assembling, examine the product for transport damage. No liability is accepted for damage to a product that has already been assembled.
4. To prevent scratching please assemble this product on a clean, smooth surface (e.g a carpet).
5. Please use a rubber hammer to avoid damaging the finish.
6. Only erect the unit on horizontal, smooth floors, or else stability and maximum load-bearing capacity may not be guaranteed.
7. Disclaimer: Liability - including for consequential damage - will cease to apply if any defect has been caused by incorrect or improper assembly.
8. Please only use wall plugs and retaining screws that are suitable for your type of wall and the weight of the unit (wall plugs or screws and tools for wall mounting are not supplied with the product).
Warning: When assembling do NOT drill into water or electrical conduits.

5 Tier Shelf Storage Unit - Cross Bar Guidance

User Instructions Supplement - Please keep for future reference

Preparation: Please ensure that the side bars (C) are orientated in the correct way before assembling this stage of the unit. The teeth on either end should be facing downwards in order for them to be able to fix onto the main vertical legs of the shelf unit

Guidance For Correctly Attaching Cross Bars

When attaching the cross bars (E) to the side bars (C) you will notice that the cross bars feature two metal tabs on either end which are used to slot into the grooves located in the centre of the side bars.

These metal tabs located on part E will come packaged in their default unfolded position.

In order to correctly fix part E into place you will need to slot one of the metal tabs into the groove located on part C and bend 90 degrees. Remove the metal tab from the groove and repeat for the metal tab on the opposite end.

You can now orientate and slot part E into place using the metal tabs to slide into the grooves located on part C.

