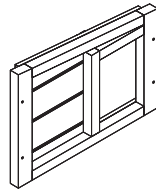


# Assembly Instructions

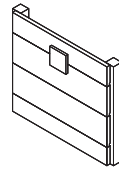
(A)



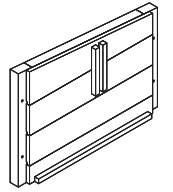
3.5\*35=8+1PCS



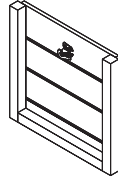
①



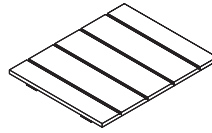
②



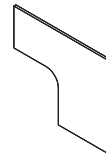
③



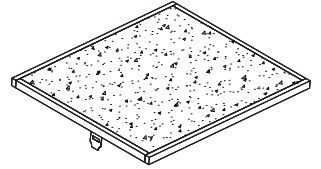
④



⑤

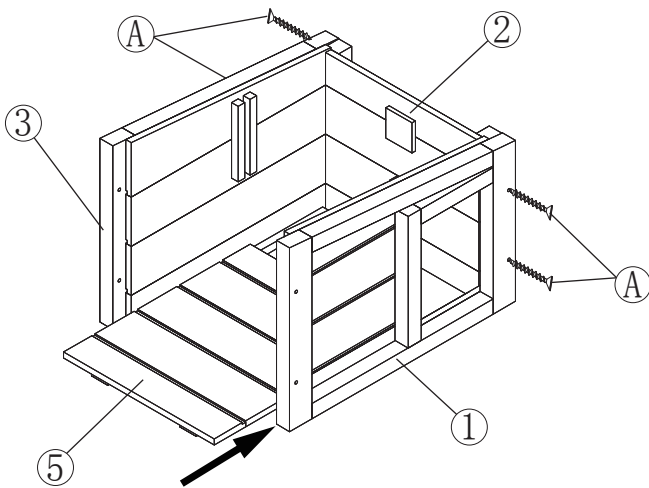


⑥

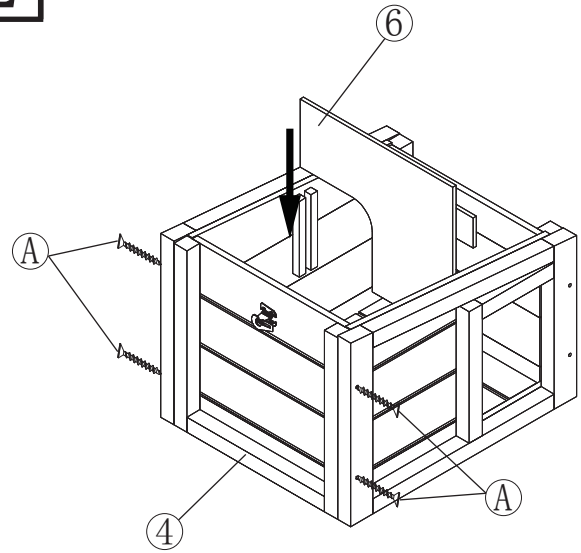


⑦

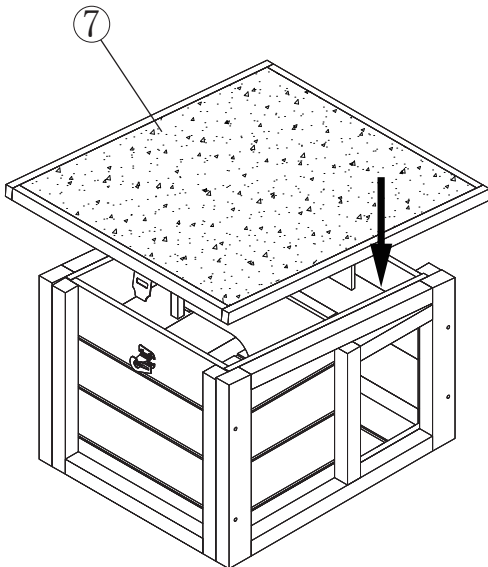
1



2



3



4

