

2.5x3 Walk in Chicken/Pet Run with Curved Roof

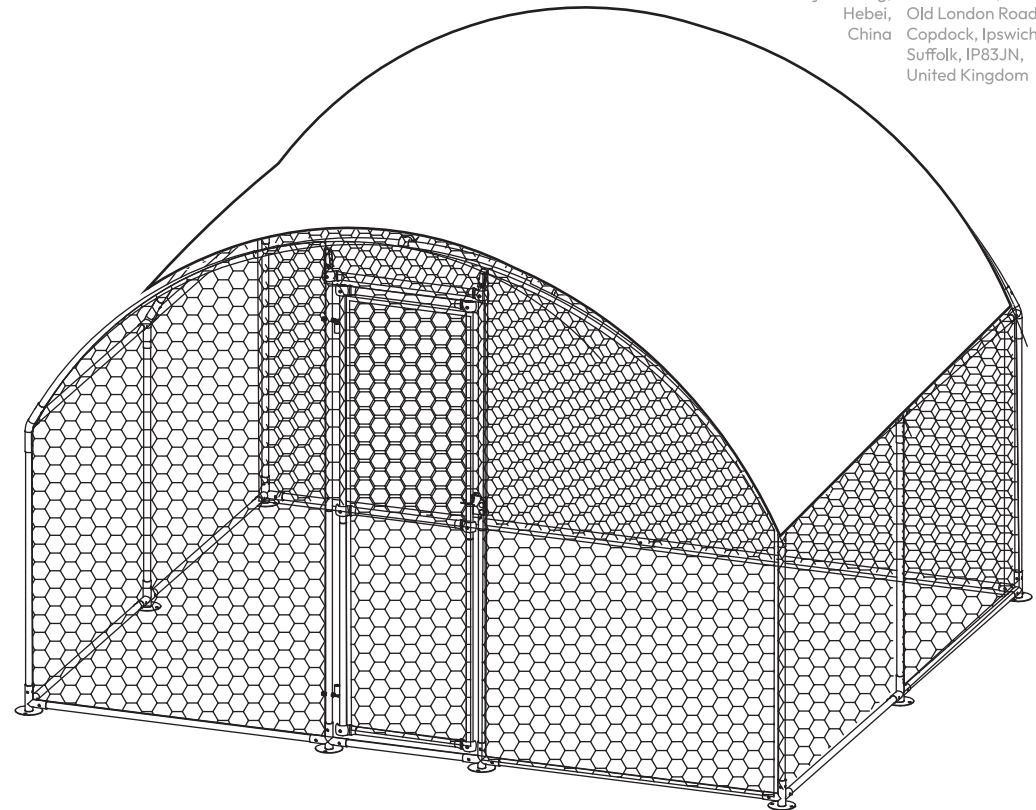
KCT

PPH295

80011

Manufactured by: Imported by:

Hebei Yilong, KCT Direct
Shijiazhuang, Glebe Farm,
Hebei, Old London Road,
China Copdock, Ipswich,
Suffolk, IP83JN,
United Kingdom



Manufactured by:

Hebei Yilong,
Shijiazhuang,
Hebei,
China

Imported by:

KCT Direct,
Glebe Farm,
Old London Road,
Copdock, Ipswich,
IP83JN

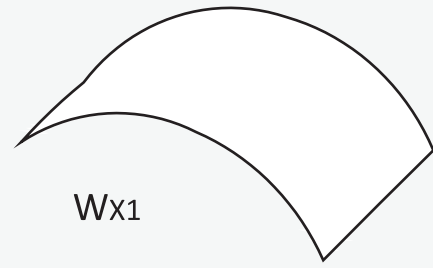
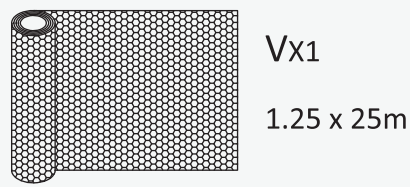


Please read this manual carefully before assembly

Parts:

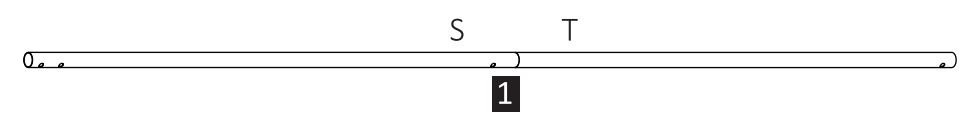
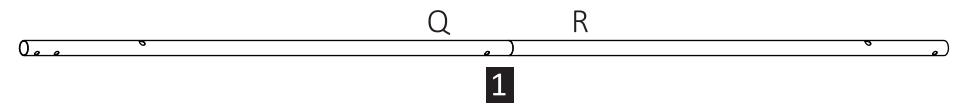
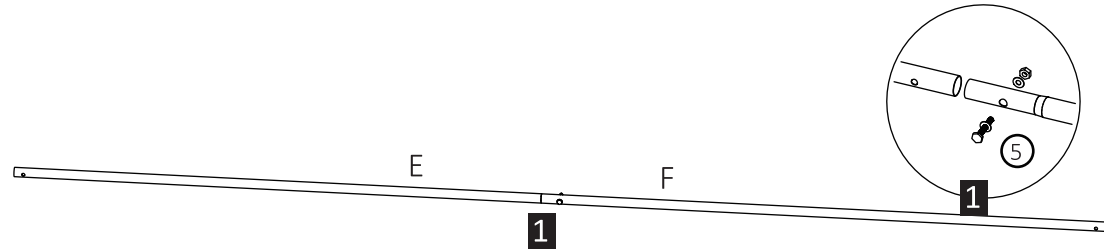
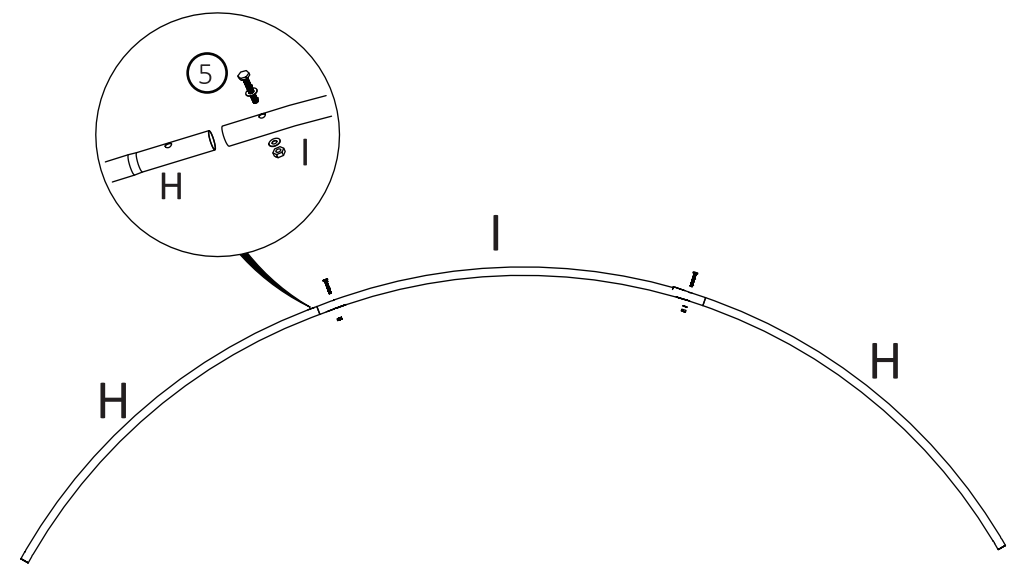
- A X8 1190mm
- C X2 1140mm
- D X1 560mm
- E X1 1512mm
- F X1 1512mm
- G X6 1010mm
- H X6 1261mm
- I X3 1261mm
- J X2 1250mm
- L X3 530mm
- M X1 925mm
- N X1 925mm
- O X1 925mm
- P X1 925mm
- Q X1 980mm
- R X1 980mm

- S X1 980mm
- T X1 980mm
- Ux1 630mm

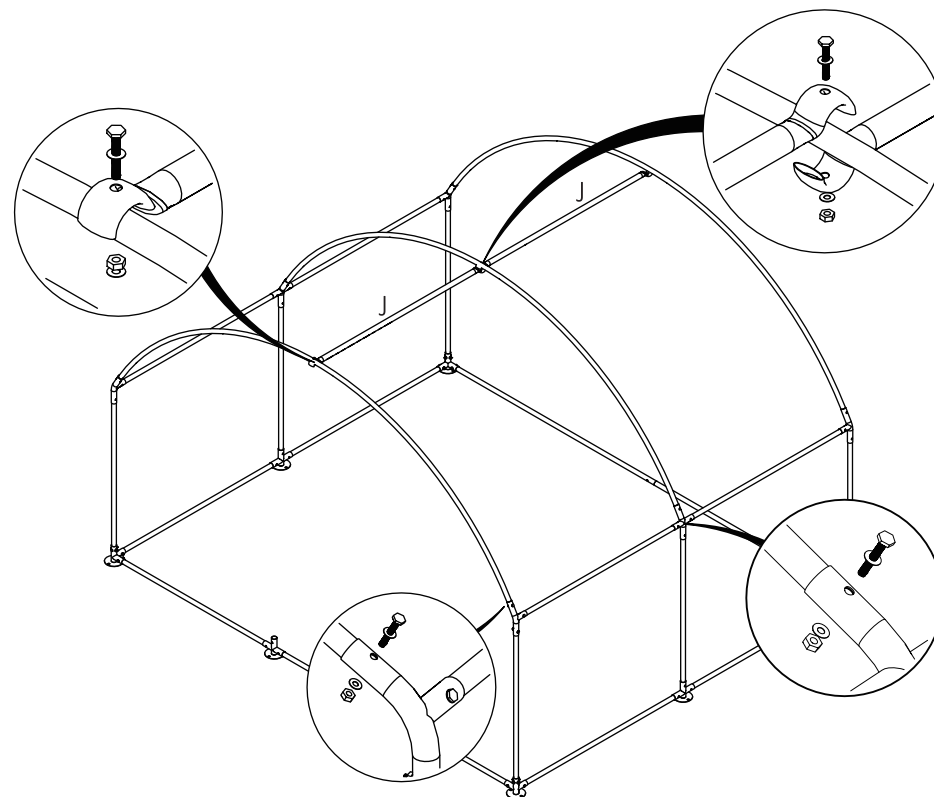
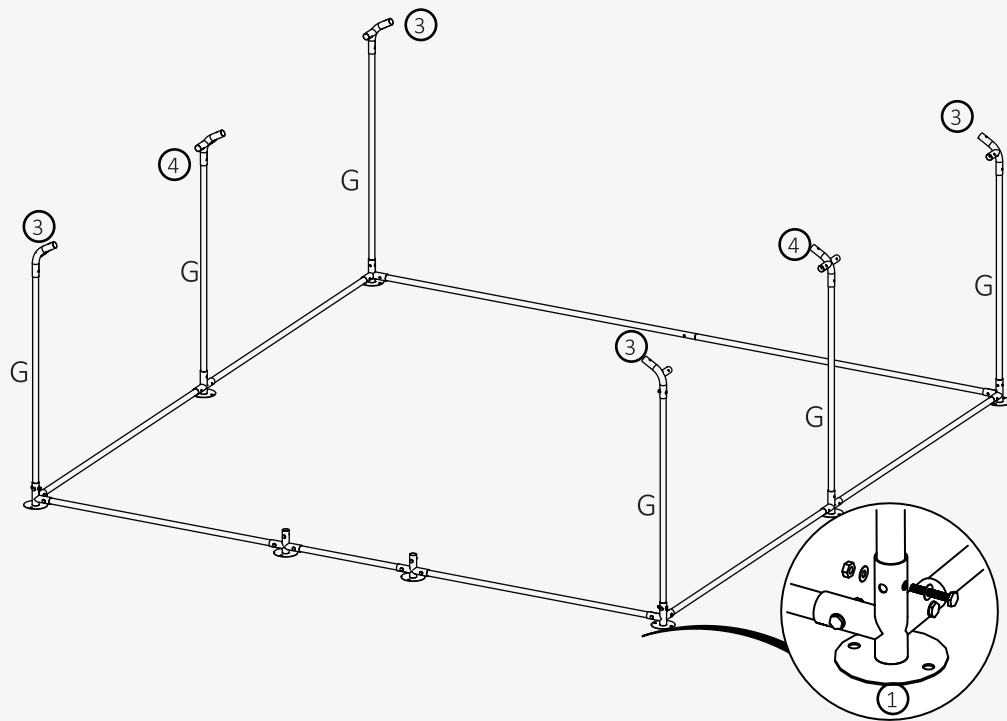
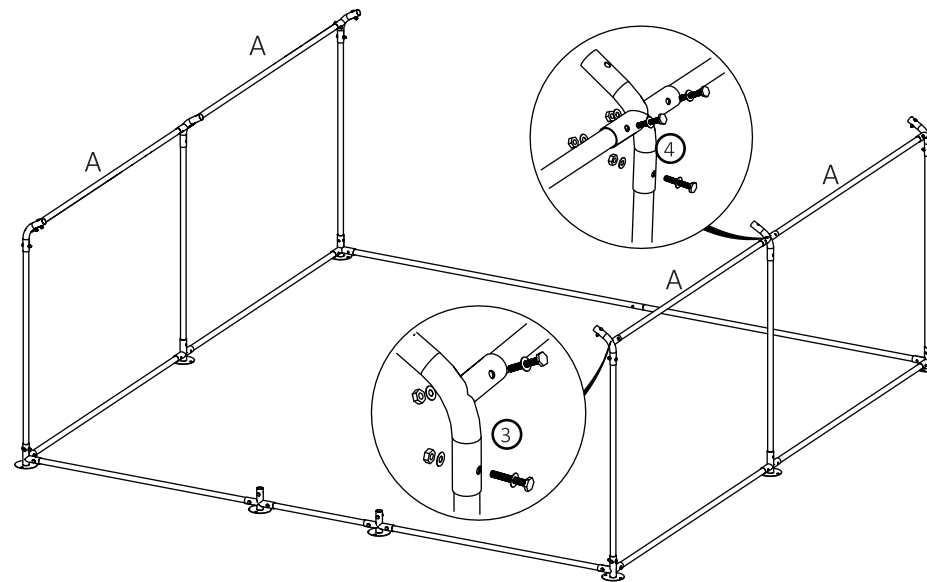
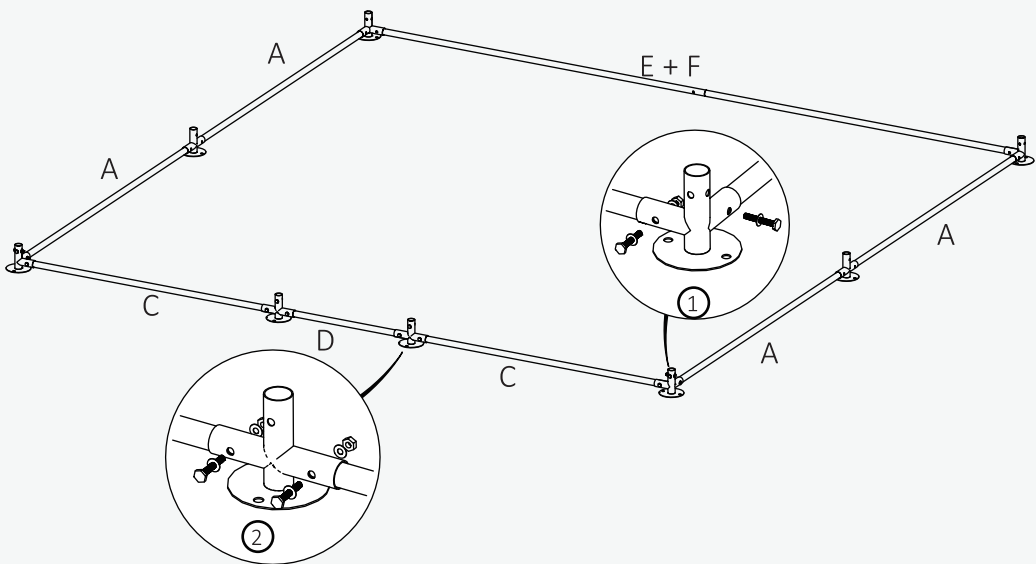


- ① X4
- ② X4
- ③ X6
- ④ X3
- ⑤ X64 M6x40mm
- ⑥ X2
- ⑦ X1
- ⑧ X2
- ⑨ X1
- ⑩ X24
- ⑪ X8

1

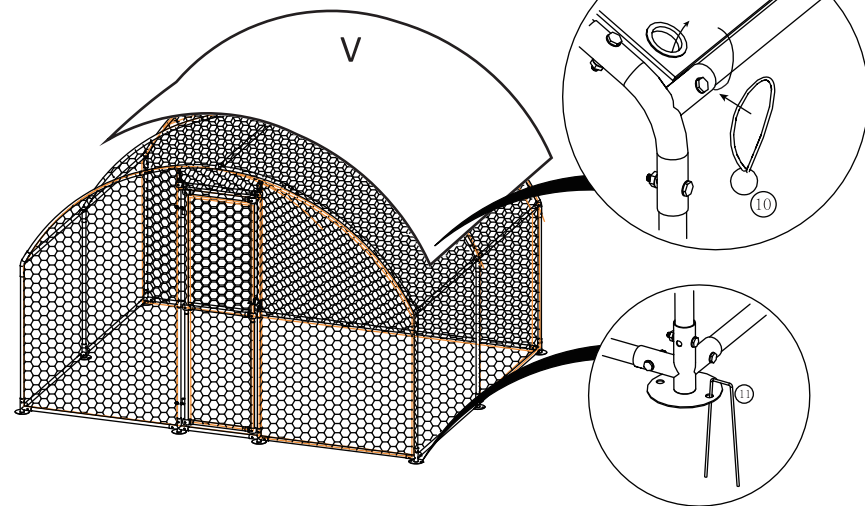
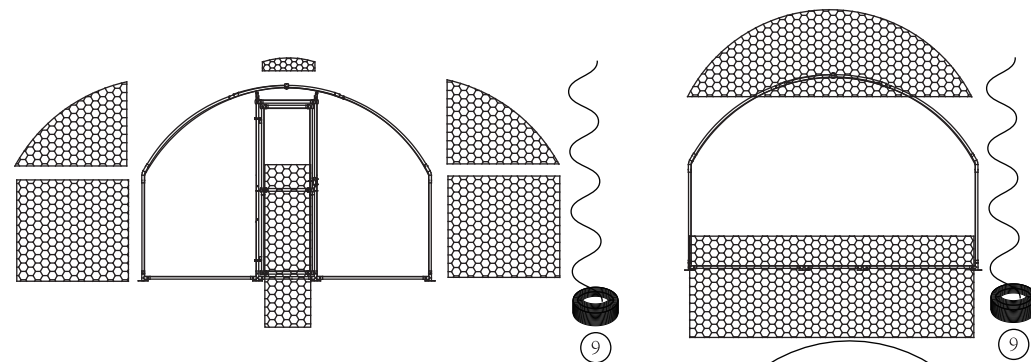
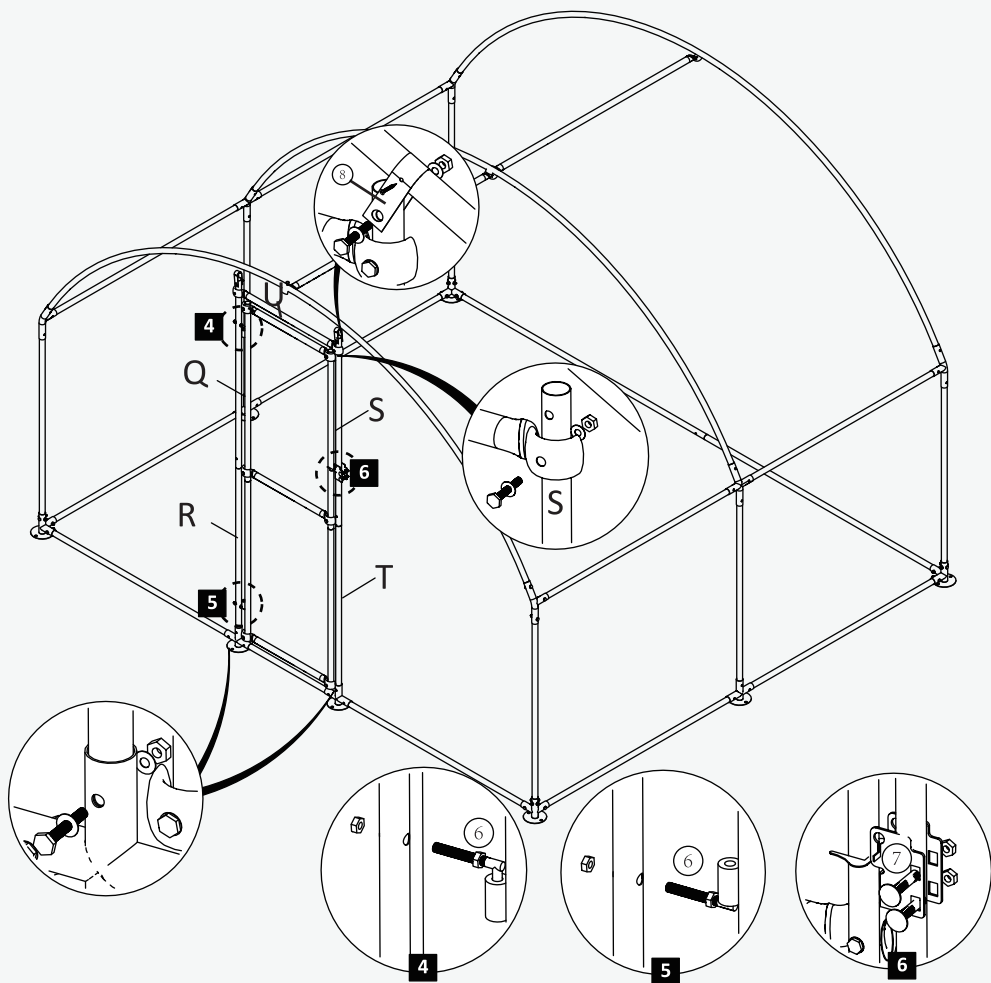
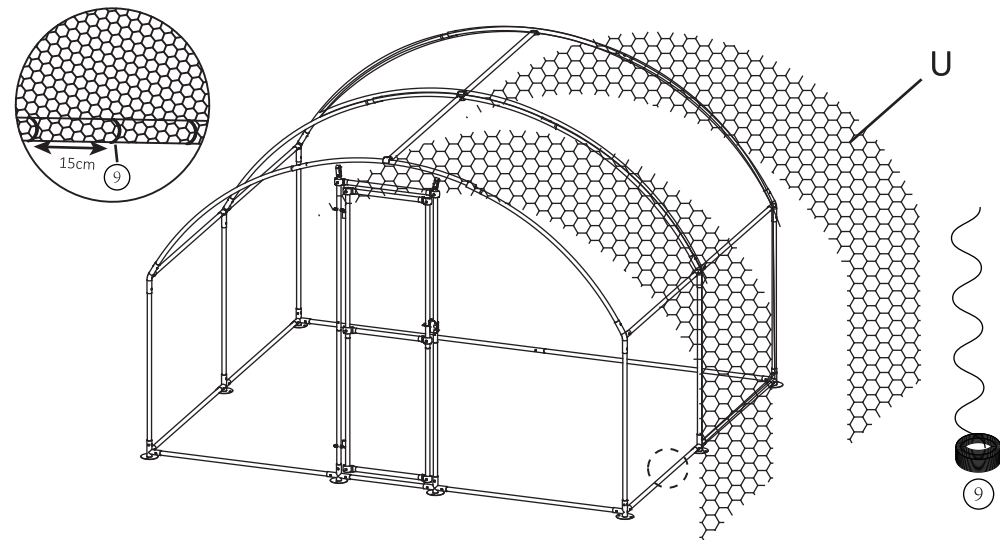
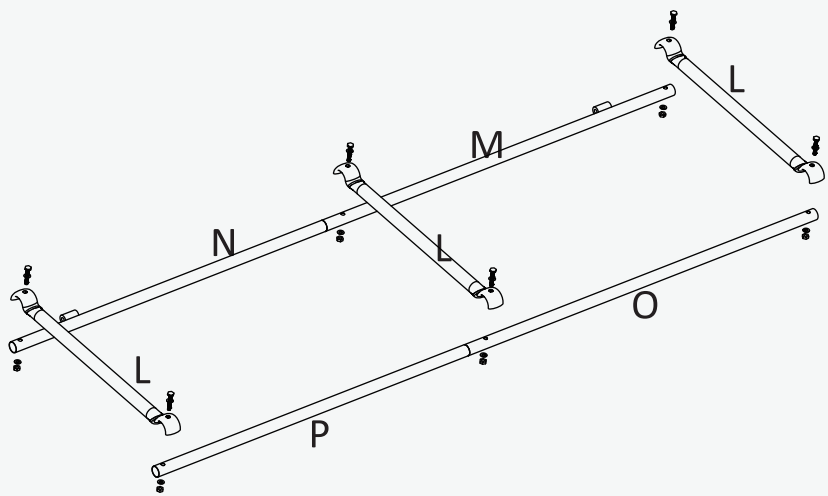


2



3

4



5

6