

Milan Rabbit Hutch







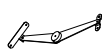

Assembly Instructions

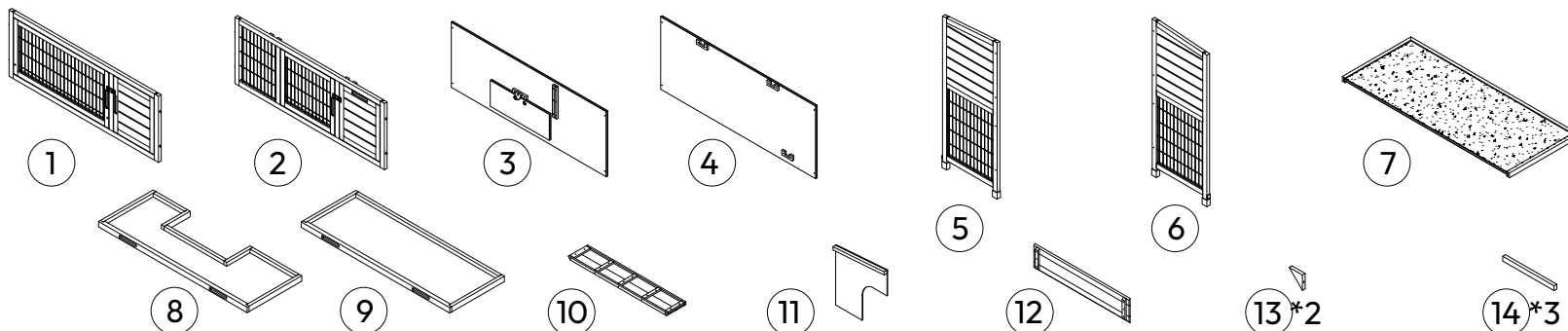
PPH110

V1.0

KGT

Imported by:
KCT Direct
Glebe Farm, Old
London Road
Copdock
Ipswich, Suffolk
IP8 3JN
United Kingdom

-  A M4*40 10PCS+1
-  B M3.5*35 10PCS+1
-  C M3*25 4PCS+1
-  D M3*12 4PCS+1
-  E M3*18 6PCS+1
-  F M3*20 3PCS+1
-
-  L *1
-  G *2



C M3*25 4PCS

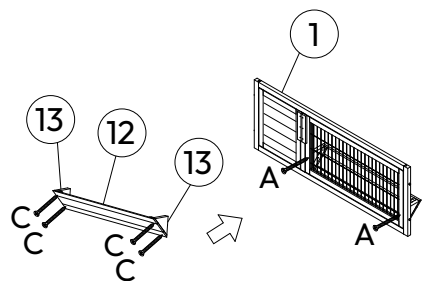
A M4*40 2PCS

A M4*40 8PCS

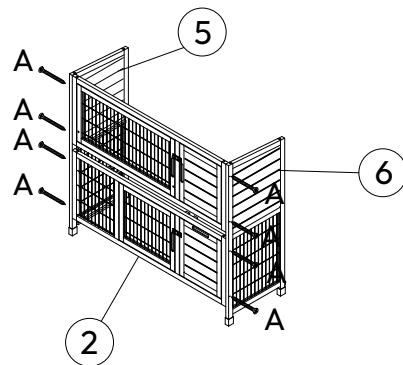
B M3.5*35 8PCS

D M3*12 4PCS

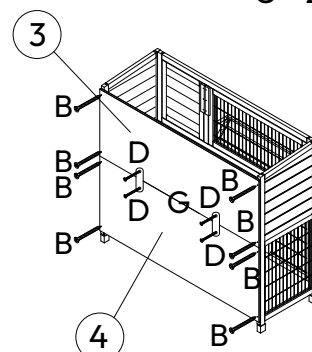
G *2 



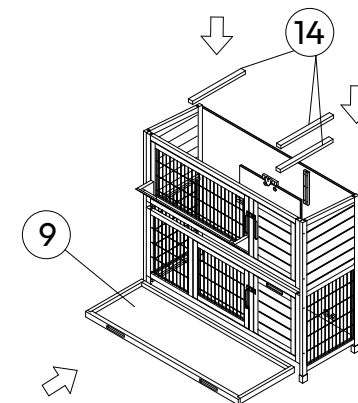
STEP 1



STEP 2

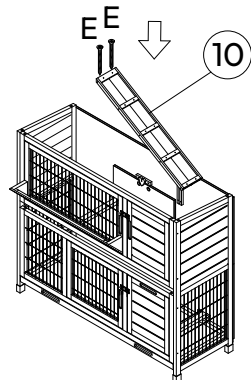


STEP 3

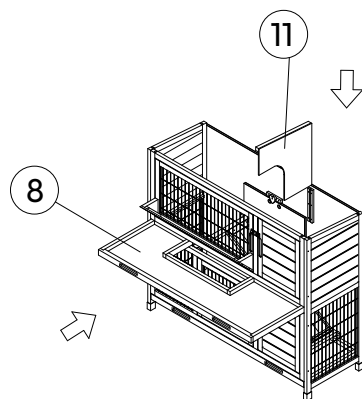


STEP 4

E M3*18 2PCS



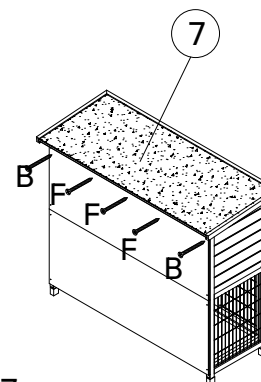
STEP 5



STEP 6

F M3*20 3PCS

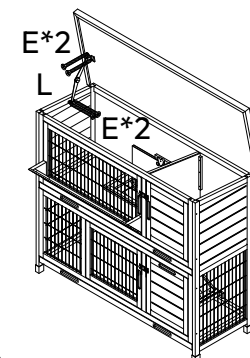
B M3.5*35 2PCS



STEP 7

E M3*18 4PCS

L *1



STEP 8