








Monza - 3ft Rabbit Hutch

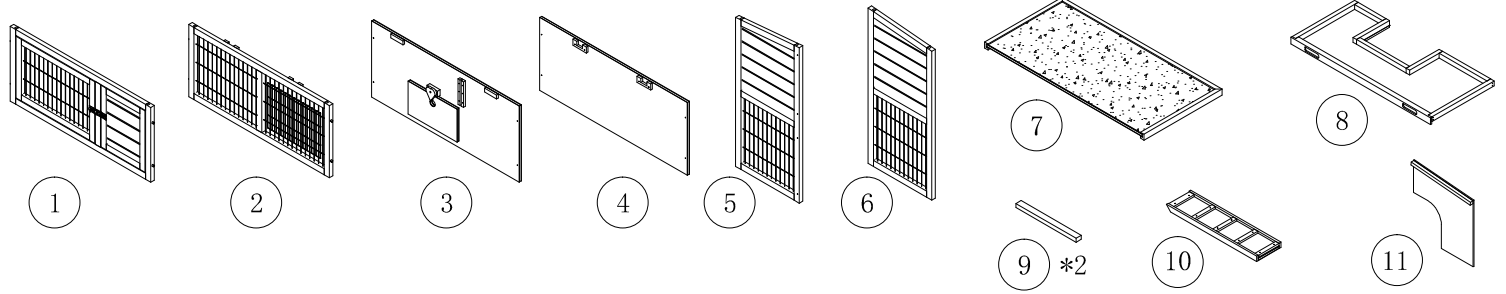
KCT

Imported by:
KCT Direct
Glebe Farm, Old
London Road
Capdock
Ipswich, Suffolk
IP8 3JN
United Kingdom

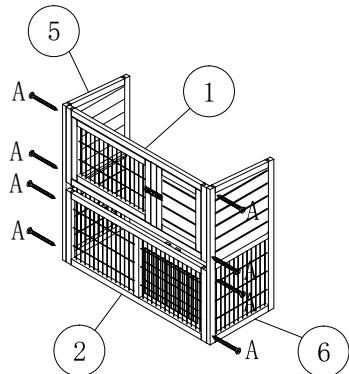
Assembly Instructions

PPH103

-  A M4*45 8PCS+1
-  B M3.5*30 8PCS+1
-  C M3.5*16 16PCS+1
-  D  2PC
-  E  1PC

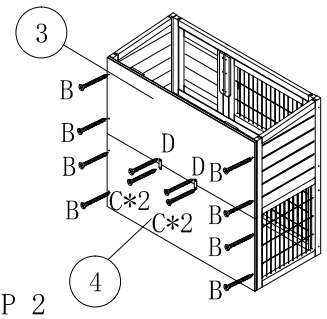


A M4*45 8PCS

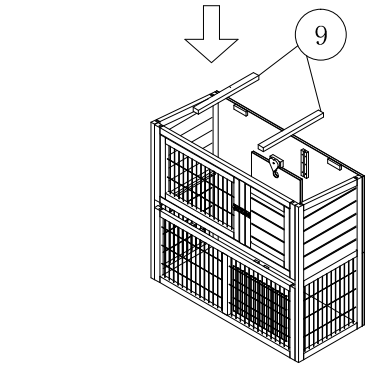


STEP 1

B M3.5*30 8PCS
C M3.5*16 4PCS
D  2PC

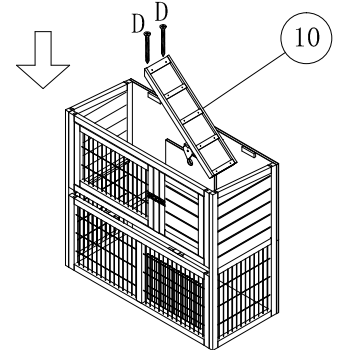


STEP 2

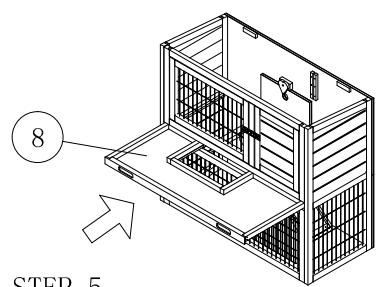


STEP 3

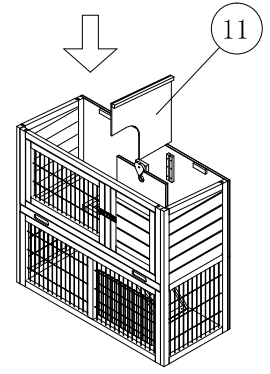
C M3.5*16 2PCS



STEP 4

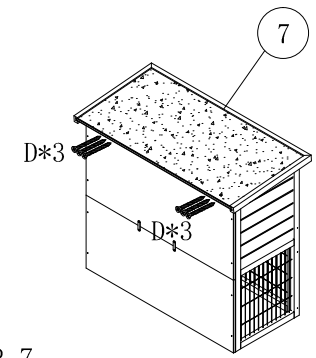


STEP 5



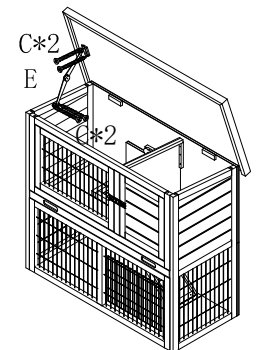
STEP 6

C M3.5*16 6PCS



STEP 7

C M3.5*16 4PCS
E  1PC



STEP 8