

Large Hydraulic Grooming Table

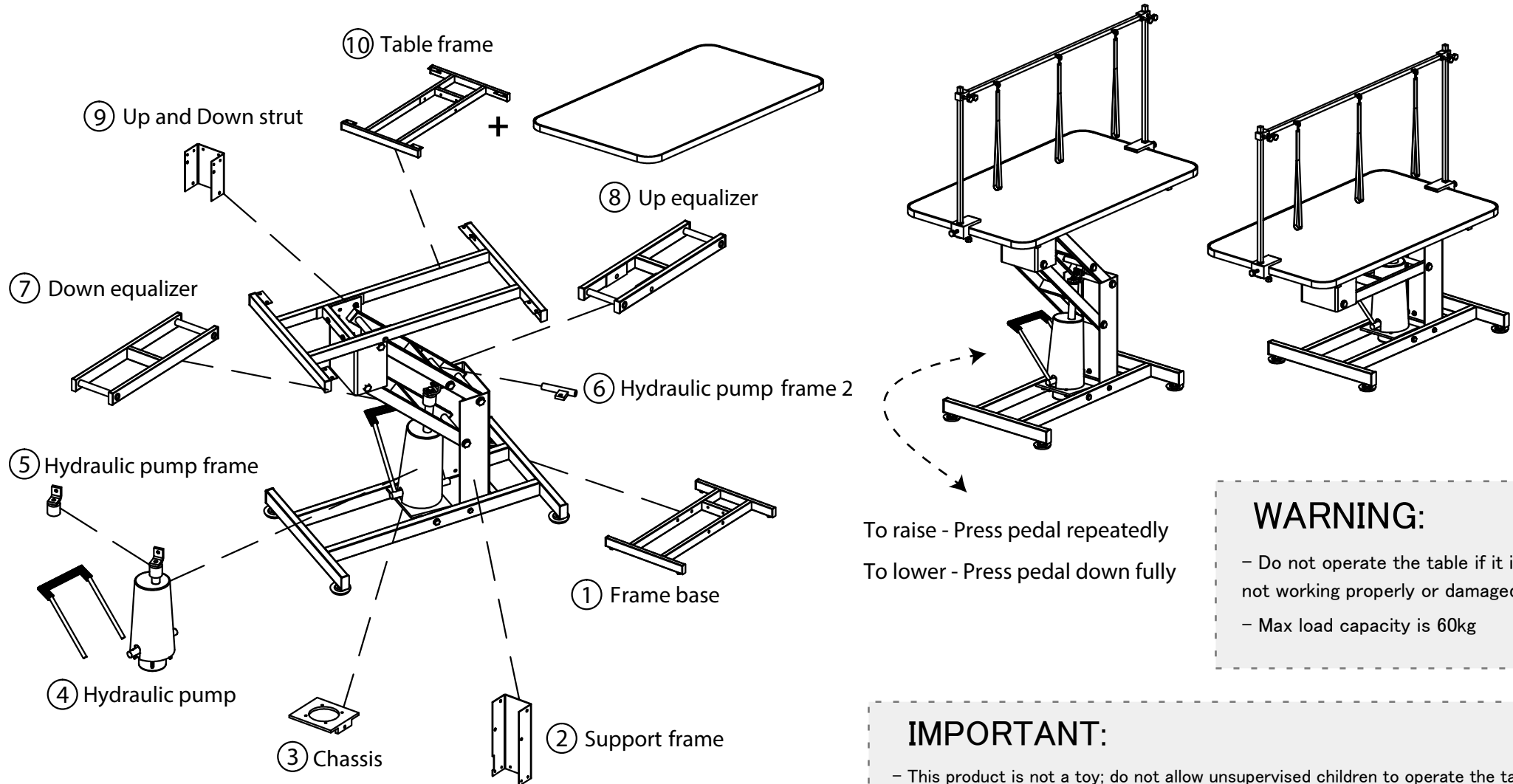
PPG113

V2.0

Imported by:

KCT Leisure
Glebe Farm,
Old London Road,
Copdock, Ipswich,
Suffolk, IP8 3JN,
United Kingdom

KCT



WARNING:

- Do not operate the table if it is not working properly or damaged.
- Max load capacity is 60kg

IMPORTANT:






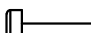


- This product is not a toy; do not allow unsupervised children to operate the table.
- For the use of grooming small animals only; do not leave any animals unattended.
- Ensure the table is at the lowest height setting when being stored or not in use.

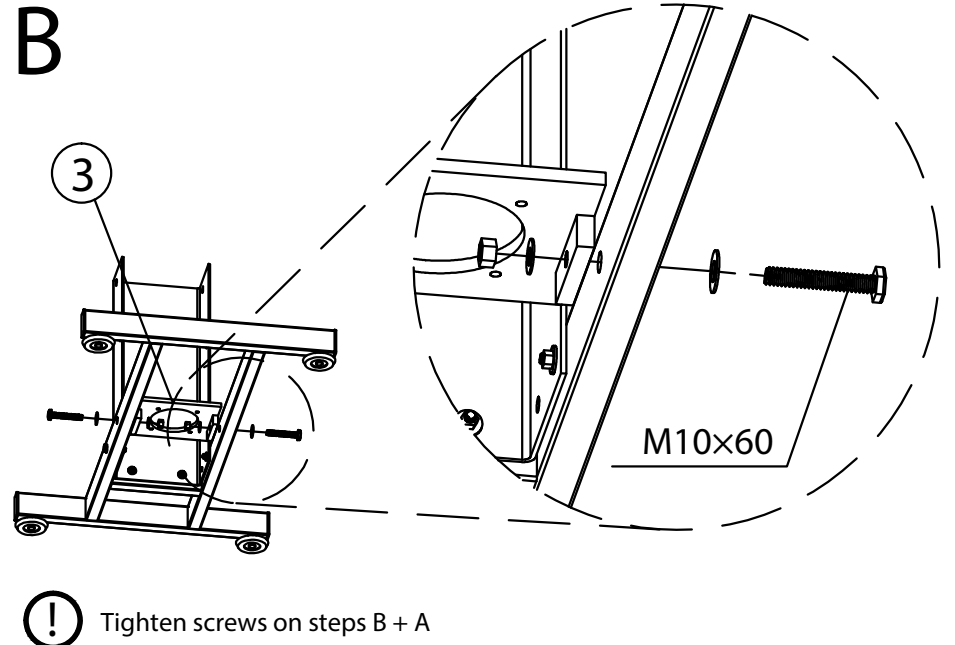
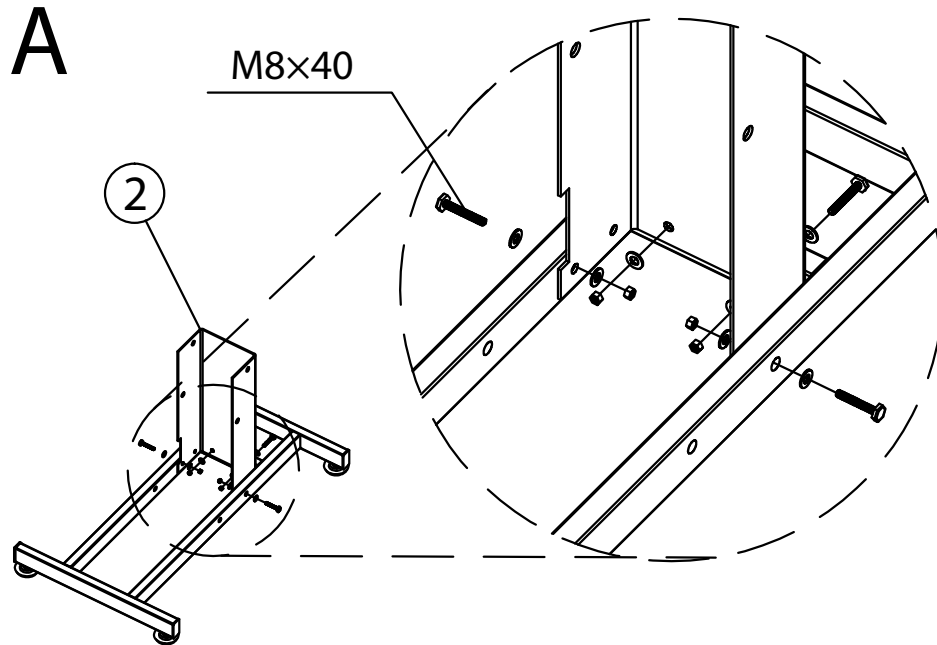
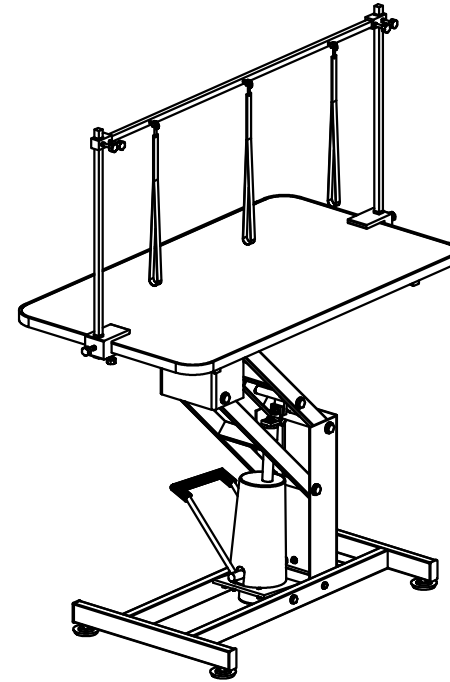
1.



Recommended 2 person assembly.

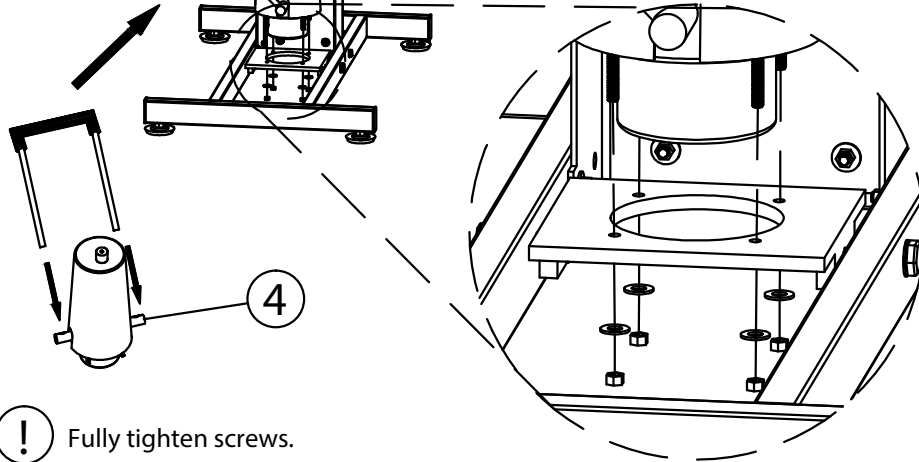
Parts

-  M8x35mm-4pcs — — — — — For step H
-  M8x40mm-4pcs — — — — — For step A
-  M10x30mm-1pcs — — — — — For step D
-  M10x35mm-1pcs — — — — — For step D
-  M10x60mm-2pcs — — — — — For step B
-  M12x180mm-1pcs — — — — — For step F
-  M12x200mm-4pcs — — — — — For step E/F/G
-  Base Feet — —

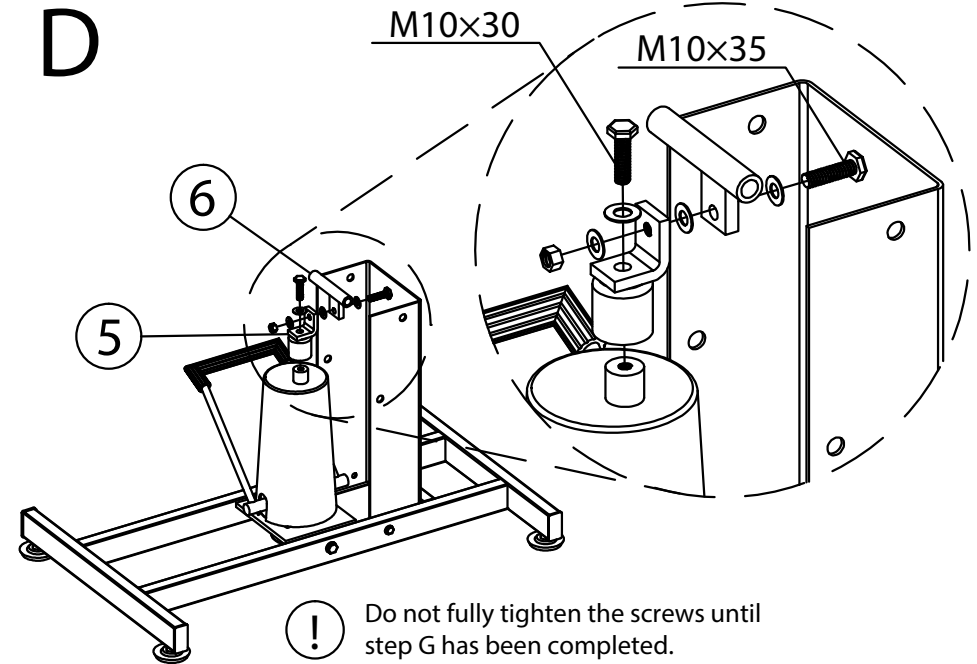


C

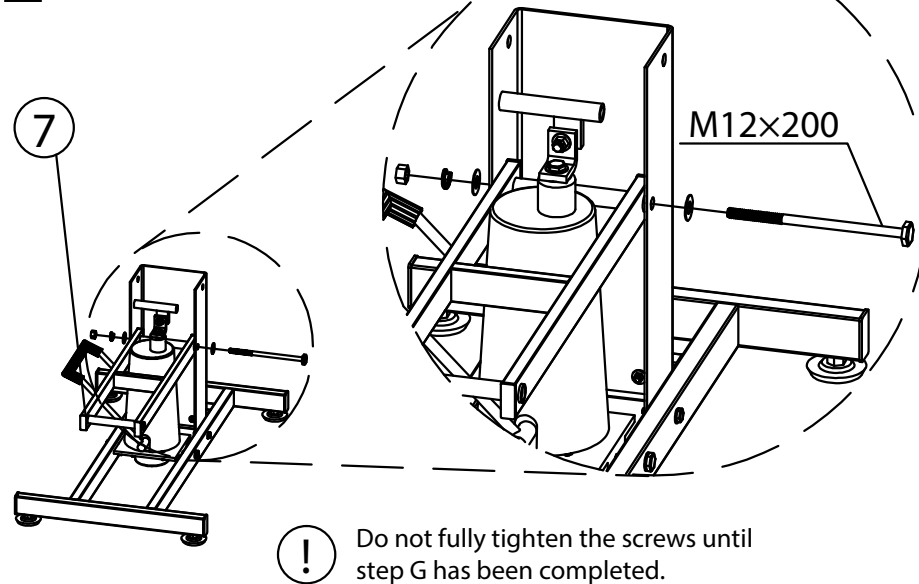
Please note -
 The nuts and bolts come
 preinstalled on the hydraulic unit.
 These will need to be removed for
 installation.

KCT

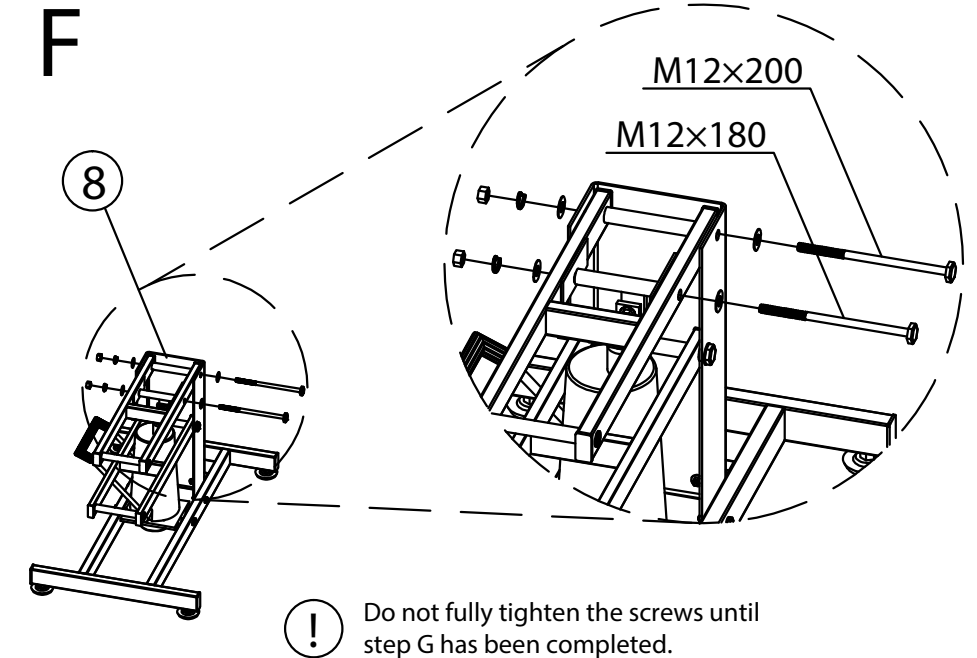
! Fully tighten screws.

D

! Do not fully tighten the screws until
 step G has been completed.

E

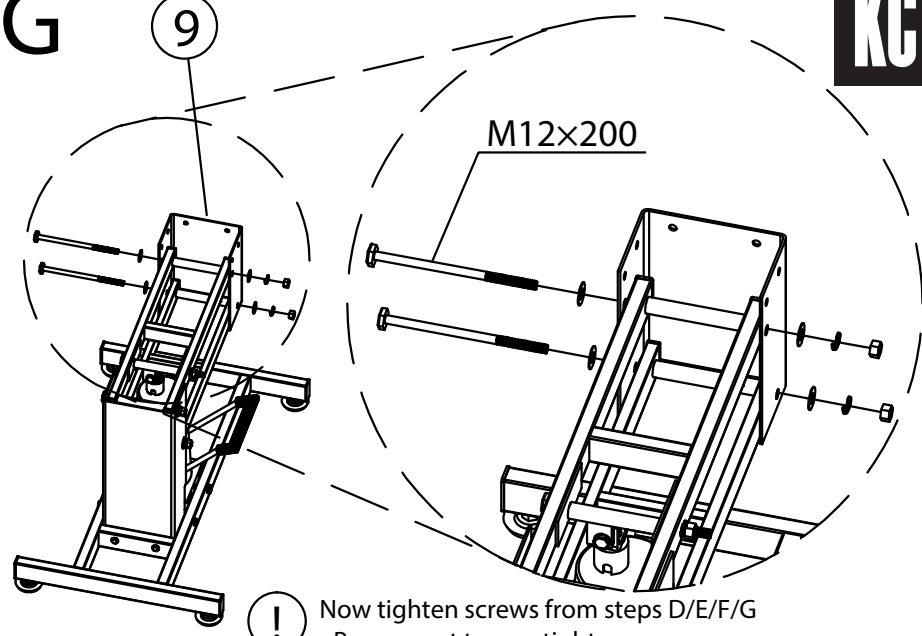
! Do not fully tighten the screws until
 step G has been completed.

F

! Do not fully tighten the screws until
 step G has been completed.

G**9****KCT**

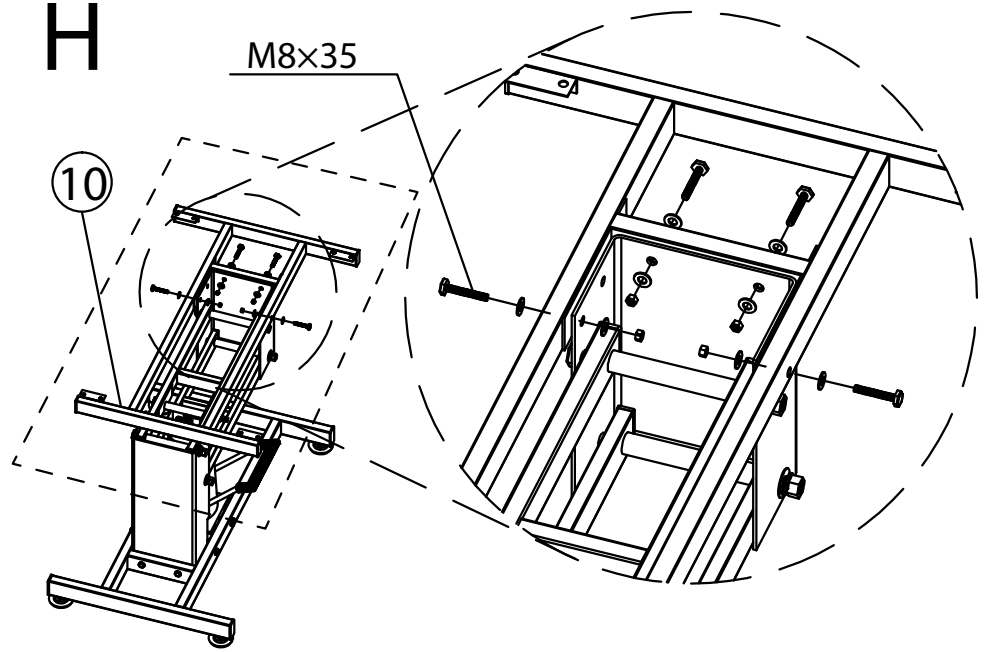
M12x200



! Now tighten screws from steps D/E/F/G
- Be sure not to overtighten.

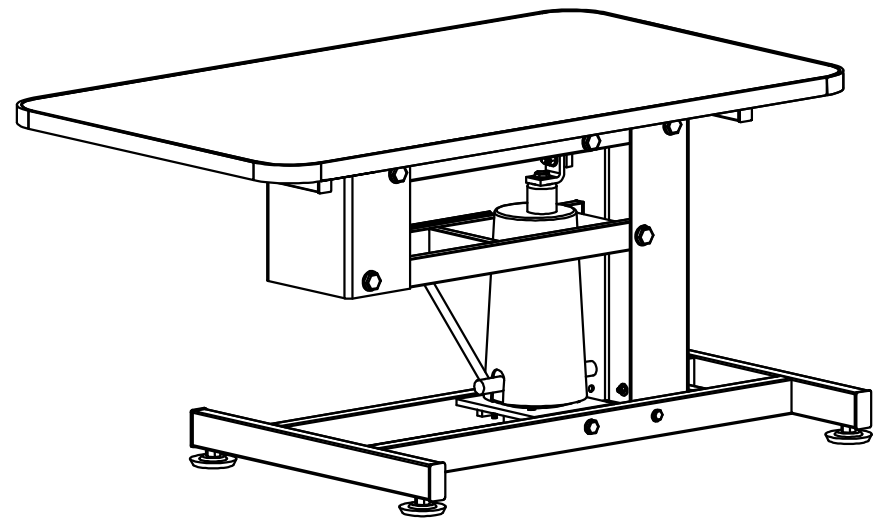
H

M8x35

10

!

Straighten unit - then fully tighten
all screws to secure fixings in place.

**J**