

Standard Hydraulic Grooming Table

PPG103

V2.0

Imported by:

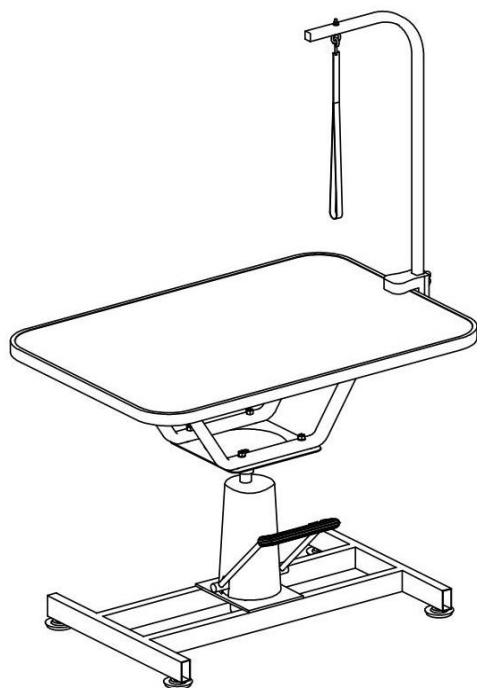
KCT Leisure
Glebe Farm,
Old London Road,
Copdock, Ipswich,
Suffolk, IP8 3JN,
United Kingdom

KCT

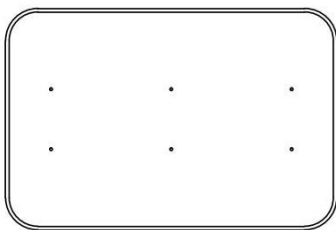
Please note:

Screws, nuts and washers will come preinstalled onto their respective parts.

These will need to be removed prior to installation.



①



×1

②



×1

③



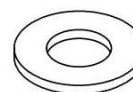
×4

④



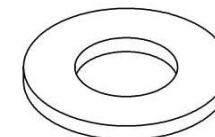
×6

⑤



×4

⑥



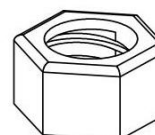
×9

⑦



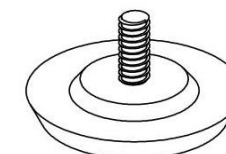
×4

⑧



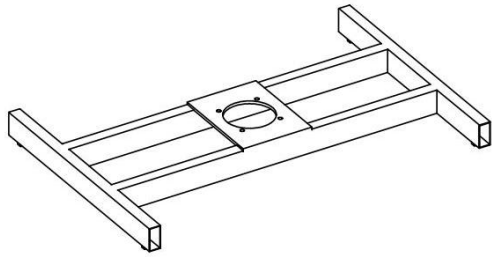
×4

⑨



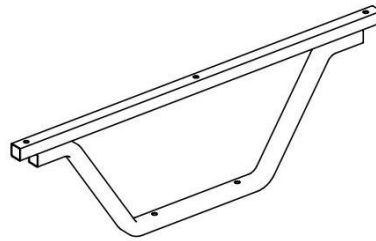
×4

10



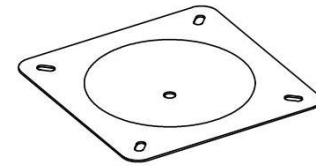
×1

11



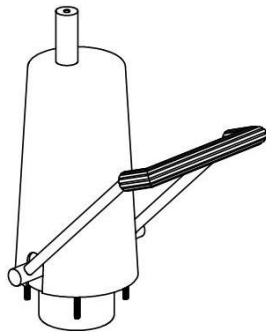
×2

12



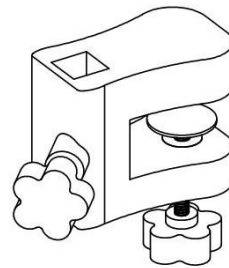
×1

13



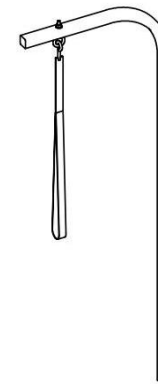
×1

14



×1

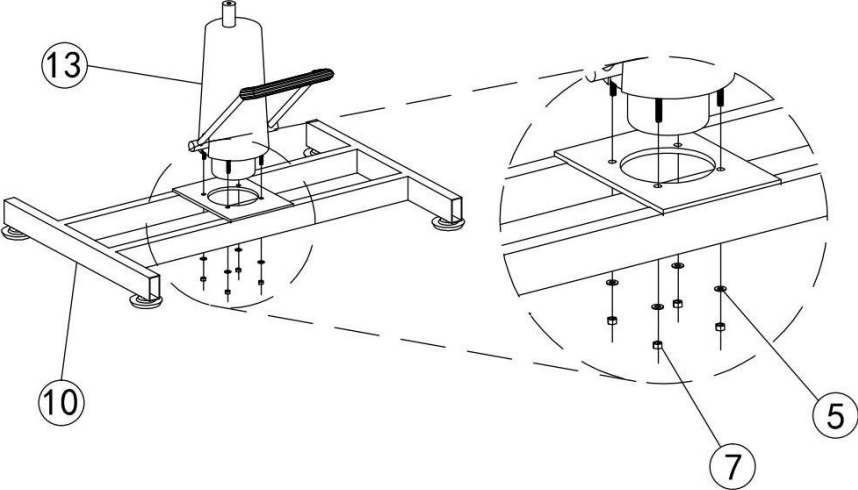
15



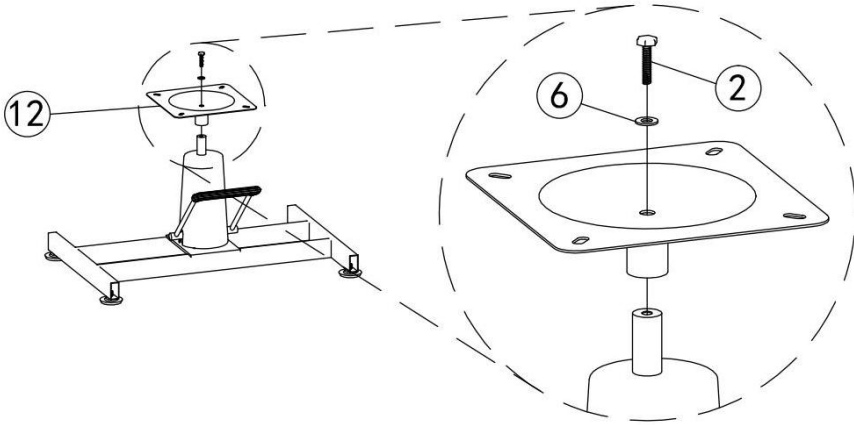
×1

Installation Instructions

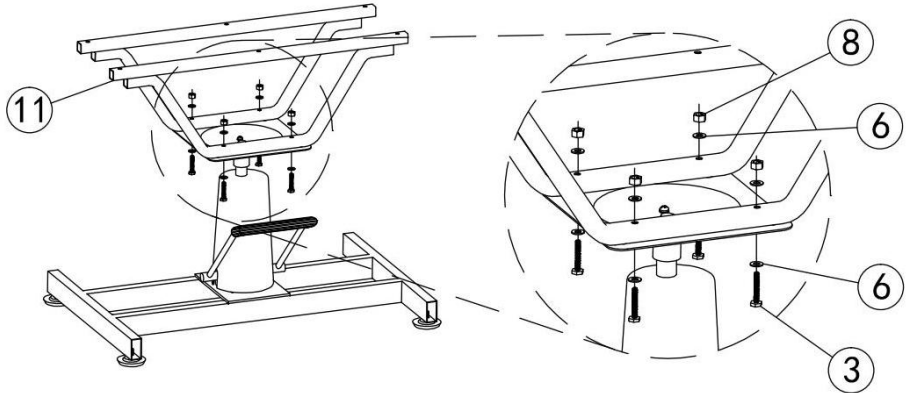
A



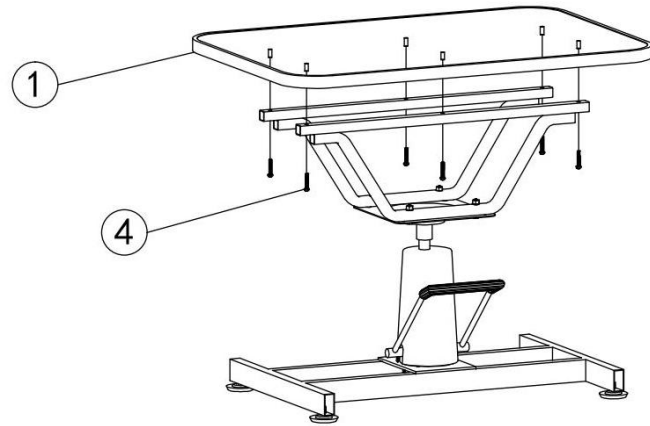
B



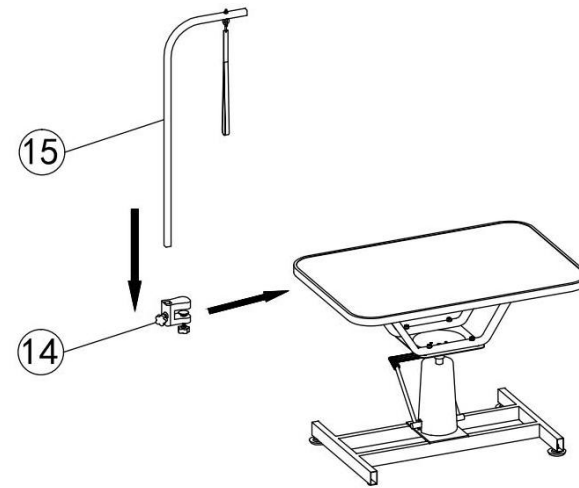
C



D

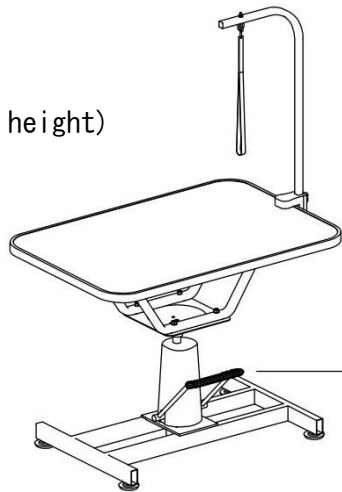


E



F

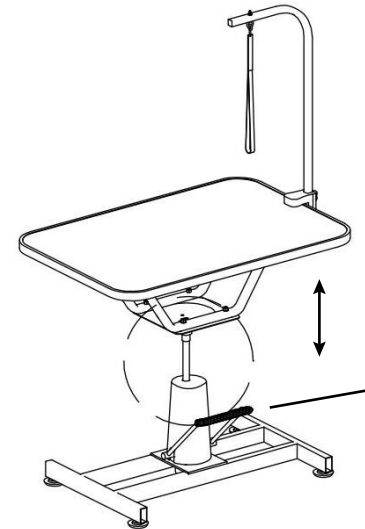
70cm (At lowest height)



Keep treading



84cm (At highest height)



Press repeatedly half way to raise.

Press fully down and hold to lower.

IMPORTANT:

- This product is not a toy; do not allow unsupervised children to operate the table.
- For the use of grooming small animals only; do not leave any animals unattended.
- Ensure the table is at the lowest height setting when being stored or not in use.

WARNING:

- Do not operate the table if it is not working properly or damaged.
- Max load capacity is 45kg

