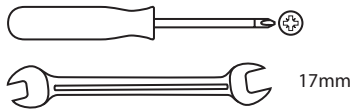


Pizza Oven

User Instructions - Please keep for future reference

ArtVer#2

Tools required (not included)



17mm



Imported by:
KCT Direct

Glebe Farm, Old London Road
Copdock
Ipswich, Suffolk
IP8 3JN
United Kingdom

User Instructions - Please keep for future reference

IMPORTANT – Carefully remove any packaging before use, but retain the safety instructions.

These instructions form part of the product.

Please take note of all of the safety warnings listed in these instructions.

Please read these instructions in their entirety and retain them for future reference.

These instructions should be stored with the product.

This product is for domestic use **ONLY** and should not be used commercially or for contract purposes.

Safety Caution:

1. **DO NOT** use spirit or petrol for lighting or re-lighting!
2. Always stand your appliance outdoors and on level ground away from trees and wooden fencing.
3. **DO NOT** light the fire with petrol, paraffin, methylated spirit, lighter fuel or alcohol. Use a specially formulated appliance lighting fluid, paste or fire lighters.
4. **DO NOT** attempt to light the fire if lighting fluid has been spilt over clothing.
5. **DO NOT** try to re-light the fire with lighting fluid as the charcoal may still be hot and cause a flare up.
6. Keep children and pets at a safe distance from the appliance.
7. **DO NOT** attempt to move the appliance once it has been lit.
8. During use, always use protective gloves when touching any part of the appliance.
9. Make sure that the appliance has completely cooled before removing the ash.
10. Flare-ups can occur if hot fat drips onto the burning charcoal. Keep a water sprayer handy to extinguish the flame.
11. Always ensure the unit is fully extinguished and completely cool before applying any covers or storing away. Remember coal can remain hot for sometime and could re-light under certain conditions unless fully damped down and/or extinguished.
12. To prolong the life of the metal parts, do not leave the barbecue outside and unprotected from the weather. Ideally it should be stored in a garage or garden shed when not in use.

⚠ CAUTION!

To avoid damage to property, **ALWAYS** place this appliance on a surface which is suitably heat resistant as this unit will get extremely hot during operation.

⚠ WARNING!

Do not use this product indoors or in a confined space as it could lead to carbon monoxide poisoning. **DO NOT** leave flames or hot embers unattended.

POSITIONING, LIGHTING, USAGE AND CARE INFORMATION

- Ensure the oven is positioned on a permanent, flat, level, heat resistant non-flammable surface away from flammable items.
- Ensure the oven has a minimum of 2m overhead clearance and has a minimum 2m clearance from other surrounding items.
- Place untreated wood or charcoal into the lower fuel area. Do not use more fuel than 75% of fuel area capacity, e.g. 3kg charcoal or 2 small logs.
- Do not overload the oven with fuel (use untreated wood, logs or charcoal) – only a couple of small logs is sufficient.
- Place rolled up newspaper and kindling in with the fuel and using heat resistant gloves, light the fuel.
- Allow the fuel to heat up and be kept red hot for at least 30 minutes prior to the first cooking on the grill/pizza stone.
- Do not cook before the fuel has a coating of ash. If required, place the pizza stone on top of the stainless steel Grill. For grilling or smoking, remove the pizza stone.
- Once the fuel has a coating of ash, place your food onto the stainless steel grill or pizza stone.
- If you wish to use as a smoker unit, add wood chips to the fuel and restrict air flow to the unit by closing the baffle plate on the lower door and the damper on the fuel.
- To keep meat moist, add a small amount of water to a small foil tray, separate the coals in the lower fuel section and place the tray between the fuel prior to lighting.
- Top up liquid as necessary.
- Air flow can be adjusted as required via the baffle plate and damper on the flue.
- Always use heat resistant gloves during the handling process and when refuelling.
- Always close the lower door when fuel is lit.
- The pizza stone and stainless steel grill can be washed using a mild detergent. They are not suitable for dishwasher use.
- The pizza stone will develop soot on the underside – this may be difficult to remove and should be expected. It is not a fault and will not affect use.
- The unit may be left outside all year if a cover is used to help protect it from bad weather.
- The oven surface will age and develop surface rust when placed outdoors and from first use. This is to be expected, it is not a fault and will not affect use.

FOOD COOKING INFORMATION

- Please read and follow this advice when cooking.
- Always wash your hands before and after handling uncooked meat and before eating.
- Always keep raw meat away from cooked meat and other foods.
- Before cooking ensure grill surfaces and tools are clean and free of old food residues.
- **DO NOT** use the same utensils to handle cooked and uncooked foods.
- Ensure all meat is cooked thoroughly before eating.
- **CAUTION** – eating raw or under cooked meat can cause food poisoning (e.g. bacteria strains such as E.coli).
- To reduce the risk of under cooked meat cut open to ensure it is cooked all the way through.
- **CAUTION** – if meat has been cooked sufficiently the meat juices should be clear and there should be no traces of pink/red juice or meat colouring.
- Pre-cooking large pieces of meat and joints is recommended before finally cooking in your oven.
- After cooking always clean the stainless steel grill, cooking surfaces and utensils.
- **DO NOT** cook until your charcoal has a coating of ash.

EXTINGUISHING

- To extinguish the unit – stop adding fuel and allow fire to die or douse with sand.
- **DO NOT** use water as this could damage the oven.

STORAGE

- When not in use, cover the oven with a waterproof cover once completely cooled.
- Remove loose paint and rust with a wire brush when needed and re-paint using High Temperature Paint.
- This product will start to develop surface rust when placed outdoors. This is to be expected. To reduce surface rust, rub the oven with an oily rag after use.

Assembly Instructions

IMPORTANT - Remove any packaging before use, but retain the safety instructions and store them with this product.

ASSEMBLY

STEP 1 - Attach 2 x trolley brackets (11) to wheel trolley section (12) and trolley section (13) using 4 x bolts (A) and 4 x washers (D) each side - total 8 x bolts and 8 x washers.

Note - the brackets will only attach a certain way round at particular ends of the trolley.

STEP 2 - Attach trolley shelf (14) to wheel trolley section (12) using 4 x bolts (A). Attach trolley shelf (14) to trolley section (13) using 4 x bolts.

STEP 3 - Feed wheel axle (15) through holes in wheel trolley section (12) and attach wheels (16) securing with one nut (B) per wheel. Cover nut with wheel cap (E).

STEP 4 - Attach body (2) to wheel trolley section (12) and trolley section (13) using 4 x bolts (A) and 4 x washers (D).

STEP 5 - Attach lower door with baffle plate (4) to body (2) using 1 x hinge bar (7). Secure using 2 x split pin (C).

STEP 6 - Attach upper door (3) to body (2) using 1 x hinge bar (7). Secure using 2 x split pin (C).

STEP 7 - Attach chimney (1) to body (2) using 3 x bolts (A) and 3 x washers (D).

STEP 8 - Attach handle (6) to body (2) using 2 x bolts (A) and 2 x washers (D).

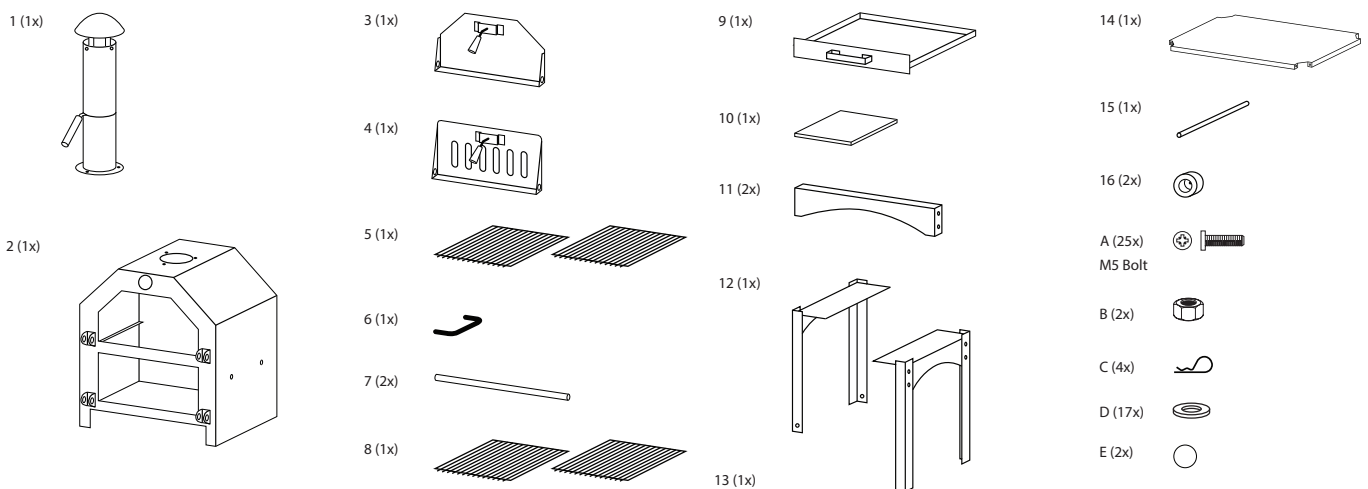
STEP 9 - Place 2-part fuel grate (8) on the ledge in the lower oven.

STEP 10 - Place 2-part stainless steel cooking grill (5) on the ledge in the upper oven, adding the pizza stone (10) if required.

STEP 11 - Slide in the ash drawer (9) between the body (2) and the trolley sections (12 and 13).

The Oven / Smoker is now ready to use but please ensure you have read these instructions thoroughly prior to use.

Parts list



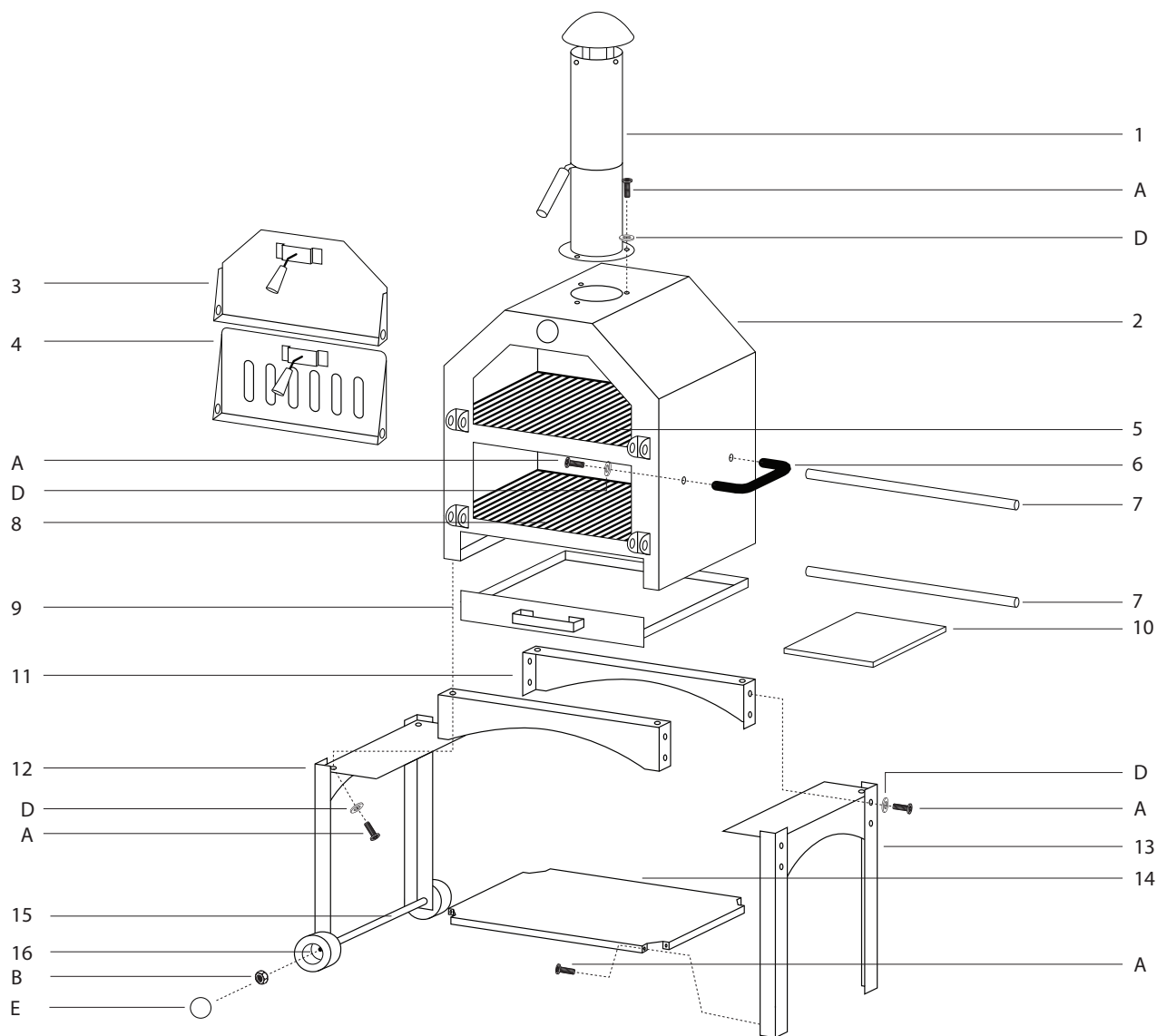
Prior to assembly, read the instructions carefully. Check all parts against the parts list.

Carry out assembly on a soft surface to avoid scratching the paint. Please retain this information for future reference.

For ease of assembly only loosely tighten bolts and then tighten fully when assembly is complete.

WARNING - DO NOT over tighten bolts; only tighten with moderate pressure to avoid damaging the bolts or components of the Oven.

Assembly diagram



WARNINGS – CAUTION!

- This product is intended FOR OUTDOOR USE ONLY. DO NOT USE INDOORS.
- NEVER leave a burning fire unattended.
- DANGER of carbon monoxide poisoning – NEVER light this product or let it smoulder or cool down in confined spaces.
- DO NOT use this product in a tent, caravan, car, cellar, loft or on a boat.
- DO NOT use under any awnings, parasols or gazebos.
- DO NOT overload the unit with fuel.
- FIRE HAZARD – Hot embers may emit while in use.
- WARNING - DO NOT use petrol, white spirit, lighter fluid, alcohol or other similar chemicals for lighting or relighting. Use only firelighters complying to EN1860-3!
- This product is ONLY suitable for use with untreated wood, logs or charcoal.
- DO NOT use this oven on decking or any other flammable surfaces such as dry grass, wood chips, leaves or decorative bark.
- Ensure that the oven is positioned at least 2 metres away from flammable items.
- DO NOT use this oven as a furnace.
- DO NOT handle or move the oven whilst alight as it will be hot.
- ALWAYS USE heat resistant gloves when in use as the unit will be hot.
- Allow the unit to cool down completely before moving or storing.
- ALWAYS keep children and pets at a safe distance from the oven when in use.
- Always inspect the unit prior to use for fatigue and damage and replace as and when necessary.