

# Cantilever Parasol Base

User Instructions - Please keep for future reference

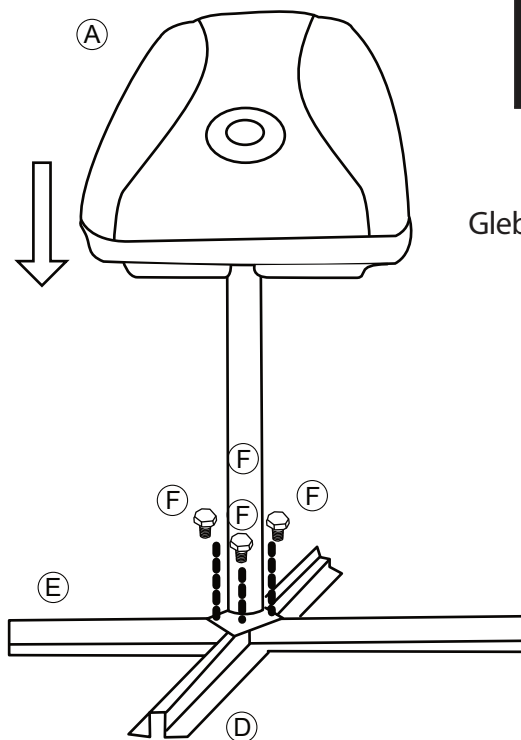
ArtVer#1

## Steps:

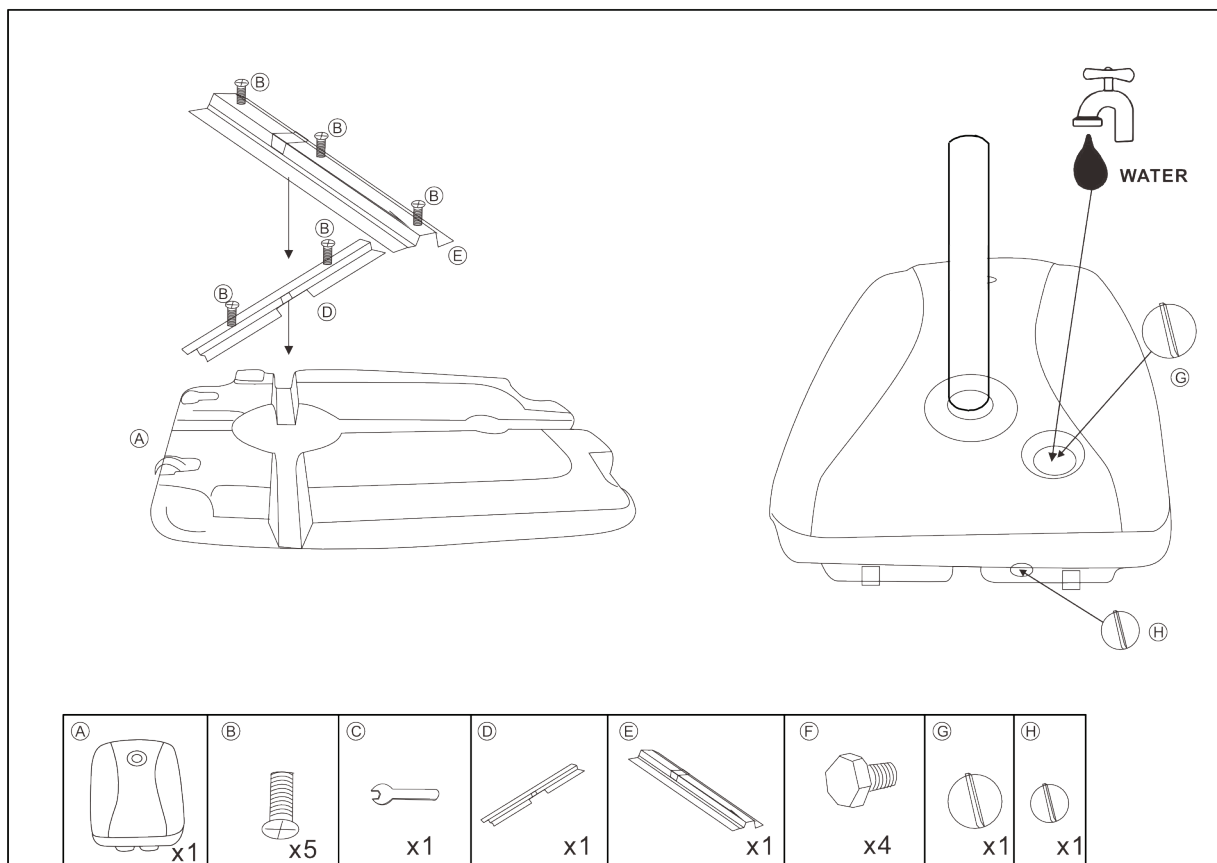
1. Attach your parasol pole (not included) to base parts D and E using bolts F.

2. Place part A down over the top of the assembled parts, secure from underneath using screws B.

3. Fill the base with water or sand, secure with screw G, (water/sand can be drained through screw H when required)



**Imported by:**  
KCT Leisure  
Glebe Farm, Old London Road  
Copdock  
Ipswich, Suffolk  
IP8 3JN  
United Kingdom



## IMPORTANT

Please ensure the base unit and parasol is constructed on a flat, even surface  
The base must be weighed down with water or sand etc. for it to remain stable