

# Contemporary Chiminea

User Instructions - Please keep for future reference

Art Version #3

**KCT  
DIRECT**

**Imported by:**

KCT Direct

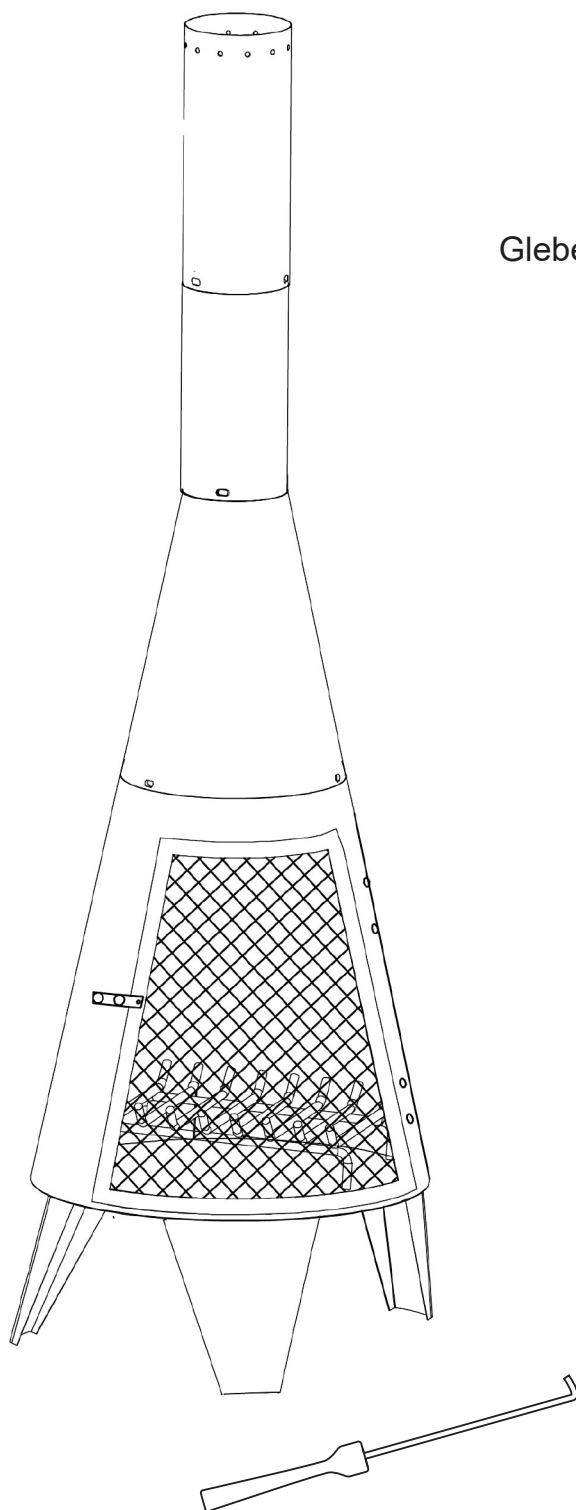
Glebe Farm, Old London Road

Copdock

Ipswich, Suffolk

IP8 3JN

United Kingdom



# DEAR CUSTOMER

Thank you for purchasing your new chiminea.

We put a lot of effort in the design and construction of our products to ensure they set the standard for quality, durability and ease of assembly.

## The Next Step...

There is no need to feel daunted by the number of parts and fittings in front of you, we have compiled this straight forward, step-by-step guide to make sure that assembling your chiminea is as easy as 1, 2, 3.

Before you begin, we advise that you check that you have everything you need to get started.

### TOP TIP

Find a space to spread these out across the floor before you begin assembling them. Lay each panel down in position, ready to build. It is recommended that two people assemble this product together.

The full list of component parts and fittings, as well as the tools you will need for assembly can be found on page 4 and 5 of this manual.

### TOP TIP

Identify all of the fittings, make sure that you have them all prepared and familiarise yourself with each component, to make things easier when you are putting it all together.

## Safety and Care Advice

**IMPORTANT** - The first step you need to take is to ensure your safety!

Please take the time to read and understand these instructions before assembling your chiminea.

Keep children and animals away from the assembly area.

This chiminea contains small parts that could cause choking if swallowed.

Keep all plastic wrapping materials away from children to avoid danger of suffocation.

Ensure that all packaging is disposed of carefully and responsibly.

Make sure that you allow enough space to move around when assembling your chiminea.

**Some parts may be sharp - please handle with care.**

## Safety Caution:

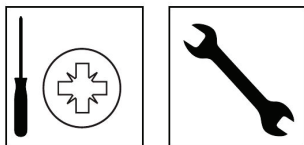
1. DO NOT use spirit or petrol for lighting or re-lighting! Use only firelights complying to EN 1860-3.
2. Always stand your appliance outdoors and on level ground away from trees and wooden fencing.
3. DO NOT light the fire with petrol, paraffin, methylated spirit, lighter fuel or alcohol. Use a specially formulated appliance lighting fluid, paste or fire lighters.
4. DO NOT attempt to light the fire if lighting fluid has been spilt over clothing.
5. DO NOT try to re-light the fire with lighting fluid as the charcoal may still be hot and cause a flare-up.
6. Keep children and pets at a safe distance from the appliance.
7. DO NOT attempt to move the appliance once it has been lit.
8. During use always use protective gloves when touching any part of the appliance.
9. Make sure that the appliance has completely cooled before removing the ash.
10. Flare-ups can occur if hot fat drips onto the burning charcoal. Keep a water sprayer handy to extinguish the flame.
11. Always ensure the chiminea is fully extinguished and completely cool before applying any covers (not supplied) or sotring away. Remember coal can remain hot sometime and could re-light under certian conditions unless fully damped down and/or extinguished.

**CAUTION!** To avoid damage the property, ALWAYS place this appliance on a surface which is suitably heat resistant as this chiminea will get extremely hot during opreation.

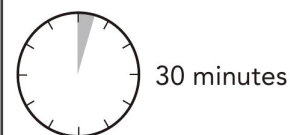
### WARNING!

Do not use this product inside or in a confined space as it could lead to carbon monoxide poisoning.

### Tools Required



### Time to assemble

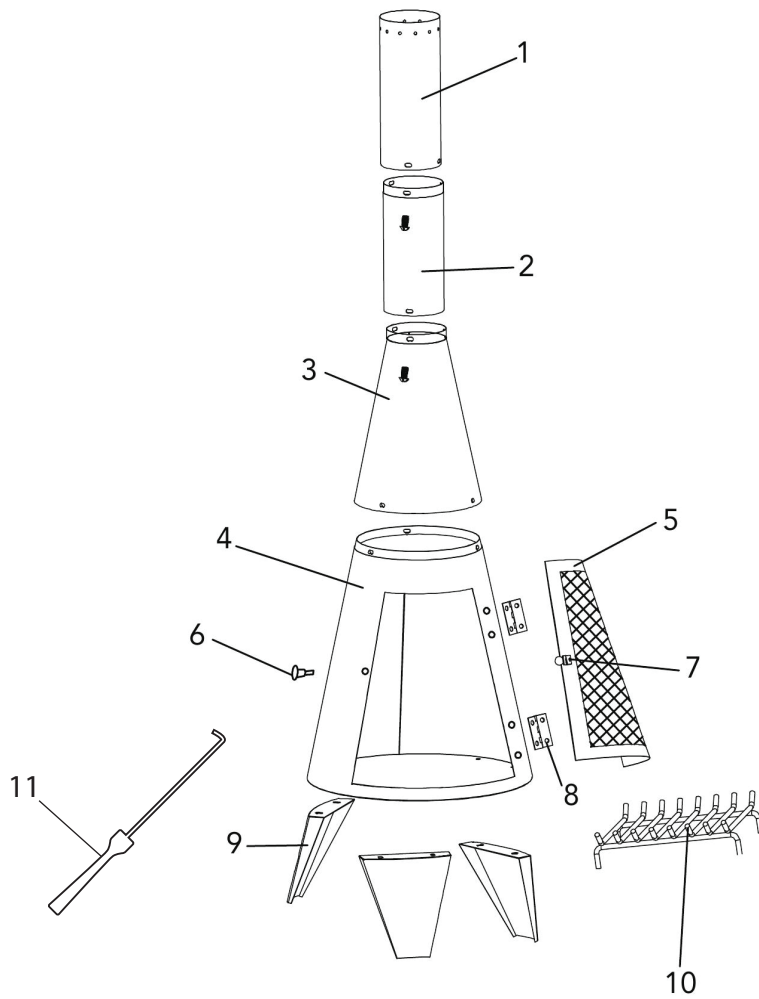


### Before you start

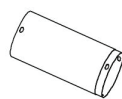
Check the pack and make sure you have all the parts listed above.

When you are ready and sure that you have the right tools to hand, you will need plenty of space and a clean dry area for assembly.

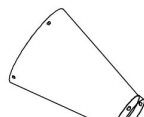
# Parts & Fittings



1: 1pc



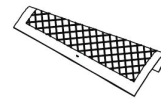
2: 1pc



3: 1pc



4: 1pc



5: 1pc



6: 1pc



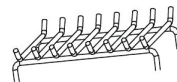
7: 1pc



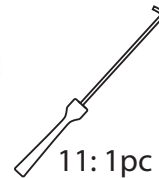
8: 2pcs



9: 3pcs



10: 1 pc



11: 1pc



M5

A: 1pc



M5 x 12

B: 16pcs



M4 x 12

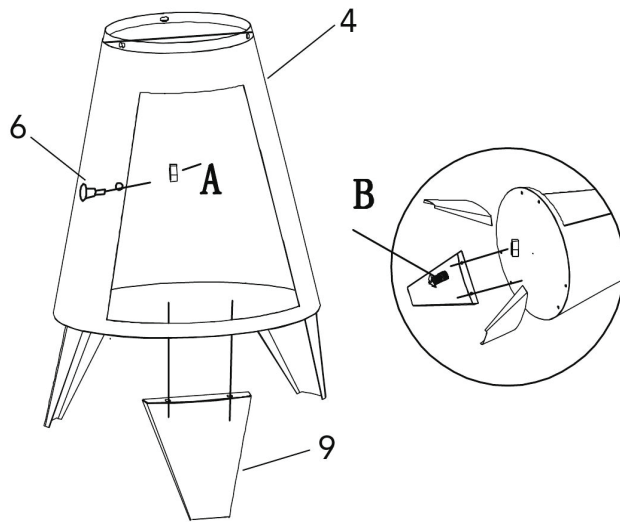
C: 8pcs



# Ready?

Follow this step-by-step guide

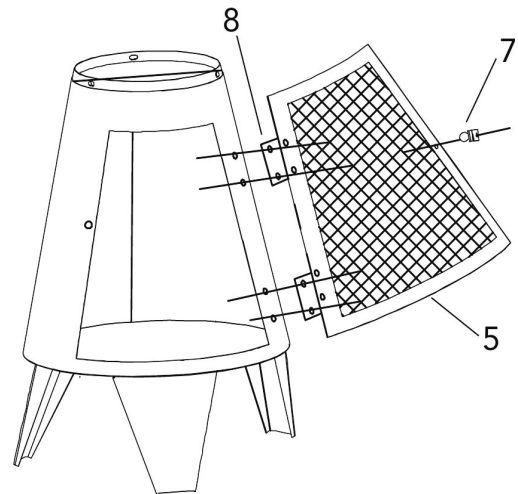
## Step 1:




A:  M5 1pc

B:   M5 x 12 6pcs

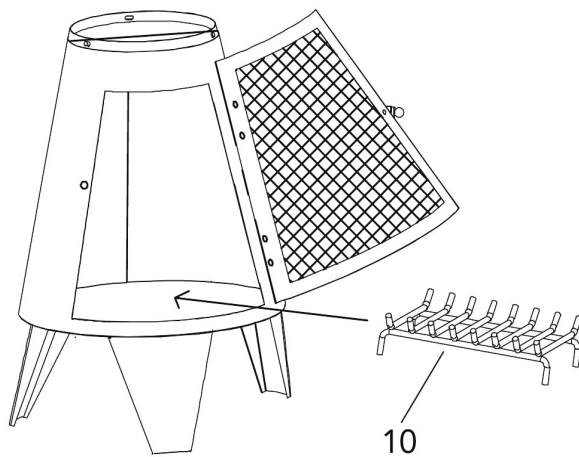
## Step 2:



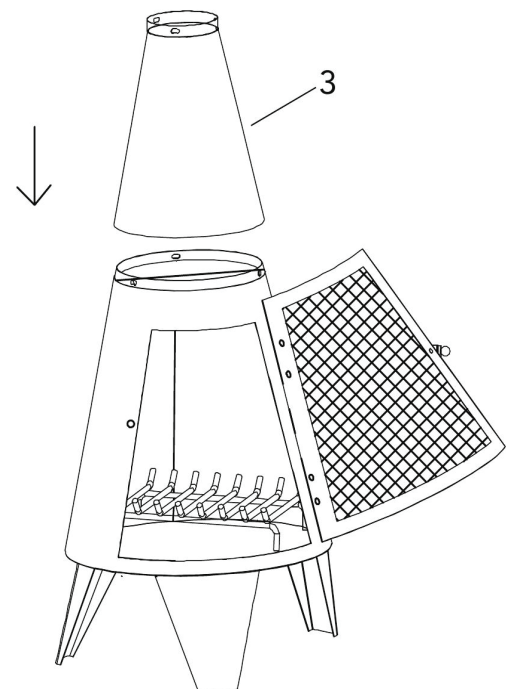
C:   M4 x 12 8pcs

B:   M5 x 12 1pc

## Step 3:

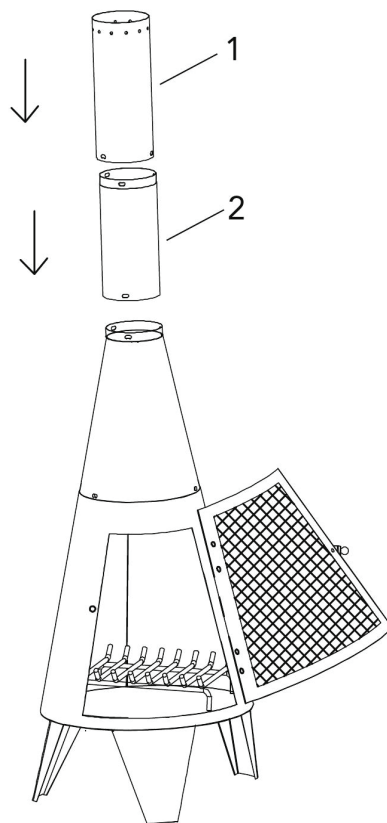


## Step 4:



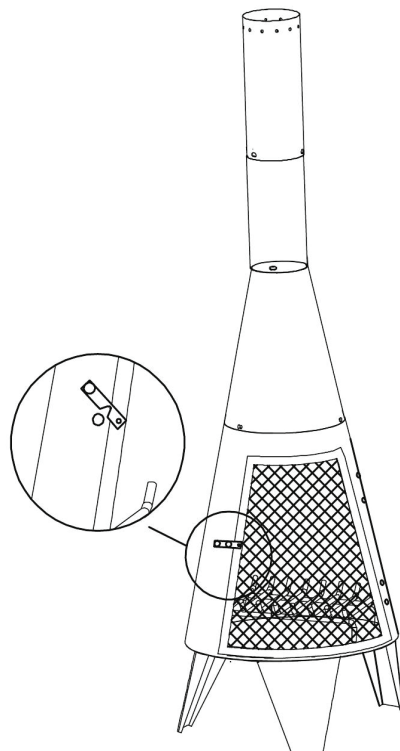
B:   M5 x 12 3pcs

Step 5:



B:   M5 x 12 6pcs

Step 6:



## Care and maintenance

- To maintain the finish, only clean using a soft damp cloth, not a metal brush.
- From time to time check that there are no loose fixtures or screws on this unit.
- This product should not be discarded with household waste. Take to your local authority waste disposal centre.

Finally, we hope you enjoy your chiminea for years to come and thanks again for your purchase.



**Imported by:**

KCT Direct  
Glebe Farm, Old London Road  
Copdock  
Ipswich, Suffolk  
IP8 3JN  
United Kingdom

**Manufacturer By:**

FoShan ShangOu  
JleRong Metal Products CO.,LTD  
China

