

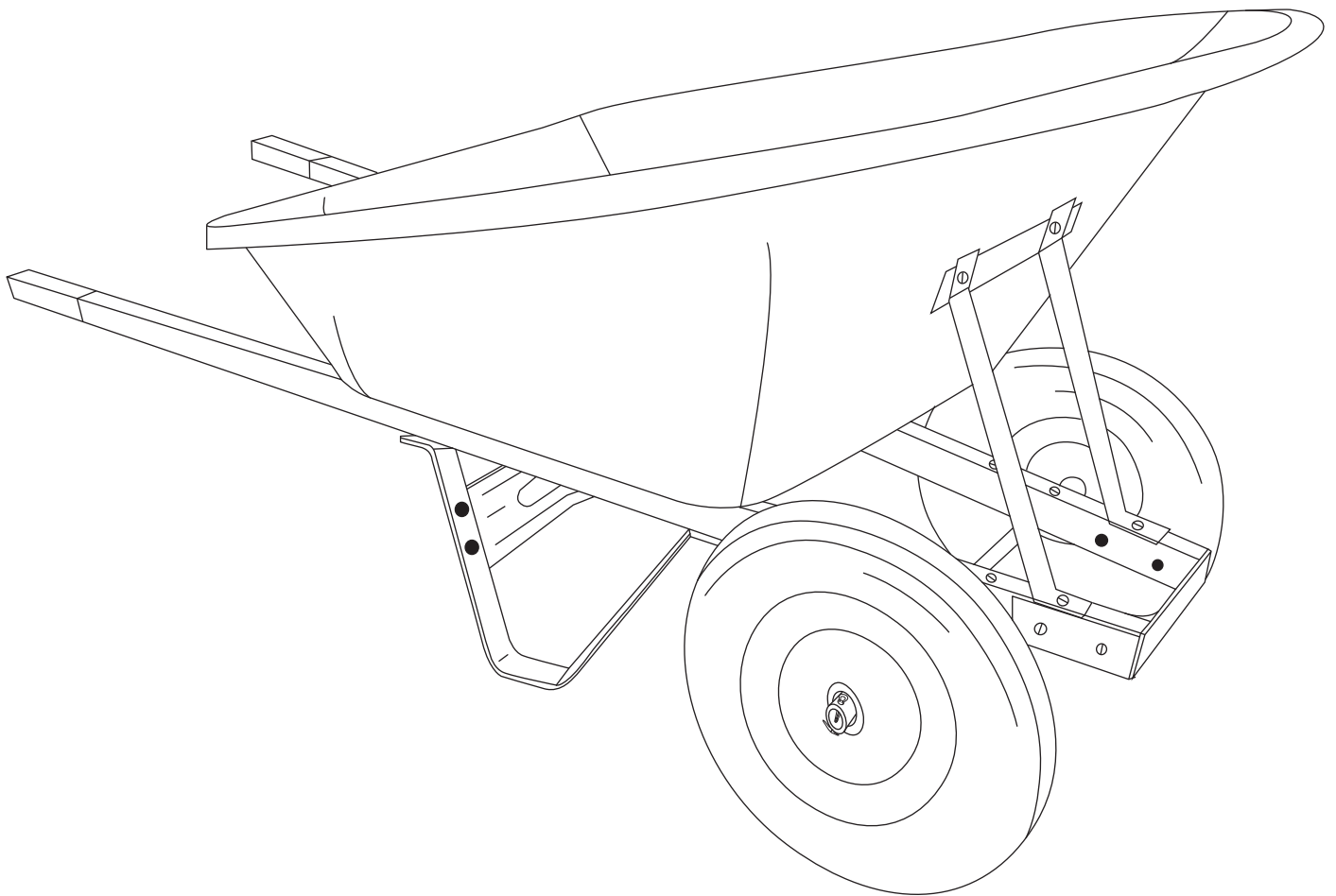
# 160/200L Twin Wheel Barrow

# KCT

GWB322/GWB333

**Imported by:**

KCT Direct  
Glebe Farm,  
Old London Road,  
Copdock, Ipswich,  
Suffolk, IP83JN,  
United Kingdom



IMPORTANT - Ensure all bolts are secured tightly before use.

1 Plastic Base

2 2X - Arms

3 2X - Legs

4 Leg Brace

5 2X - Wheels

6 Axle

7 Nose Guard

8 Front Bracket Plate

9 Tray Brackets

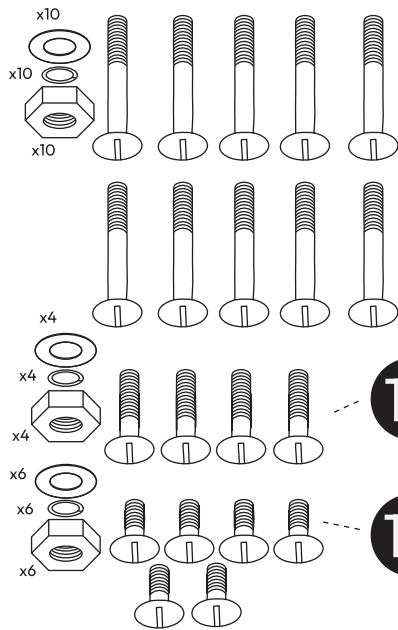
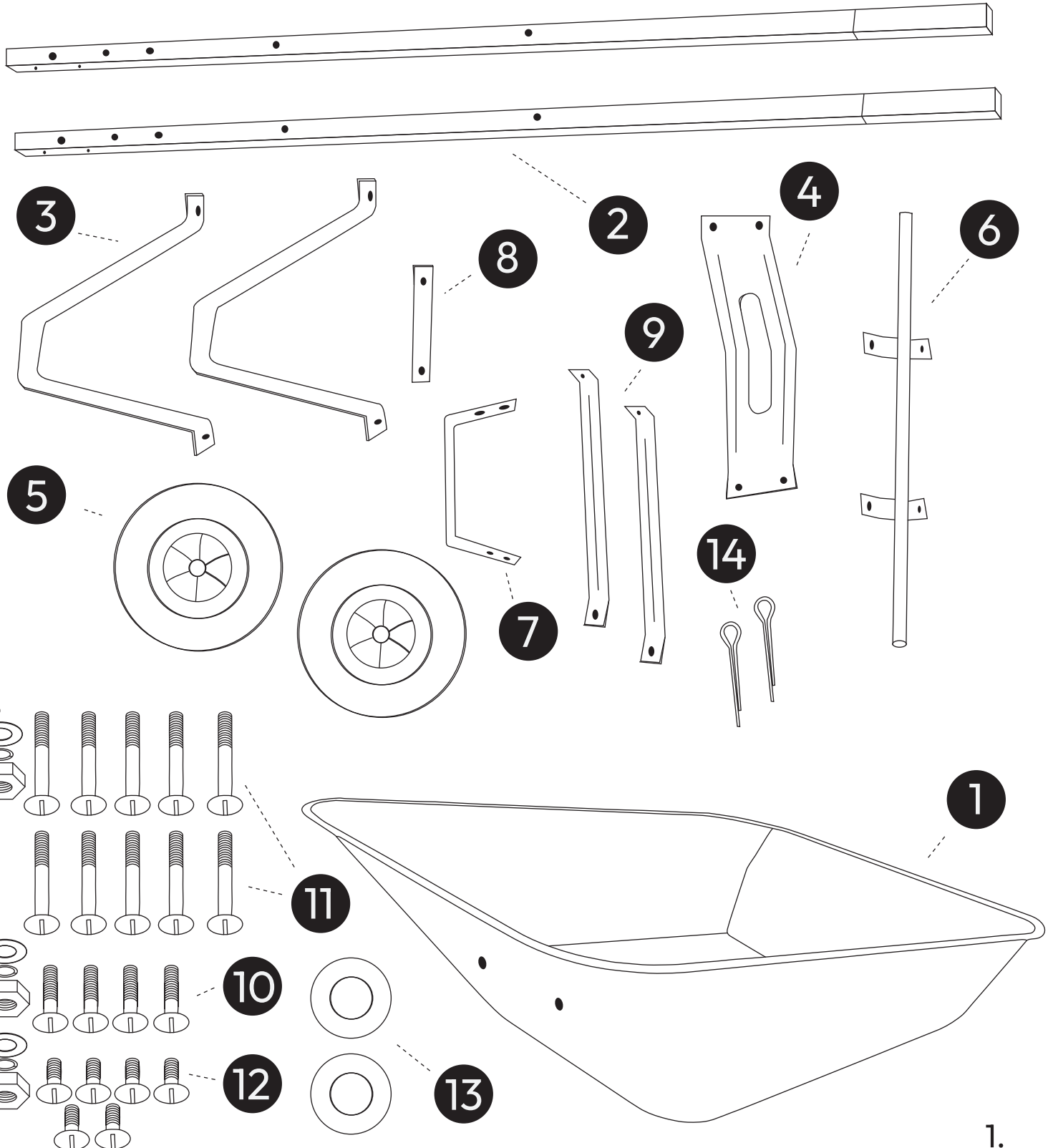
10 4X - 45mm Nuts, Washer & Bolts

11 10X - 75mm Nuts, Washer, Spring Washer & Bolts

12 6X - 25mm Nuts, Washer, Spring Washer & Bolts

13 2X - Wheel Washer

14 2X - Split Pin

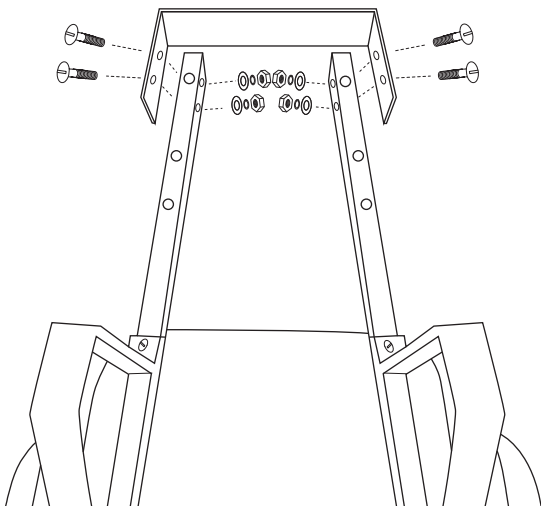
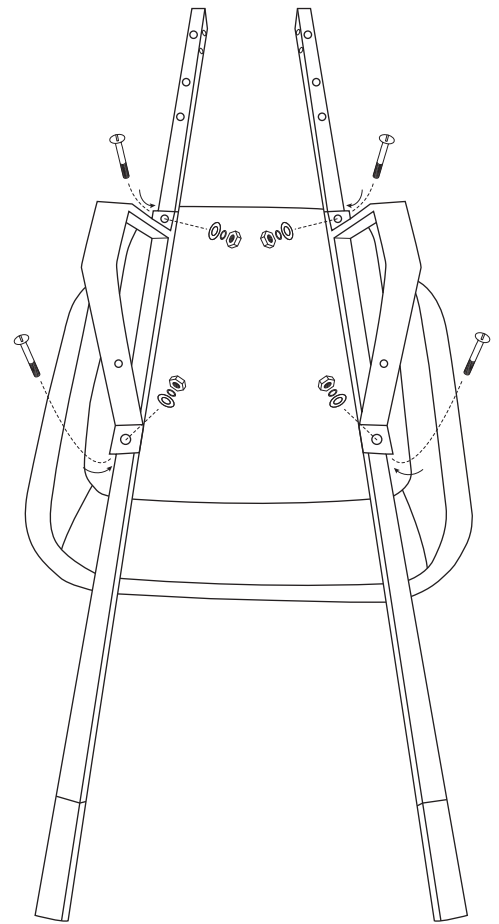


## Step 1

Align arms (2) onto the plastic base with the handles towards to back end.

Place the legs on top of the arms esuring the leg brace holes face the rear of the base.

Align all the bolt holes and secure both the legs and arms to the plastic base using four 75mm (11) nuts and bolts.



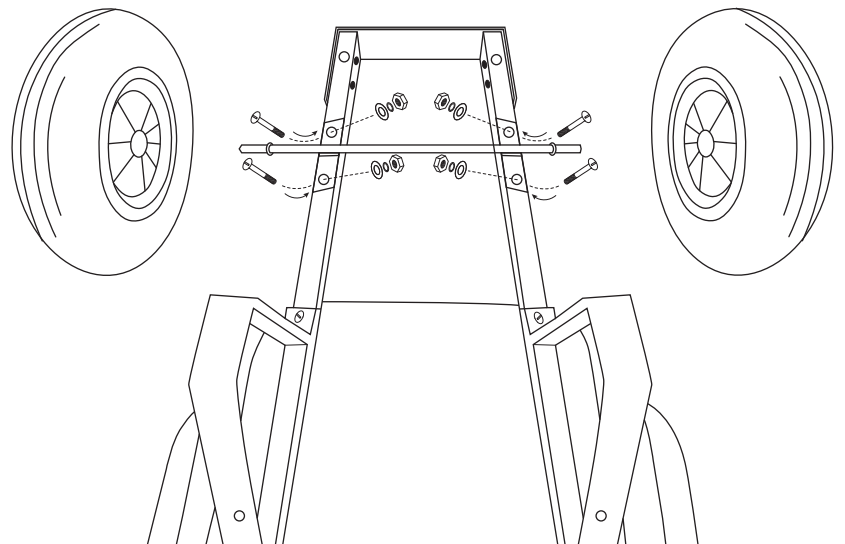
## Step 2

Attach the nose guard (7) to the front of the arms using four 45mm (10) nuts and bolts through the side.

## Step 3

Secure the axle (6) onto the bottom of the arms at the front using four 75mm (11) nuts and bolts.

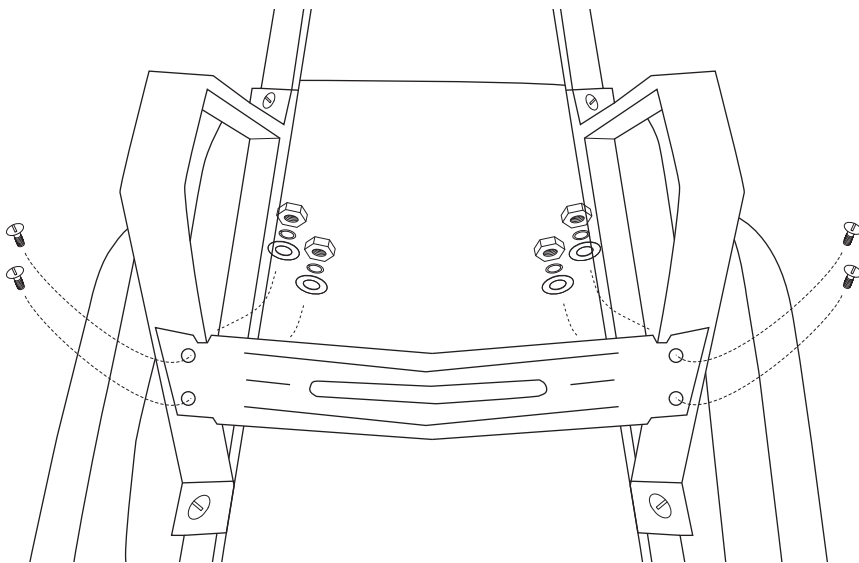
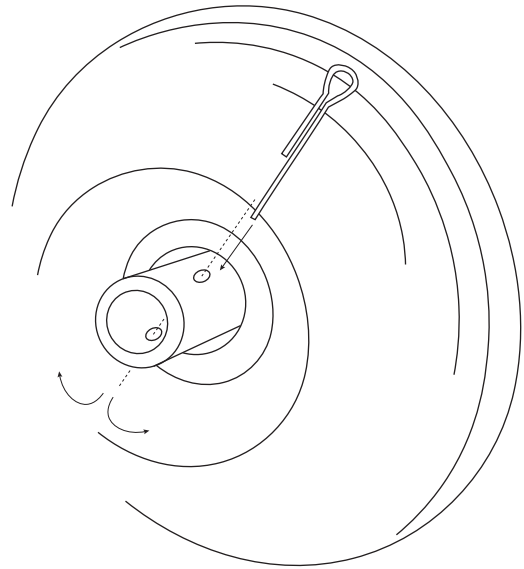
Slide the wheels (5) onto each end of the axle.



#### Step 4

Secure in place using the wheel washer first (13) and then the split pin (14).

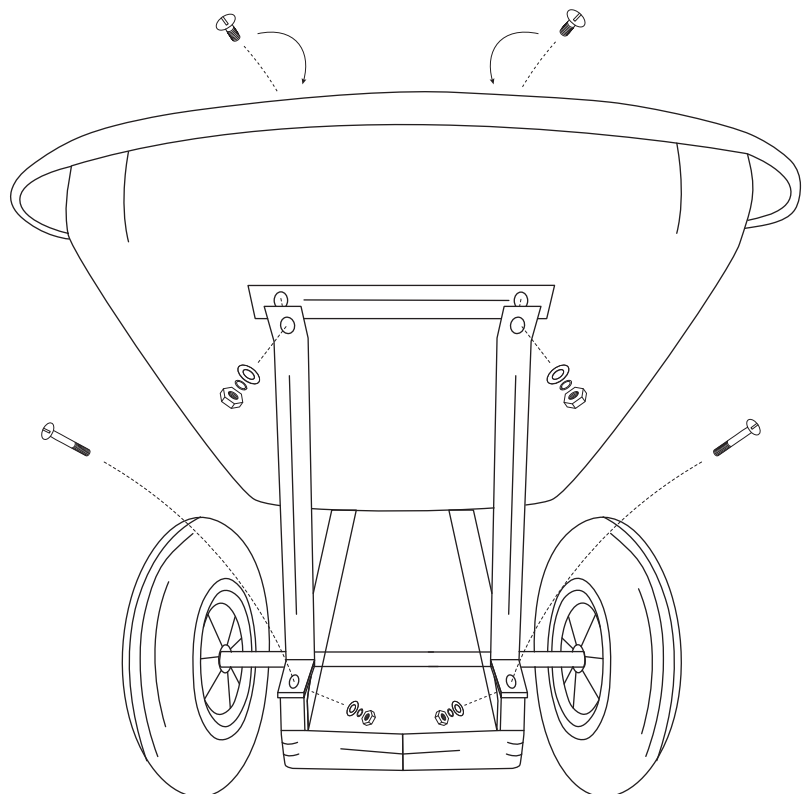
Insert the split pin into the holes shown and split the two sides of the pin where it exits. Repeat for other wheel.



#### Step 5

Place the leg brace (4) onto the back side of the legs.

Line up the holes and fasten in place using four 25mm (12) nuts and bolts.



#### Step 6

Secure the bottom side of the tray brackets (9) to the legs using two 75mm (11) nuts and bolts.

Place the front bracket plate (8) along with the other ends of the tray brackets to the plastic base and secure together using two 25mm (12) nuts and bolts.