

5 Line Retractable Indoor Airing

KCT

GLS121

Parts Included:

1. Retractable Dryer Unit
(A) Line bar
2. Wall plugs x2
3. 62mm screw x1
4. 38mm screw x1
5. Hooks x2

Imported by:

KCT Leisure
Glebe Farm, Old London Road,
Copdock,
Ipswich, Suffolk,
IP83JN,
United Kingdom

Assembly

Find a suitable location for the washing line unit, ensuring there is sufficient distance for the lines to extend to the opposite wall.

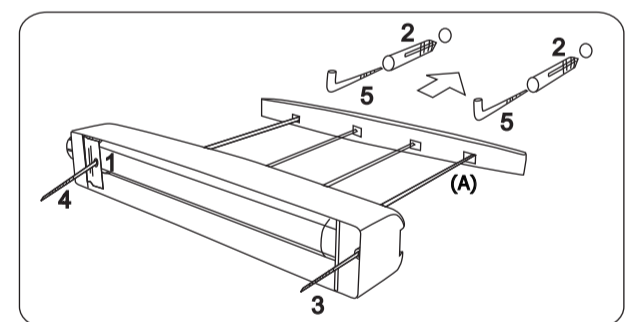
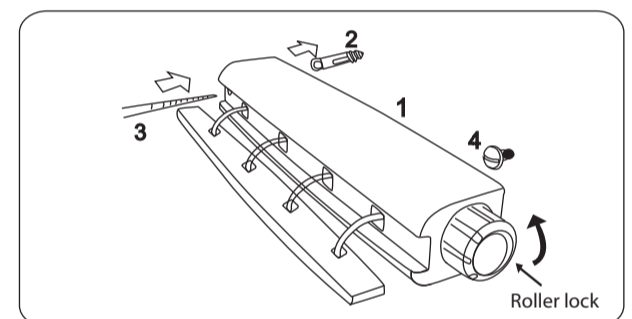
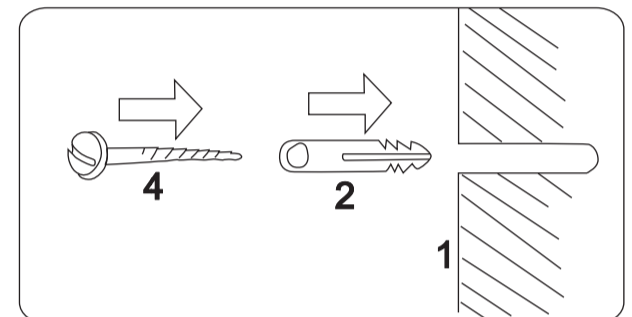
Mark the position for the 38mm (4) screw using the mounting hole nearest the turn wheel on the main unit as a guide. Drill and plug (2) the screw into the wall and fasten the roller lock side onto the wall.

With the first screw secure, mount the roller and ensure it is level. Then mark the position through the screw hole on the main unit for the 62mm (3) screw. Remove the roller and then drill and plug (2) the marked point. Now remount the roller to the first screw (4) and then secure the unit by fastening the second screw through the body of the roller.

Once the main body of the unit is secure and tightened in place, extend the line bar (a) to the opposite wall and mark the points for the hooks (5). Drill and plug the points then fasten the hooks into the plugs.

Releasing the roller lock; to do this, simply pull it outwards from the side of the ailer, turning the roller clockwise to unwind and anti-clockwise to rewind. To lock the roller simply push it back into the ailer.

Turn the roller anti-clockwise to tighten the lines and push in to lock. After use, unlock the line bar and carefully allow the lines to retract into the roller. Make sure to keep your fingers clear as the automatic rewind can be very quick.



Max Weight:
10-15KG

Caution!

- The retractable ailer is not a children's toy. Be aware, children can get caught in the lines!
- When not in use, always retract the lines back into the roller.
- For indoor and outdoor use.