



FiltoSmart 100/200/300

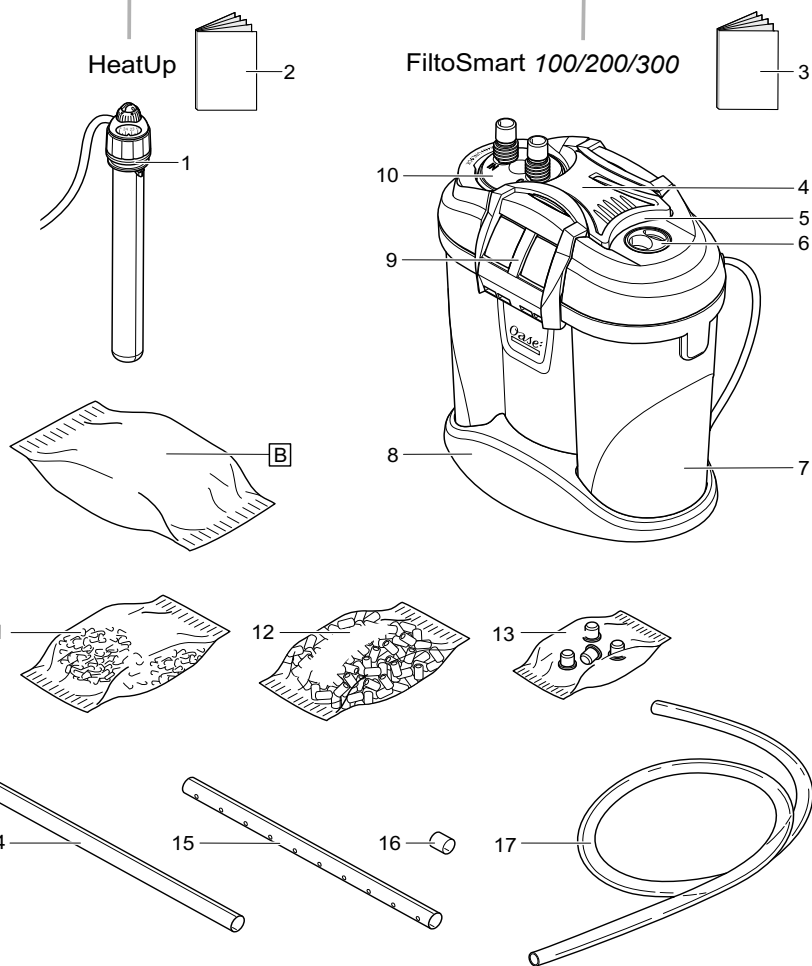
FiltoSmart Thermo 100/200/300

EN Operating instructions
FR Notice d'emploi
ES Instrucciones de uso



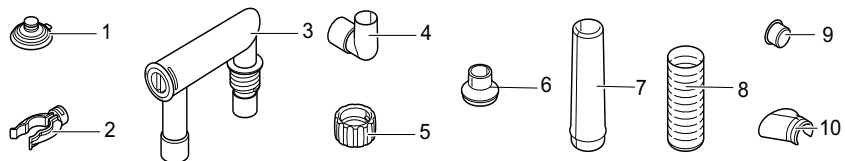
A

FiltoSmartThermo 100/200/300



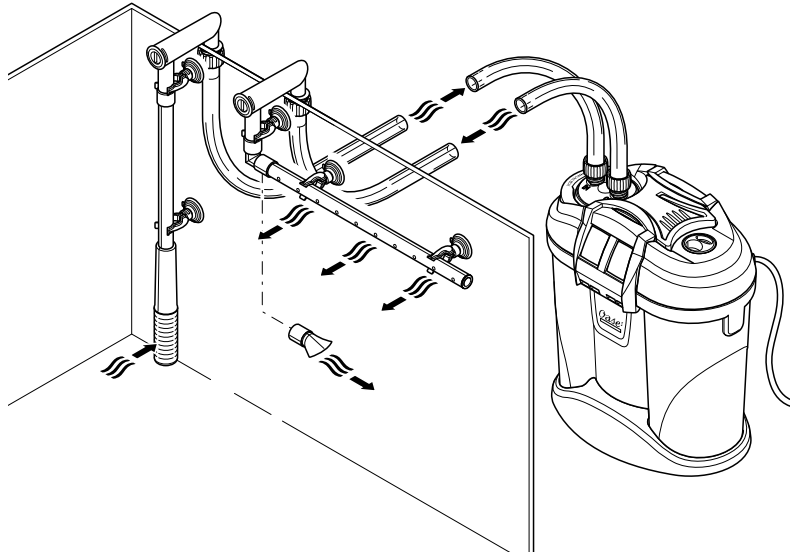
FST0001

B



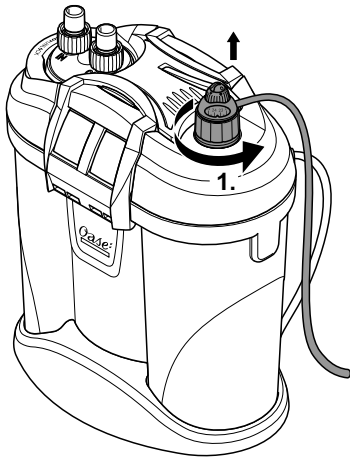
FST0002

C



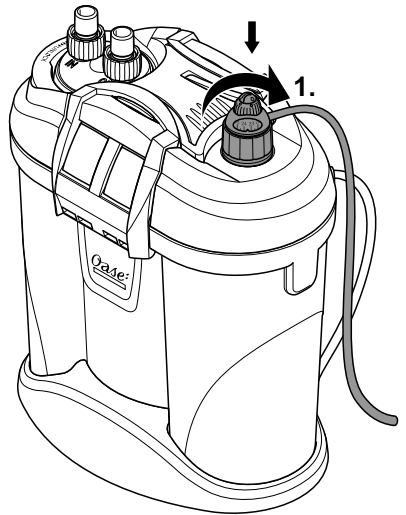
FST0004

D

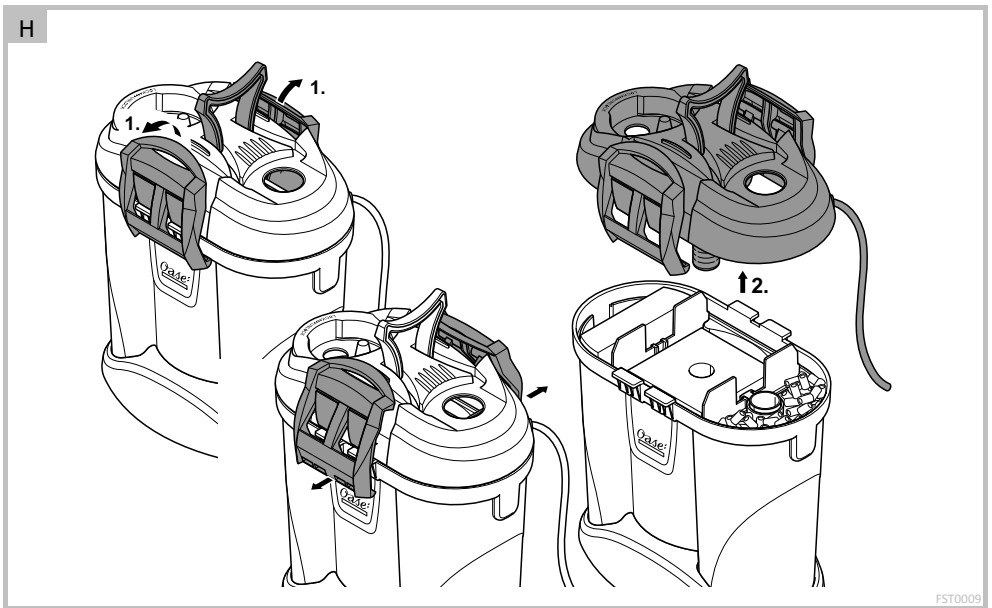
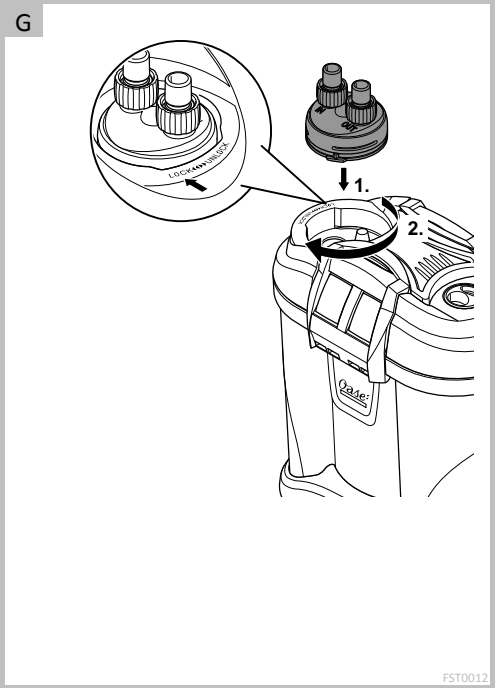
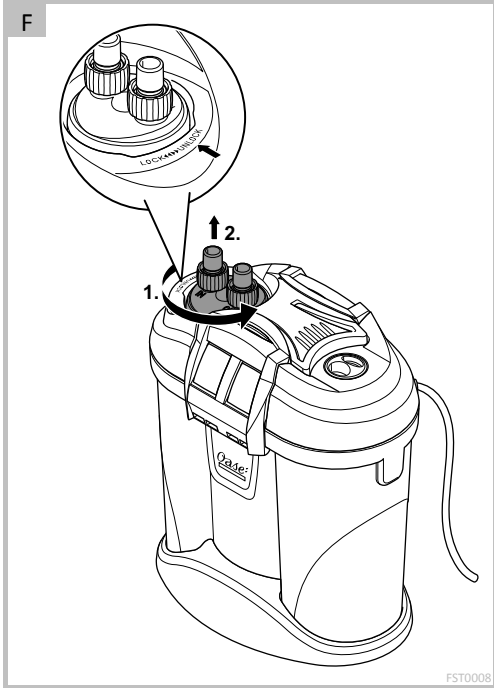


FST0007

E



FST0003

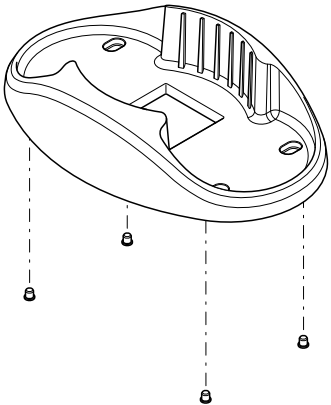


I

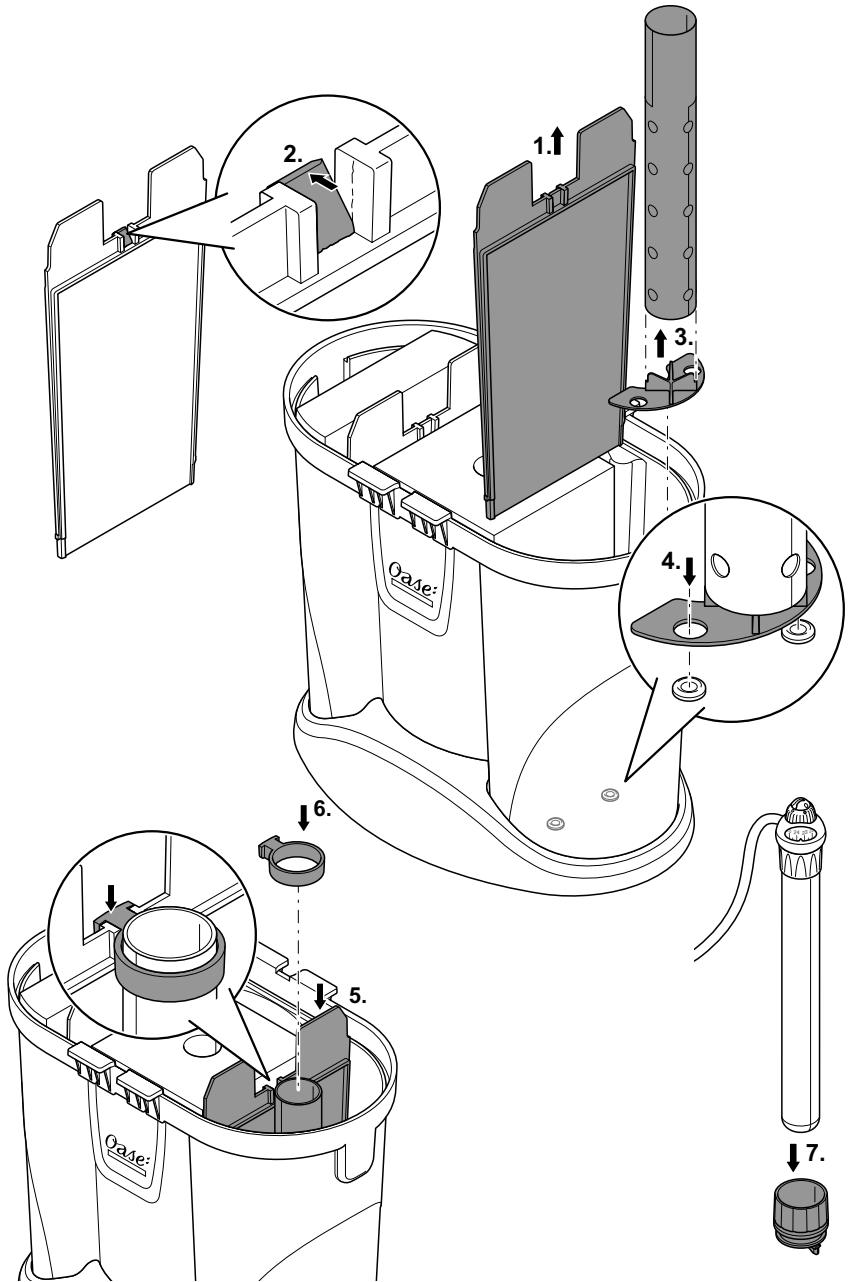


FST0010

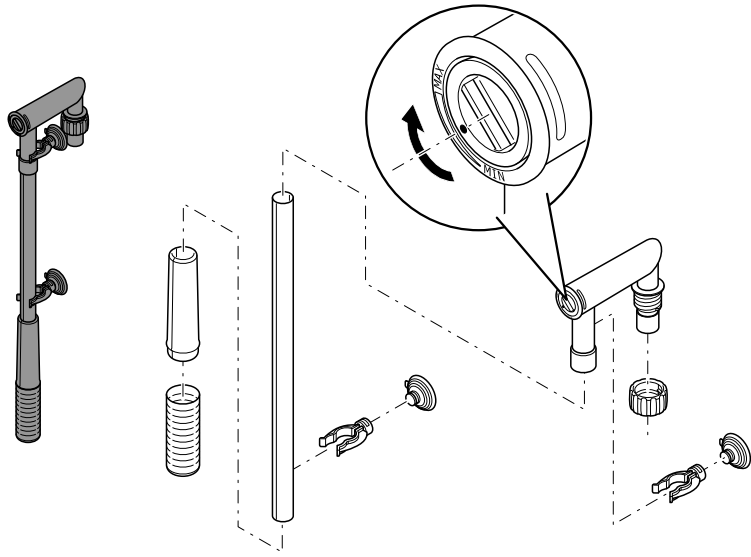
J



FST0006

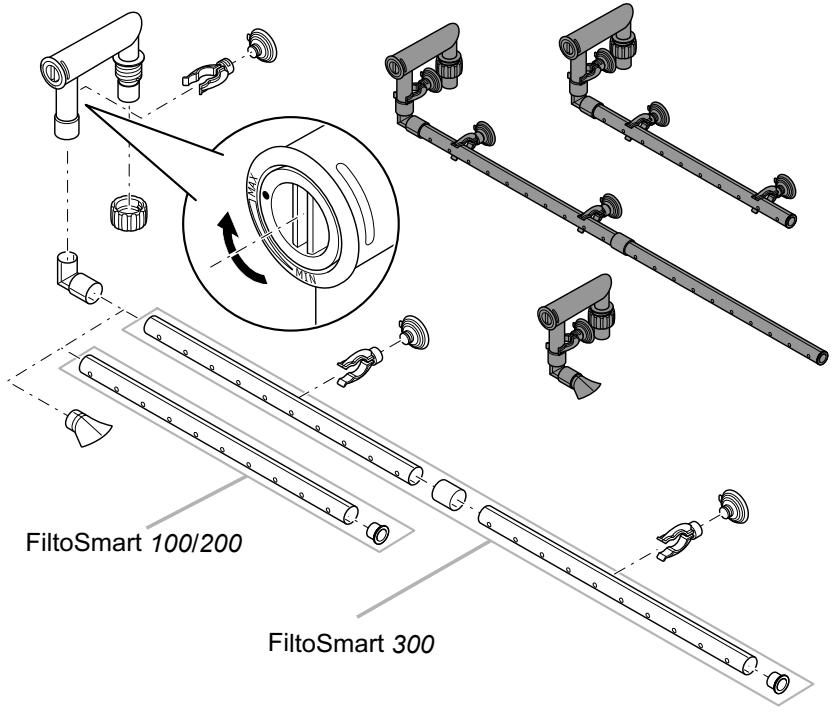


L



FST0015

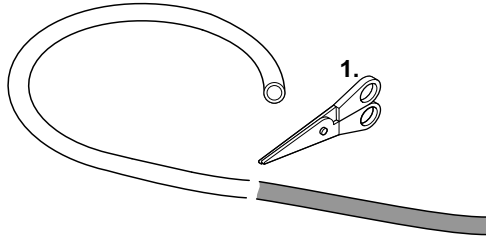
M



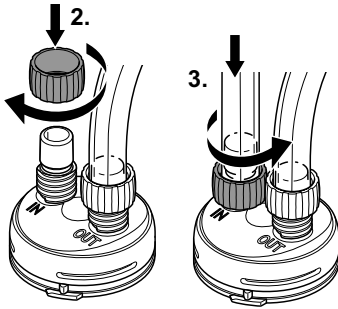
FiltoSmart 100/200

FiltoSmart 300

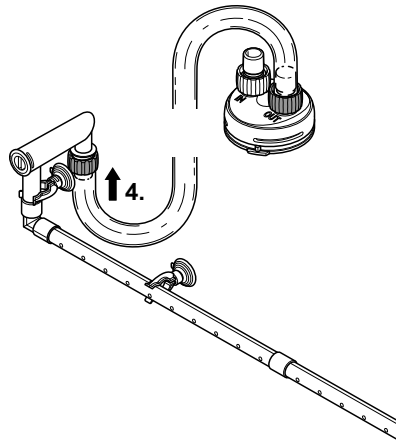
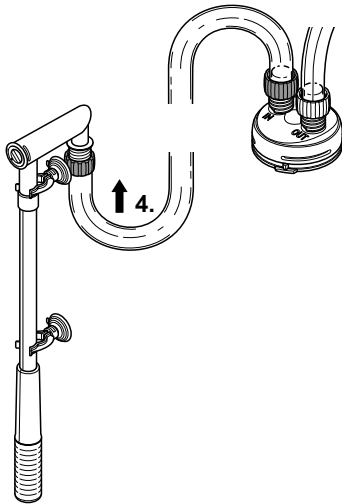
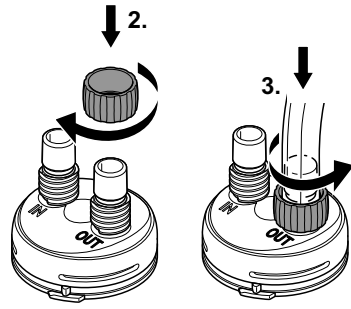
FST0016



IN



OUT

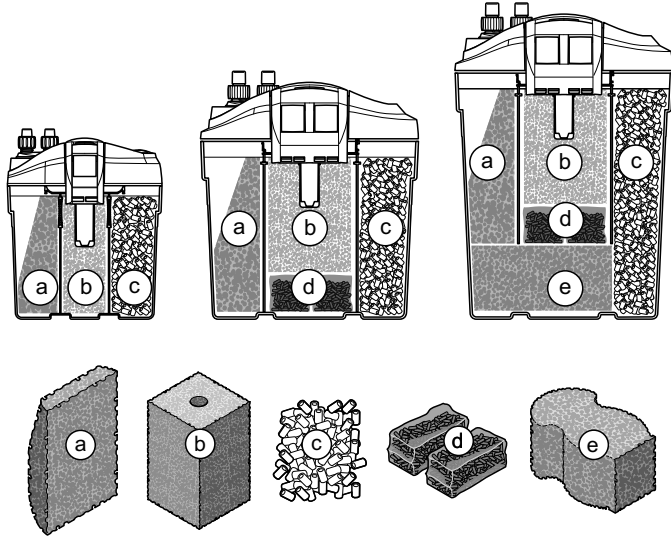


O

FiltoSmart 100
FiltoSmart Thermo 100

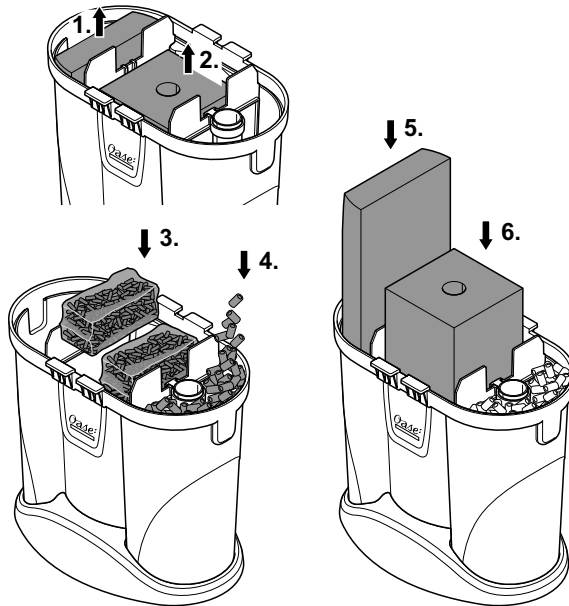
FiltoSmart 200
FiltoSmart Thermo 200

FiltoSmart 300
FiltoSmart Thermo 300



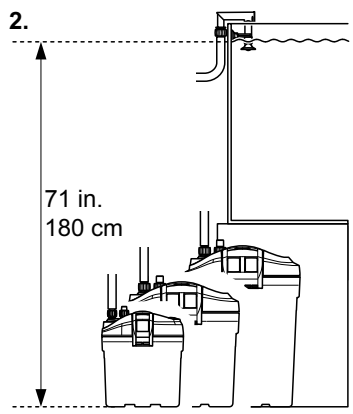
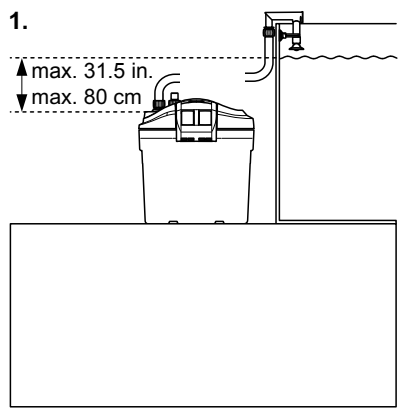
FST0005

P



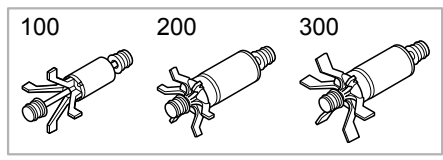
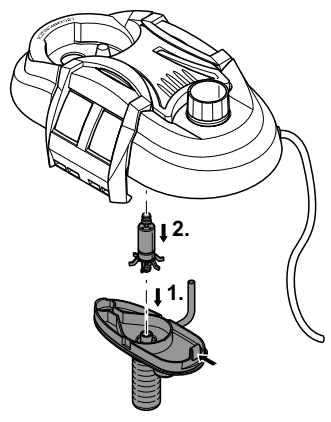
FST0014

Q



FST0023

R



FST0018

IMPORTANT SAFETY INSTRUCTIONS - READ AND FOLLOW ALL SAFETY INSTRUCTIONS!

Keep these instructions in a safe place.

SAFETY INFORMATION This unit can be used by children aged 8 and above and by persons with reduced physical, sensory or mental capabilities or lack of experience and knowledge if they are supervised or have been instructed on how to use the unit in a safe way and they understand the hazards involved. Do not allow children to play with the unit. Only allow children to carry out cleaning and user maintenance under supervision. Disconnect the power plug before carrying out any work on the unit.

WARNING- To guard against injury, basic safety precautions should be observed, including the following:

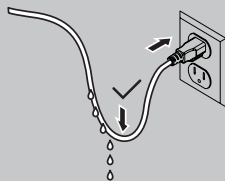
- **DANGER** - To avoid possible electric shock, special care should be taken since water is employed in the use of aquarium equipment. For each of the following situations, do not attempt repairs by yourself; return the appliance to an authorized service facility for service or discard the appliance
- Unplug all units in the aquarium and disconnect the power plugs of all units before reaching into the water or moving/cleaning the unit.
- **CAUTION!** Risk of Electric Shock - Don't use the pump when there are people in the water.
- **CAUTION!** This unit has been evaluated for use with water only.
- **WARNING!** To reduce the risk of electric shock, use only on portable self-contained fountains.
- **DANGER!** Never operate the unit if either the electrical cables or the housing are defective!
- Do not install or store the appliance where it will be exposed to the weather or to temperatures below freezing.
- Do not carry or pull the unit by its electrical cable.
- In case of retrofitting, please read and follow heater instruction manual

- If an extension cord is necessary, a cord with a proper rating should be used. A cord rated for less amperes or watts than the appliance rating may overheat. Care should be taken to arrange the cord so that it will not be tripped over or pulled.
- Don't attempt to open the pump/motor enclosure.
- Route cables/hoses such that they are protected from damage and do not present a tripping hazard.
- Only open the unit housing or its attendant components, when this is explicitly required in the operating instructions.
- **DANGER!** Only carry out work on the unit that is described in this manual. If problems cannot be overcome, please contact an authorised customer service point or, when in doubt, the manufacturer.
- Only use original spare parts and accessories for the unit.
- **DANGER!** Never carry out technical modifications to the unit. Don't cut the cord or remove the plug from the cord.
- Power connection cables cannot be replaced. If a cable is damaged, dispose of the respective unit or components.
- The impeller unit in the pump contains a magnet with a strong magnetic field that may affect the operation of pacemakers or implantable cardioverter defibrillators (ICDs). Always keep magnets at least 0.7 ft. away from implanted devices.

Electrical connection

- Read and observe all the important notices on the appliance.
- In case of retrofitting, please respect the recommended power shown in the table of P.18, using only OASE HeatUp heaters
- Only connect the unit if the electrical data of the unit and the power supply coincide. The unit data is to be found on the unit type plate, on the packaging or in this manual.
- Protect the plug connections from moisture.
- Only plug the unit into a correctly fitted socket.
- Do have all electrical outlets installed and serviced by a licensed electrician.
- **DANGER!** Do not disconnect the pump from the electrical outlet at the first sign of any problem.
- **DANGER!** If the plug or receptacle does get wet, DON'T unplug the cord. Disconnect the fuse or circuit breaker that supplies power to the appliance. Then, unplug and examine for presence of water in the receptacle.
- **DANGER!** Don't pinch, twist or damage the electrical cord. A minor cut even if only in the outer shell could allow water to reach the motor enclosure and damage the pump. If you notice any damage to the cord remove the pump and store in a dry place. Consult any damage to the electrical cord will void all warranties and could cause serious electrical shock hazard.

- To avoid the possibility of the appliance plug getting wet prevent water from dripping onto plug. A “drip loop,” shown in the figure below, should be arranged by the user for each cord connecting an aquarium appliance to a receptacle. The “drip loop” is that part of the cord below the level of the receptacle, or the connector if an extension cord is used, to prevent water traveling along the cord and coming in contact with the receptacle.



SAVE THESE INSTRUCTIONS!

Symbols used in these instructions

Warnings

The warning information is categorized by signal words, which indicate the extent of the hazard.



WARNING

- Indicates a possibly hazardous situation.
- Non-observance may lead to death or serious injuries.



NOTE

Information for the purpose of clarification or for preventing possible damage to assets or to the environment.

Additional information

- A Reference to a figure, e.g. Fig. A.
- Reference to another section.

PRODUCT DESCRIPTION

Scope of delivery

<input type="checkbox"/> A	FiltoSmart Thermo
1	Holding ring with thermo-control heater HeatUp FiltoSmart Thermo 100: HeatUp 100 FiltoSmart Thermo 200: HeatUp 200 FiltoSmart Thermo 300: HeatUp 300
2	Operating manual for thermo-control heater HeatUp

FiltoSmart: A blind plug is fitted instead of the thermo-control heater HeatUp.

<input type="checkbox"/> A	FiltoSmart, FiltoSmart Thermo	Quantity		
		100	200	300
3	Operating manual for FiltoSmart 100/200/300 , FiltoSmart Thermo 100/200/300	1	1	1
4	Unit head	1	1	1
5	Handle, adjustable	—	1	1
6	Blind plug	1	1	1
7	Container, filled with filter media	1	1	1
8	Foot	1	1	1
9	Locking clip	2	2	2
10	Connection unit with hose connector, outlet (OUT) and inlet (IN)	1	1	1
B	Connection set	1	1	1
11	Filter bag with activated carbon	—	2	2
12	Ceramic substrate	1	2	3
13	Bag with 4 feet	1	1	1
14	Suction pipe	1	1	1
15	Flow-out pipe	1	1	2
16	Short hose section as connecting piece for flow-out pipes (15)	—	—	1
17	Hose	1	1	1

<input type="checkbox"/> B	Connection set for FiltoSmart, FiltoSmart Thermo	Quantity		
		100	200	300
1	Suction cup	5	5	5
2	Clamp	5	5	5
3	Hose adapter, adjustable	2	2	2
4	Angle piece	1	1	1
5	Union nut	4	4	4
6	Adapter, suction pipe FiltoSmart 100	1	—	—
7	Adapter, suction pipe FiltoSmart 200/300	—	1	1
8	Suction basket FiltoSmart	1	1	1
9	Cover cap	1	1	1
10	Water distributor	1	1	1

Intended use

FiltoSmart 100/200/300, FiltoSmart Thermo 100/200/300, referred to as "unit", may only be used as specified in the following:

- **FiltoSmart:** Water filtering and recirculation.
- **FiltoSmart Thermo:** Water heating, filtering and recirculation.
- For operation with freshwater or saltwater.
- Operation under observance of the technical data.

The following restrictions apply to the unit:

- Only use indoors and for aquaristic purposes in the home (not for commercial use).
- Only operate with water at a water temperature of +4 °C to +35 °C.

Function description

C

Drawn in by a pump in the unit head, the water flows through two filter chambers arranged next to each other. Then the water flows back into the aquarium via the flow-out pipe or water distributor.

Foam filters with different pore densities, and activated carbon/ceramic substrate serve as filter media. In units with heater, the water is heated during its passage through the filter system.

Retrofitting

FiltoSmart 100/200/300 can be retrofitted with OASE HeatUp (following table).

- The retrofit set ThermoFit (following order numbers) is required for installation.

FiltoSmart		100	200	300
HeatUp	25	○	○	○
	50	○	○	○
	100	●	○	○
	150	—	○	○
	200	—	●	○
	300	—	—	●

○: Suitable ●: Particularly recommended

- 48507 ThermoFit FiltoSmart 100
- 48532 ThermoFit FiltoSmart 200
- 48567 ThermoFit FiltoSmart 300

ACCESSING THE UNIT



NOTE

The following applies to all units with heater:

- Adhere to the rules for careful handling. (→ Careful handling of the heater)

Careful handling of the heater



CAUTION

Hot surface!

Risk of burns when touching the glass bulb.

- Unplug the heater and allow it to cool down before removing it from the water.



CAUTION

Risk of breaking the glass!

The glass bulb of the heater can break and cause cuts.

- Take care when handling the heater.
- Allow the heater to cool down first. Do not immerse it in cold water or pour cold water over it.
- Take care of glass fragility when installing the heater in the adapter or the opposite operation

Removing the heater

The heater has to be removed for cleaning and maintenance, and for removing the unit head.

How to proceed:

D

1. Unscrew the holding ring together with the heater counter-clockwise.

Fitting the heater

How to proceed:

E

1. Screw the holding ring with heater clockwise into the threaded hole.
 - To exchange the heater: Moisten the glass bulb with water and push the heater into the holding ring as far as it goes.

Removing the connection unit

The heater has to be removed for cleaning and maintenance, and for removing the unit head when hoses are connected.

How to proceed:

F

1. Turn the bayonet closure in the direction "UN-LOCK".
2. Remove the connection unit.

Fitting the connection unit

How to proceed:

G

1. Fit the connection unit.
 - Ensure that the ridges on the connection unit are correctly aligned to the recesses on the unit head.
2. Turn the bayonet closure in the direction "LOCK".

Dismantling the unit head

It has to be removed for cleaning and maintenance and for changing the filter media.

Prerequisite:

- The heater has been removed. (→ Removing the heater)
- The connection unit has been removed. (→ Removing the connection unit)

How to proceed:

H

1. Undo the fasteners.
2. Remove the unit head.

Fitting the unit head

How to proceed:

I

1. Check that the seal on the unit head is correctly positioned.
 - Clean the seal, replace it if damaged.
2. Ensure that the vent hose is in place and is pointing upwards.
3. Fit the unit head onto the container.
4. Hinge all fasteners up and lock them in place.

Fitting the retrofit set



NOTE

The following applies to all units with heater:

- Adhere to the rules for careful handling. (→ Careful handling of the heater)

Prerequisite

- The unit head is removed. (→ Dismantling the unit head)

How to proceed:

K

1. Take out a separating plate.
2. Remove any residue from the removal of the separating plate.
3. Push the stand into the heater tube.
4. Fit the heater tube with tube holder into the recess in the bottom of the container.
5. Insert the separating plate again.

6. Fit the holder and fasten it onto the separating plate (FiltroSmart 200/300) or to the wall of the container (FiltroSmart 100).
7. Push the heater into the holding ring as far as it goes.
 - To facilitate installation, moisten the glass bulb of the heater with water.
 - Do not fit the heater until all work has been completed. (→ Fitting the unit head)
 - Ensure that the O ring is correctly positioned.

INSTALLATION AND CONNECTION

Order of tasks to be carried out:

1. If the unit is to be installed in a standing position: Fit the enclosed rubber feet onto the base of the container.
2. Retrofit the heater unit if necessary (→ Fitting the retrofit set)
3. Position the filter media (→ Cleaning/replacing the filter media)
4. Install the unit.
 - Install the unit next to or under the aquarium. Note the maximum head height. (→ Technical data)
5. Establish the connections (→ Establishing the connections)

Ensure adequate stability

J

To increase stability, the container is fitted in a stand (removable).

- Screw the enclosed rubber feet into the stand.
- Only install the container with the stand fitted.

Establishing the connections

Assembling the suction unit

How to proceed:

L

- Assemble the suction unit.
- Set the flow rate.
 - Use a coin to turn the flow regulator in the hose adapter in the direction of MIN or MAX.

Assembling the flow-out unit

How to proceed:

M

- Assemble the flow-out unit.
 - The water distributor can be used instead of the flow-out pipe.
- Use a coin to turn the flow regulator in the hose adapter to MAX.

Connecting the hose

The procedure is identical for the inlet (IN) and outlet (OUT).

How to proceed:

N

1. Shorten the hose to the required length.
 - Chose the length so that the hose cannot kink in the intended installation position.
2. Screw the union nut onto the hose connector of the connection unit.
3. Push the hose onto the hose connector and turn the union nut counter-clockwise to fix the hose in place.
4. Push the other end of the hose onto the hose connector at the suction unit/flow-out unit and turn the union nut counter-clockwise to fix the hose in place.

C

- Fasten the suction unit and flow-out unit in the aquarium using suction cups.

COMMISSIONING/START-UP



NOTE

Thoroughly rinse out all filter material with warm tap water before using for the first time in order to remove any soiling. (→ Cleaning/replacing the filter media)



NOTE

Ensure that the pump never runs dry!

The pump will be destroyed.

- Regularly check the water level and circulation in the filter and in the aquarium.



NOTE

Risk of fire due to the hot surface of the heater!

The heater and filter can be destroyed by the generated heat.

- Do not plug in the heater on until the filter is completely filled with water, plug in and the water is continuously circulated.
- Unplug the heater and allow it to cool down before removing it from the water.

How to proceed:

Q

- Completely fill the container with water and place it next to the aquarium.
 - Fill the container via the opening for the heater. For this, remove the heater or blind plug. (→ Removing the heater)
 - When starting it up for the first time, ensure that the connection unit is max. 80 cm below the surface of the water. Ensure that the water outlet (flow-out pipe or water distributor) is not submerged.
 - A completely filled filter may be more than 80 cm below the surface of the water. Note the maximum head height. (→ Technical data)
- Route each power connection cable such that it forms a drip loop.
- **Unit with heater:** Set the water temperature on the heater. (→ Heater operating manual).

Switching on: Connect the unit to the mains. The unit switches on immediately. When the unit is plugged in, it takes several minutes for the air to escape from the unit (this makes a noise).

- Adjust the flow at the flow regulator if necessary. (→ Assembling the suction unit)

Switching off: Disconnect the unit from the mains.

- **Unit with heater:** Disconnect the unit and heater from the power supply

TROUBLESHOOTING

Malfunction	Cause	Remedy
Unit does not start up.	No mains voltage	Check the mains voltage.
	Impeller unit blocked	Clean
	Excessive height difference between the top edge of the aquarium and the suction unit	Reduce the height difference
	Water level in the unit too low	Top up water
Water flow insufficient	Filter housing or impeller unit soiled	Clean
	Impeller unit worn	Replace the impeller unit.
	Flow incorrectly set	Correct the setting
	Foam filter soiled	Clean
	Activated carbon soiled	Clean
	Ceramic substrate soiled	Clean
	Suction basket clogged	Clean suction basket.
	Pipework soiled	Clean suction unit, flow-out unit and hoses.
Insufficient filtering performance	Foam filter soiled	Clean
	Foam filter worn	Replace
	Ceramic substrate soiled	Clean
	Ceramic substrate worn	Replace
	Activated carbon exhausted	Replace
Insufficient water heating (only units with heater)	Heater defective	Replace
	Heater not calibrated	Calibrate
	Water temperature incorrectly set on the heater	Correct the water temperature setting on the heater.
Increased noise	Air in the filter, vent hose on the pump not correctly positioned.	Correct the position of the vent hose.

MAINTENANCE AND CLEANING

- If necessary, clean with clear water using a soft brush.
- Do not use cleaning agents or chemical solutions. We recommend using OASE PumpClean for removing calcium deposits.
- Cleaning and replacement cycles for filter media are dependent on the size of the aquarium and the number of fish. Therefore, it is necessary to clean and replace the filter media as required to ensure optimum filter performance.
- If there are several foam filters: Clean or replace the foam filters at different times. This saves enough useful bacteria to ensure good biological filtration of the water.

Cleaning/replacing the filter media



NOTE

Thoroughly rinse out all filter material with warm tap water before using for the first time in order to remove any soiling. (→ Cleaning/replacing the filter media)

<input type="checkbox"/> O	Filter media FilitoSmart FilitoSmart Thermo	Quantity		
		100	200	300
a	Foam filter 10 ppi	1	1	1
b	Foam filter 20 ppi	—	1	1
c	Ceramic substrate (420 g bag)	1	2	3
d	Activated carbon	—	2	2
e	Foam filter 10 ppi	—	1	1

Prerequisite

- The unit head is removed. (→ Dismantling the unit head)

How to proceed:

P

- Remove the foam filters and rinse in warm water or replace.
- Position the foam filters and activated carbon. The activated carbon has to be taken out of the plastic packaging but remains in its filter bag.
- Rinse the ceramic substrate in warm water or replace.
 - FilitoSmart 300 requires three, FilitoSmart 200 two and FilitoSmart 100 one bag (420 g) of ceramic substrate.

- Before using for the first time, remove the ceramic substrate from the plastic bag, rinse it in warm water and put it loosely into the filter container.
- Cover the heater tube, if applicable, when adding the ceramic substrate to ensure that no substrate can enter the heater tube.

Cleaning the heater unit



NOTE

The following applies to all units with heater:

- Adhere to the rules for careful handling. (→ Careful handling of the heater)

D, E

- Unscrew the holding ring and clean the heater according to the separately provided manual or, to replace it, pull it out of the holding ring.
- Reassemble the unit in the reverse order.

Cleaning/replacing the impeller unit

Prerequisite

- The unit head is removed. (→ Dismantling the unit head)

R

- Pull the pump lid off downward.
 - FiltoSmart 200/300: Push the tab down.
- Remove the impeller unit, clean or replace.
- Reassemble the unit in the reverse order.
 - Ensure that the two rubber bearings are correctly seated.
 - Ensure that the vent hose is in place and is pointing upwards so that the air can escape.

Re-installing the unit

- Reassemble the unit head and filter unit. (→ Fitting the unit head)

WEAR PARTS

The following components are wear parts and are excluded from the warranty:

- Suction cups
- Impeller unit
- Foam filters
- Activated carbon
- Ceramic substrate

DISPOSAL



NOTE

Do not dispose of this unit with domestic waste.

- Render the unit unusable beforehand by cutting the cables and dispose of the unit via the return system provided for this purpose.

SPARE PARTS

The use of original parts from OASE ensures continued safe and reliable operation of the unit. Please visit our website for spare parts drawings and spare parts.





<http://www.oase-livingwater.com/spareparts-international-ia>



TECHNICAL DATA

Description		FiltroSmart, FiltroSmart Thermo		
		100	200	300
Rated voltage	V	120	120	120
Mains frequency	Hz	60	60	60
Protection type		IPX4	IPX4	IPX4
Power consumption, filter	W	11	17	23
Power consumption, heater	W	100	200	300
Flow rate	Max. gph	160	210	260
Head height	Max. ft.	4.6	3.3	5
Filter volume	gal	0.34	1.1	1.7
Pre-filter volume	gal	0.18	0.4	0.4
Recommended for an aquarium volume of	Max. gal	30	55	80
Length of power connection cable (also thermo-control heater)	ft.	6	6	6
Tubing length	ft.	8	8	8
Connection of tubing connectors	Diameter	in. 1/2	2/3	2/3
Dimensions	Length	in. 8	11	11
	Width	in. 5.5	7	7
	Height	in. 10	13.3	16.9
Weight FiltroSmart	lbs	4.6	8.8	10
Weight FiltroSmart Thermo	lbs	5	9.5	11

SYMBOLS ON THE UNIT

IP X4	Splash-water protected on all sides.
	Protection class II, protection insulation which could become live in the event of a fault.
	For use indoors.
	Do not dispose of with household waste.
	Read and adhere to the instructions for use.

CONSIGNES DE SÉCURITÉ IMPORTANTES - LIRE ET SUIVRE TOUTES LES CONSIGNES DE SÉCURITÉ!

CONSERVEZ CES INSTRUCTIONS DANS UN ENDROIT SÛR.

CONSIGNES DE SECURITE Dans le cas où cet appareil serait utilisé par des mineurs de moins de 8 ans ainsi que par des personnes souffrant d'un handicap mental ou plus généralement par des personnes manquant d'expérience, un adulte averti devra être présent, qui renseignera le mineur ou la personne fragilisée concernée sur le bon emploi de ce matériel. Les enfants ne doivent pas jouer avec cet appareil. Ne pas laisser un enfant sans surveillance pour le nettoyage ou l'entretien. Débranchez la prise d'alimentation avant d'effectuer tout travail sur l'appareil.

AVERTISSEMENT - Pour éviter toute blessure, des mesures de sécurité de base doivent être observées, y compris les suivants:

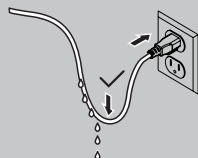
- **DANGER** - Pour éviter tout risque d'électrocution, des précautions particulières doivent être prises car l'eau est utilisée dans l'utilisation de l'équipement d'aquarium. Pour chacune des situations suivantes, ne tentez pas de réparations par vous-même; retourner l'appareil à un centre de service autorisé pour réparation ou jeter l'appareil
- Éteignez toutes les unités de l'aquarium et débranchez les fiches d'alimentation de toutes les unités avant de les atteindre dans l'eau ou de déplacer / nettoyer l'unité.
- **MISE EN GARDE!** Risque de choc électrique - N'utilisez pas la pompe lorsqu'il y a des personnes dans l'eau.
- **MISE EN GARDE!** Cette unité a été évaluée pour une utilisation avec de l'eau seulement.
- **ATTENTION!** Pour réduire le risque de choc électrique, utilisez uniquement des fontaines autonomes portatives.
- **DANGER!** Ne faites jamais fonctionner l'appareil si les câbles électriques ou le boîtier sont défectueux!

- En cas de post-équipement, veuillez lire et suivre le manuel d'instructions du chauffage
- N'installez pas ou ne stockez pas l'appareil à un endroit exposé aux intempéries ou à des températures inférieures au point de congélation.
- Ne transportez pas et ne tirez pas l'unité par son câble électrique.
- Si une rallonge est nécessaire, utilisez un cordon d'alimentation approprié. Une corde notée pour moins d'ampères ou de watts que l'estimation de l'appareil peut surchauffer. Faites attention de ne pas trébucher ou tirer sur le cordon.
- N'essayez pas d'ouvrir le boîtier de la pompe / du moteur.
- Acheminez les câbles / tuyaux de manière à ce qu'ils ne soient pas endommagés et ne présentent aucun risque de chute.
- N'ouvrez le boîtier de l'appareil ou ses composants auxiliaires que lorsque cela est explicitement requis dans le mode d'emploi.
- **DANGER!** N'effectuez que des travaux sur l'unité décrite dans ce manuel. Si les problèmes ne peuvent être résolus, veuillez contacter un point de service client agréé ou, en cas de doute, le fabricant.
- N'utilisez que des pièces de rechange d'origine et des accessoires pour l'unité.
- **DANGER!** N'effectuez jamais de modifications techniques sur l'appareil. Ne coupez pas le cordon et ne retirez pas la fiche du cordon.
- Les câbles de connexion d'alimentation ne peuvent pas être remplacés. Si un câble est endommagé, jetez l'unité ou les composants correspondants.
- L'unité de turbine dans la pompe contient un aimant avec un fort champ magnétique qui peut affecter le fonctionnement des stimulateurs cardiaques ou des défibrillateurs cardioverters implantables (DAI). Toujours garder les aimants à au moins 0,7 pi des appareils implantés.

Raccordement électrique

- Lisez et observez tous les avis importants sur l'appareil.
- En cas de post-équipement, veuillez respecter la puissance recommandée indiquée dans le tableau de la P.26, en utilisant uniquement les réchauffeurs OASE HeatUp.
- Ne connectez l'appareil que si les données électriques de l'appareil et de l'alimentation coïncident. Les données de l'unité se trouvent sur la plaque signalétique de l'unité, sur l'emballage ou dans ce manuel.
- Protégez les connexions de l'humidité.
- Branchez l'appareil uniquement dans une prise correctement installée.
- Assurez-vous que toutes les prises électriques sont installées et entretenues par un électricien agréé.
- **DANGER!** Débranchez la pompe de la prise électrique au premier signe d'un problème.
- **DANGER!** Si la fiche ou la prise est mouillée, NE débranchez PAS le cordon. Débranchez le fusible ou le disjoncteur qui alimente l'appareil. Ensuite, débranchez et examinez la présence d'eau dans le récipient.

- **DANGER!** Ne pas pincer, tordre ou endommager le cordon électrique. Une coupe mineure même si seulement dans la coque extérieure pourrait permettre à l'eau d'atteindre l'enceinte du moteur et d'endommager la pompe. Si vous remarquez des dommages sur le cordon, retirez la pompe et rangez-la dans un endroit sec. Consulter tout dommage au cordon électrique annulera toutes les garanties et pourrait causer de sérieux risques d'électrocution.
- Pour éviter que la prise de l'appareil ne mouille, évitez que de l'eau ne coule sur la prise. Une "boucle d'égouttement", illustrée sur la figure ci-dessous, doit être disposée par l'utilisateur pour chaque cordon reliant un appareil d'aquarium à un réceptacle. La "boucle d'égouttement" est la partie du cordon située sous le niveau du réceptacle, ou le connecteur si une rallonge est utilisée, pour empêcher l'eau de circuler le long du cordon et d'entrer en contact avec le réceptacle.



CONSERVEZ CES INSTRUCTION

Symboles dans cette notice d'emploi

Avertissements

Dans cette notice, les avertissements sont classés par mots de signalisation qui indiquent l'ampleur du risque.

AVERTISSEMENT

- signale une situation éventuellement dangereuse.
- Le non-respect risque d'entraîner la mort ou des blessures graves.

REMARQUE

Informations permettant d'assurer une meilleure compréhension et d'éviter des dommages matériels ou environnementaux.

Autres remarques

- A Renvoi à l'illustration, p. ex. Figure A.
- Renvoi à un autre chapitre.

DESCRIPTION DU PRODUIT

Pièces faisant partie de la livraison

<input type="checkbox"/> A	FiltoSmart Thermo
1	Anneau de passage avec thermoplongeur HeatUp FiltoSmart Thermo 100: HeatUp 100 FiltoSmart Thermo 200: HeatUp 200 FiltoSmart Thermo 300: HeatUp 300
2	Notice d'utilisation thermoplongeur HeatUp

FiltoSmart : Un bouchon obturateur se trouve à la place du thermoplongeur HeatUp.

<input type="checkbox"/> A	FiltoSmart, FiltoSmart Thermo	Nombre		
		100	200	300
3	Notice d'utilisation FiltoSmart 100/200/300, FiltoSmart Thermo 100/200/300	1	1	1
4	Tête d'appareil	1	1	1
5	Poignée, ajustable	—	1	1
6	Bouchon obturateur	1	1	1
7	Récipient, rempli de matériau de filtration	1	1	1
8	Pied-support	1	1	1
9	Clip de verrouillage	2	2	2
10	Unité de raccordement avec raccords de tuyau entrée (IN) et sortie (OUT)	1	1	1
B	Set de raccordement	1	1	1
11	Sac filtrant avec charbon actif	—	2	2
12	Substrat céramique	1	2	3
13	Sachet comprenant 4 pieds	1	1	1
14	Canne d'aspiration	1	1	1
15	Canne de rejet	1	1	2
16	Morceau de tuyau en tant que pièce de raccordement pour cannes de rejet (15)	—	—	1
17	Tuyau	1	1	1

<input type="checkbox"/> B	Kit de raccordement FiltoSmart, FiltoSmart Thermo	Nombre		
		100	200	300
1	Ventouse	5	5	5
2	Clip de fixation	5	5	5
3	Adaptateur de flexible, réglable	2	2	2
4	Pièce coudée	1	1	1
5	Écrou d'accouplement	4	4	4
6	Adaptateur canne d'aspiration FiltoSmart 100	1	—	—
7	Adaptateur canne d'aspiration FiltoSmart 200/300	—	1	1
8	Panier d'aspiration FiltoSmart	1	1	1
9	Bouchon	1	1	1
10	Distributeur d'eau	1	1	1

Utilisation conforme à la finalité

FiltoSmart 100/200/300, FiltoSmart Thermo 100/200/300, appelé par la suite «appareil», doit être utilisé exclusivement comme suit :

- **FiltoSmart:** Filtrer l'eau et la faire circuler.
- **FiltoSmart Thermo:** Chauffer l'eau, la filtrer et la faire circuler.
- Pour une exploitation en eau douce ou en eau de mer.
- Exploitation dans le respect des données techniques.

Les restrictions suivantes sont valables pour l'appareil :

- A utiliser uniquement à l'intérieur et à des fins d'aquariophilie privée.
- A utiliser uniquement avec de l'eau à une température entre +4 °C et +35 °C.

Description des fonctions

C

L'eau aspirée par une pompe installée dans la tête d'appareil circule à travers les chambres de filtration installées l'une à côté de l'autre. Ensuite, l'eau s'écoule à travers la canne de rejet ou le distributeur d'eau et retourne dans l'aquarium.

Des mousses filtrantes à densités de pores différentes et du charbon actif/substrat céramique servent de matériaux de filtration.

Pour un appareil muni d'un chauffage, l'eau est chauffée pendant sa circulation à travers le système de filtration.

Équipement complémentaire

FiltoSmart 100/200/300 est extensible avec OASE HeatUp (tableau suivant).

- Le complément d'équipement est indispensable au montage ThermoFit (numéros de commande suivants).

FiltoSmart		100	200	300
HeatUp	25	○	○	○
	50	○	○	○
	100	●	○	○
	150	—	○	○
	200	—	●	○
	300	—	—	●

○: approprié ●: particulièrement recommandé

- 48507 ThermoFit FiltoSmart 100
- 48532 ThermoFit FiltoSmart 200
- 48567 ThermoFit FiltoSmart 300

ACCES A L'APPAREIL



REMARQUE

Valable pour tous les appareils pourvus d'un chauffage :

- Respecter les règles pour une manipulation prudente. (→ Manipulation prudente du chauffage)

Manipulation prudente du chauffage



ATTENTION

Surface brûlante !

Risque de blessures par brûlure en cas de contact avec le tube de verre.

- Éteindre et laisser refroidir le chauffage avant de le sortir de l'eau.



ATTENTION

Risque de bris de verre !

Le tube de verre du chauffage peut casser et causer des blessures par coupure.

- Manipuler le chauffage avec précaution.
- Laisser refroidir le chauffage chaud. Ne pas le plonger dans l'eau froide et ne pas l'arroser avec de l'eau froide.
- Prendre soin de la fragilité du verre lors de l'installation du réchauffeur dans l'adaptateur ou de l'opération opposée

Démontage du chauffage

Démontage nécessaire au nettoyage et à l'entretien, et pour le démontage de la tête de l'appareil.

Voici comment procéder :

D

1. Dévisser l'anneau de passage avec le chauffage dans le sens anti-horaire.

Montage du chauffage

Voici comment procéder :

E

1. Visser l'anneau de passage avec le chauffage dans le trou taraudé dans le sens horaire.
 - Lorsque le chauffage est remplacé : Humidifier le tube de verre avec de l'eau et glisser le chauffage dans l'anneau de passage jusqu'à la butée.

Démontage de l'unité de raccordement

Démontage nécessaire au nettoyage et à l'entretien, et pour le démontage de la tête de l'appareil lors de tuyaux raccordés.

Voici comment procéder :

F

1. Tourner la fermeture à baïonnette dans le sens "UNLOCK".
2. Retirer l'unité de raccordement.

Montage de l'unité de raccordement

Voici comment procéder :

- G
- 1. Insérer l'unité de raccordement.
 - Les ailettes sur l'unité de raccordement doivent être correctement ajustées par rapport aux encoches de la tête d'appareil.
- 2. Tourner la fermeture à baïonnette dans le sens "LOCK".

Démontage de la tête d'appareil

Démontage nécessaire au nettoyage et à l'entretien, et pour le changement du matériau de filtration.

Prérequis :

- Le chauffage est démonté. (→ Démontage du chauffage)
- L'unité de raccordement est démontée. (→ Démontage de l'unité de raccordement)

Voici comment procéder :

- H
- 1. Détacher les fermetures à genouillère
- 2. Retirer la tête de l'appareil.

Montage de la tête d'appareil

Voici comment procéder :

- I
- 1. Vérifier que le joint est bien en place sur la tête d'appareil.
 - Nettoyer le joint, remplacer un joint endommagé.
- 2. Veiller à ce que le tuyau de purge d'air soit présent et tourné vers le haut.
- 3. Placer la tête d'appareil sur le récipient
- 4. Rabattre tous les clips de verrouillage vers le haut et les encliqueter.

Montage du complément d'équipement



REMARQUE

Valable pour tous les appareils pourvus d'un chauffage :

- Respecter les règles pour une manipulation prudente. (→ Manipulation prudente du chauffage)

Condition préalable :

- La tête de l'appareil est enlevée. (→ Démontage de la tête d'appareil)

Voici comment procéder :

- K
- 1. Retirer une paroi de séparation.
- 2. Retirer l'élément de barrage.
- 3. Presser le pied-support dans le tube pour chauffage

- 4. Poser le tube pour chauffage avec support de tube dans les ergots au fond du récipient.
- 5. Remettre la paroi de séparation en place.
- 6. Installer la fixation sur la paroi de séparation (FiltroSmart 200/300) ou sur la paroi du récipient (FiltroSmart 100).
- 7. Introduire le chauffage jusqu'à la butée dans l'anneau de passage.
 - Asperger l'enveloppe de verre du chauffage avec de l'eau pour en faciliter le montage.
 - Monter le chauffage après l'achèvement des travaux. (→ Montage de la tête d'appareil)
 - Veiller à ce que le joint torique soit positionné correctement.

MISE EN PLACE ET RACCORDEMENT

Ordre de réalisation des travaux :

- 1. Si l'appareil doit être posé : Installer les pieds en caoutchouc faisant partie de la livraison sous le récipient.
- 2. Éventuellement compléter l'unité de chauffage (→ Montage du complément d'équipement)
- 3. Positionner les matériaux de filtration (→ Nettoyage/Remplacement du matériau de filtration)
- 4. Mise en place de l'appareil.
 - Placer l'appareil à côté de l'aquarium ou en-dessous de l'aquarium. Respecter la hauteur de reflux maximale. (→ Caractéristiques techniques)
- 5. Effectuer les raccordements (→ Effectuer les raccordements)

Assurer la stabilité

J
Le récipient est placé sur un pied-support pour une plus grande stabilité (amovible).

- Visser les pieds en caoutchouc inclus dans le pied-support.
- Poser le récipient une fois le pied-support installé.

Effectuer les raccordements

Assemblage de l'unité d'aspiration

Voici comment procéder :

- L
- Assemblage de l'unité d'aspiration.
- Régler le débit.
 - Tourner le régulateur de débit dans l'adaptateur de flexible à l'aide d'une pièce de monnaie direction MIN ou MAX .

Assemblage de l'unité de rejet

Voici comment procéder :

- M
 - Assemblage de l'unité de rejet.
 - Le distributeur d'eau peut être utilisé en tant qu'alternative à la canne de rejet.
 - Tourner à l'aide d'une pièce de monnaie le régulateur de débit dans l'adaptateur de flexible sur MAX.

Raccordement du tuyau

La manière de procéder est identique pour l'entrée (IN) et pour la sortie (OUT).

Voici comment procéder :

- N
 1. Raccourcir le tuyau à la longueur appropriée.
 - Choisir la longueur de sorte que le tuyau ne puisse pas plier lors de la pose à l'emplacement prévu.
 2. Visser l'écrou de raccord sur le raccord de tuyau de l'unité de raccordement.
 3. Pousser le tuyau sur le raccord de tuyau et visser l'écrou de raccord dans le sens anti-horaire pour fixer le tuyau.
 4. Pousser l'autre extrémité du tuyau sur le raccord de tuyau à l'unité d'aspiration/l'unité de rejet, et visser l'écrou de raccord dans le sens anti-horaire pour fixer le tuyau.
- C
 - Fixer l'unité d'aspiration et l'unité de rejet à l'aide des ventouses dans l'aquarium.

MISE EN SERVICE



REMARQUE

Soigneusement rincer tous les matériaux filtrants à l'eau chaude avant la première utilisation pour éliminer d'éventuelles salissures. (→ Nettoyage/Remplacement du matériau de filtration)



REMARQUE

Toute marche à sec de la pompe est interdite !

Détérioration de la pompe.

- Contrôler régulièrement le niveau d'eau et la circulation d'eau dans le filtre et dans l'aquarium.



REMARQUE

Risque de brûlure causée par la surface brûlante du chauffage !

Un dégagement important de chaleur entraîne une destruction du chauffage et du filtre.

- Mettre uniquement le chauffage en marche lorsque le filtre est complètement rempli d'eau et en circuit, et que l'eau circule continuellement.
- Éteindre et laisser refroidir le chauffage avant de le sortir de l'eau.

Voici comment procéder :

- Q
 - Remplir entièrement le récipient avec de l'eau et le placer à côté de l'aquarium.
 - Remplir le récipient par l'ouverture du chauffage. Retirer pour cela le chauffage voire le bouchon obturateur. (→ Démontage du chauffage)
 - Lors de la première mise en service, l'unité de raccordement doit se trouver au maximum à 80 cm en dessous du niveau de l'eau. L'écoulement d'eau (canne de rejet ou distributeur d'eau) ne doit pas être immergé.
 - Un filtre complètement rempli peut se trouver à plus de 80 cm en dessous du niveau de l'eau. Veiller à la colonne d'eau maximale. (→ Caractéristiques techniques)
 - Poser chaque câble de raccordement au secteur en veillant à la formation d'un col de cygne !
 - **Appareil pourvu d'un chauffage** : Régler la température de l'eau au niveau du chauffage. (→ Notice d'utilisation chauffage).

Allumer : Brancher l'appareil sur la tension secteur. L'appareil se met immédiatement en marche. Après la mise en marche, quelques minutes sont nécessaires avant que de l'air ne s'échappe de l'appareil (développement de bruit).

- Le cas échéant, modifier le débit à l'aide du régulateur. (→ Assemblage de l'unité d'aspiration)

Éteindre : Débrancher l'appareil de la tension secteur.

- **Appareil pourvu d'un chauffage** : Débrancher l'appareil et le chauffage du secteur.

DÉPANNAGE

Défaut	Cause	Remède
L'appareil ne démarre pas	La tension secteur manque	Vérifier la tension secteur
	L'unité de fonctionnement est bloquée	Nettoyer
	La différence de hauteur entre le rebord de l'aquarium et l'unité d'aspiration est trop importante	Réduire la différence de hauteur
	Niveau d'eau trop bas dans l'appareil	Remplir d'eau
Débit d'eau insuffisant	Corps du filtre ou unité de fonctionnement encrassés	Nettoyer
	Unité de fonctionnement usée	Remplacer l'unité de fonctionnement
	Débit mal réglé	Correction du réglage
	Mousse filtrante colmatée	Nettoyer
	Charbon actif encrassé	Nettoyer
	Substrat céramique encrassé	Nettoyer
	Panier d'aspiration bouché	Nettoyer le panier d'aspiration
	Système des conduites encrassé	Nettoyer l'unité d'aspiration, l'unité de rejet et les tuyaux
Effet filtrant insuffisant	Mousse filtrante colmatée	Nettoyer
	Mousse filtrante usée	Remplacer
	Substrat céramique encrassé	Nettoyer
	Substrat céramique usé	Remplacer
	Charbon actif usé	Remplacer
Réchauffement d'eau insuffisant (que pour les appareils pourvus d'un chauffage)	Chauffage défectueux	Remplacer
	Chauffage non calibré	Calibrer
	La température de l'eau est mal réglée au niveau du chauffage	Corriger la température de l'eau au niveau du chauffage
Niveau sonore élevé	Air dans le filtre, le tuyau de purge d'air est mal positionné au niveau de la pompe	Corriger la position du tuyau de purge d'air

NETTOYAGE ET ENTRETIEN

- Si besoin, nettoyer l'appareil à l'eau claire et avec une brosse douce.
- Ne pas utiliser de produits de nettoyage ou de solutions chimiques. Utiliser OASE PumpClean pour éliminer les dépôts de calcaire.
- Les cycles de nettoyage et de remplacement des matériaux de filtration dépendent de la taille de l'aquarium et de sa population. Par conséquent, le nettoyage et le remplacement devraient être exécutés en fonction du besoin pour assurer l'entière performance de filtration.
- En présence de plusieurs mousses filtrantes : Nettoyer ou remplacer les mousses filtrantes avec décalage dans le temps. Cette manière permet de protéger les bactéries filtrantes utiles et d'assurer un bon nettoyage biologique de l'eau.

Nettoyage/Remplacement du matériau de filtration

REMARQUE

Soigneusement rincer tous les matériaux filtrants à l'eau chaude avant la première utilisation pour éliminer d'éventuelles salissures. (→ Nettoyage/Remplacement du matériau de filtration)

<input type="checkbox"/> O	Matériaux de filtration FiltroSmart FiltroSmart Thermo	Nombre		
		100	200	300
a	Mousse filtrante 10 ppi	1	1	1
b	Mousse filtrante 20 ppi	—	1	1
c	Substrat céramique (sachet de 420 g)	1	2	3
d	Charbon actif	—	2	2
e	Mousse filtrante 10 ppi	—	1	1

Condition préalable :

- La tête de l'appareil est enlevée. (→ Démontage de la tête d'appareil)

Voici comment procéder :

- P
- Enlever les mousses filtrantes et les rincer à l'eau chaude ou les remplacer.
- Positionner les mousses filtrantes et le charbon actif. Retirer le charbon actif de son emballage mais le laisser dans son sac filtrant.
- Rincer le substrat céramique à l'eau chaude ou le remplacer.
 - Trois sachets de substrat céramique (420°g) sont nécessaires pour FiltroSmart 300, deux pour FiltroSmart 200 et un pour FiltroSmart 100.
 - Retirer le substrat céramique du sachet plastique avant sa première utilisation, le rincer à l'eau

chaude puis le vider en vrac dans le récipient pour filtre.

- Éventuellement, recouvrir le tube pour chauffage lors du remplissage avec le substrat céramique afin qu'aucun substrat céramique ne puisse y pénétrer.

Nettoyer l'unité de chauffe



REMARQUE

Valable pour tous les appareils pourvus d'un chauffage :

- Respecter les règles pour une manipulation prudente. (→ Manipulation prudente du chauffage)

D, E

- Dévisser l'anneau de passage, chauffage inclus, et nettoyer celui-ci suivant les instructions jointes séparément ou le retirer de l'anneau de passage et le remplacer.
- Réassembler l'appareil dans l'ordre inverse.

Nettoyage/Remplacement de l'unité de fonctionnement

Condition préalable :

- La tête de l'appareil est enlevée. (→ Démontage de la tête d'appareil)

R

- Tirer le couvercle de pompe vers le bas.
 - FiltoSmart 200/300: Presser l'attache vers le bas.
- Démontez l'unité de fonctionnement, la nettoyer ou la remplacer.
- Réassembler l'appareil dans l'ordre inverse.
 - Veiller au positionnement correct des deux blocs élastiques.
 - Veiller à ce que le tuyau de purge d'air soit présent et tourné vers le haut afin que l'air puisse s'échapper.

Ré-installer l'appareil

- Remonter la tête d'appareil et l'unité de filtration. (→ Montage de la tête d'appareil)

PIECES D'USURE

Les composants suivants sont des pièces d'usure et ne sont pas couverts par la garantie.

- Ventouses
- Unité de fonctionnement
- Mousses filtrantes
- Charbon actif
- Substrat céramique

RECYCLAGE



REMARQUE

Il est interdit de mettre cet appareil au rebut en l'évacuant vers la gestion des ordures ménagères.

- Rendre l'appareil inutilisable en coupant le câble et le mettre au rebut en utilisant le système de retour prévu à cet effet.

PIECES DE RECHANGE

L'appareil continue de fonctionner de manière fiable et sécurisée avec des pièces originales d'OASE. Vous trouverez nos pièces de rechange et leurs schémas sur notre site internet.





<http://www.oase-livingwater.com/spareparts-international-ia>



CARACTERISTIQUES TECHNIQUES

Description		FiltroSmart, FiltroSmart Thermo			
		100	200	300	
Tension assignée	V	120	120	120	
Fréquence de réseau	Hz	60	60	60	
Indice de protection		IPX4	IPX4	IPX4	
Puissance absorbée, filtre	W	11	17	23	
Puissance absorbée, chauffage	W	100	200	300	
Capacité de refoulement	max.	l/h	600	800	1000
Hauteur de refoulement	max.	m	1,4	1	1,5
Volume, filtre	l	1,25	4,3	6,4	
Volume, préfiltre	l	0,7	1,5	1,5	
Recommandé pour des volumes d'aquarium	max.	l	100	200	300
Longueur du câble de raccordement au secteur (thermo-plongeur inclus)	m	1,8	1,8	1,8	
Longueur du tuyau	m	2,5	2,5	2,5	
Raccordement raccord de tuyau	Diamètre	mm	13	17	17
Dimensions	Longueur	mm	205	288	288
	Largeur	mm	139	179	179
	Hauteur	mm	260	337	428
Poids FiltroSmart	kg	2,1	4,0	4,6	
Poids FiltroSmart Thermo	kg	2,3	4,3	5,0	

SYMBOLES SUR L'APPAREIL

IP X4	Protégé de tous côtés contre la projection d'eau.
	Classe de protection II, double isolation risquant de conduire une tension électrique en cas de défaut.
	Pour une utilisation en intérieur.
	A ne pas évacuer dans les ordures ménagères
	Lire et respecter la notice d'utilisation

INSTRUCCIONES IMPORTANTES DE SEGURIDAD - ¡LEA Y SIGA TODAS LAS INSTRUCCIONES DE SEGURIDAD!

GUARDE ESTAS INSTRUCCIONES EN UN LUGAR SEGURO.

INDICACIONES DE SEGURIDAD Este equipo puede ser utilizado por niños a partir de 8 años y mayores así como por personas con capacidades físicas, sensoriales o mentales reducidas o que no dispongan de la experiencia y conocimientos necesarios, cuando sean supervisados o hayan sido instruidos en el uso seguro del equipo y los posibles peligros resultantes. Los niños no deben jugar con el equipo. Está prohibido que los niños ejecuten la limpieza y el mantenimiento sin supervisión. Desconecte el enchufe de alimentación antes de realizar cualquier trabajo en la unidad.

ADVERTENCIA- Para evitar lesiones, las precauciones básicas de seguridad deben ser observadas, incluidas las siguientes:

- **PELIGRO:** para evitar posibles descargas eléctricas, se debe tener especial cuidado ya que se usa agua en el uso de equipos de acuarios. Para cada una de las siguientes situaciones, no intente las reparaciones usted mismo; devuelva el electrodoméstico a un centro de servicio autorizado para su reparación o deseche el aparato
- Apague todas las unidades en el acuario y desconecte los enchufes de todas las unidades antes de alcanzar el agua o mover / limpiar la unidad.
- ¡PRECAUCIÓN! Riesgo de descarga eléctrica: no use la bomba cuando haya personas en el agua.
- ¡PRECAUCIÓN! Esta unidad ha sido evaluada para usarse solo con agua.
- ¡ADVERTENCIA! Para reducir el riesgo de descarga eléctrica, úselo solo en fuentes portátiles autocontenidas.
- ¡PELIGRO! ¡Nunca opere la unidad si los cables eléctricos o la carcasa están defectuosos!
- No instale ni almacene el artefacto donde esté expuesto a la intemperie o a temperaturas bajo cero.

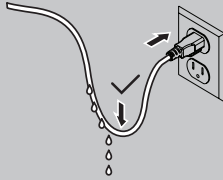
- No transporte ni jale la unidad por su cable eléctrico.
 - En caso de reequipamiento, lea y siga el manual de instrucciones del calentador.
 - Si es necesario un cable de extensión, se debe usar un cable con la clasificación adecuada. Un cable clasificado para menos amperios o vatios que la clasificación del artefacto puede sobrecalentarse. Se debe tener cuidado para colocar el cable de modo que no se tropiece ni se lo tire.
 - No intente abrir la caja de la bomba / motor.
 - Tienda los cables / mangueras de modo que estén protegidos contra daños y no presenten un peligro de tropiezo.
 - Solo abra la carcasa de la unidad o sus componentes auxiliares, cuando esto se requiera explícitamente en las instrucciones de funcionamiento.
 - ¡PELIGRO! Solo realice trabajos en la unidad que se describe en este manual.
- Si no puede resolver los problemas, póngase en contacto con un punto de atención al cliente autorizado o, en caso de duda, con el fabricante.
- Utilice únicamente piezas de repuesto y accesorios originales para la unidad.
 - ¡PELIGRO! Nunca realice modificaciones técnicas a la unidad. No corte el cable ni quite el enchufe del cable.
 - Los cables de conexión de alimentación no pueden ser reemplazados. Si un cable está dañado, deseche la unidad o componentes respectivos.
 - La unidad impulsora en la bomba contiene un imán con un fuerte campo magnético que puede afectar el funcionamiento de los marcapasos o los desfibriladores cardioversores implantables (ICD). Siempre mantenga los imanes a una distancia mínima de 0,7 pies de los dispositivos implantados.

Conexión eléctrica

- Lea y observe todos los avisos importantes en el electrodoméstico.
- En caso de retroadaptación, respete la potencia recomendada que se muestra en la tabla de la página 35, utilizando únicamente calentadores OASE HeatUp.
- Conecte la unidad solo si los datos eléctricos de la unidad y la fuente de alimentación coinciden. Los datos de la unidad se encuentran en la placa de características de la unidad, en el embalaje o en este manual.
- Proteja las conexiones de enchufe de la humedad.
- Solo enchufe la unidad a una toma correctamente instalada.
- Tenga todas las tomas eléctricas instaladas y reparadas por un electricista autorizado.
- ¡PELIGRO! Desconecte la bomba de la toma de corriente a la primera señal de cualquier problema.
- ¡PELIGRO! Si el enchufe o receptáculo se moja, NO desenchufe el cable. Desconecte el fusible o el cortacircuitos que suministra energía al artefacto. Luego, desconecte y examine la presencia de agua en el receptáculo.
- ¡PELIGRO! No pellizque, tuerza ni dañe el cable eléctrico. Un corte menor, aunque solo sea en el armazón exterior, podría permitir que el agua llegue al alojamiento del motor y dañe la bomba. Si nota algún

daño en el cable, retire la bomba y guárdela en un lugar seco. Consultar cualquier daño al cable eléctrico anulará todas las garantías y podría ocasionar un grave peligro de descarga eléctrica.

- Para evitar la posibilidad de que el enchufe del electrodoméstico se moje, evite que el agua gotee en el enchufe. Un “lazo de goteo”, que se muestra en la figura a continuación, debe ser arreglado por el usuario para cada cable que conecta un aparato de acuario a un receptáculo. El “lazo de goteo” es la parte del cable por debajo del nivel del receptáculo, o el conector si se usa un cable de extensión, para evitar que el agua viaje a lo largo del cable y entre en contacto con el receptáculo.



GUARDE ESTAS INSTRUCCIONES

Símbolos en estas instrucciones

Indicaciones de advertencia

Las indicaciones de advertencia contenidas en estas instrucciones están clasificadas mediante palabras de advertencia que muestran la dimensión del peligro.



ADVERTENCIA

- Denomina una situación posiblemente peligrosa.
- En caso de incumplimiento, la consecuencia puede ser la muerte o una lesión muy grave.



INDICACIÓN

Informaciones que sirven para una mejor comprensión o la prevención de posibles daños materiales o medioambientales.

Otras indicaciones

- A Referencia a una ilustración, p. ej. ilustración A.
- Referencia a otro capítulo.

DESCRIPCIÓN DEL PRODUCTO

Volumen de suministro

<input type="checkbox"/> A	FiltoSmart Thermo
1	Anillo de paso con calentador de regulación HeatUp FiltoSmart Thermo 100: HeatUp 100 FiltoSmart Thermo 200: HeatUp 200 FiltoSmart Thermo 300: HeatUp 300
2	Instrucciones de uso del calentador de regulación HeatUp

FiltoSmart: En el lugar del calentador de regulación HeatUp se encuentra un tapón ciego.

<input type="checkbox"/> A	FiltoSmart, FiltoSmart Thermo	Cantidad		
		100	200	300
3	Instrucciones de uso FiltoSmart 100/200/300, FiltoSmart Thermo 100/200/300	1	1	1
4	Cabeza del equipo	1	1	1
5	Mango, regulable	—	1	1
6	Tapón ciego	1	1	1
7	Recipiente, lleno con material de filtrado	1	1	1
8	Pie	1	1	1
9	Clip de cierre	2	2	2
10	Unidad de conexión con boquillas de manguera salida (OUT) y entrada (IN)	1	1	1
B	Conjunto de conexión	1	1	1
11	Bolsa de filtro con carbón activo	—	2	2
12	Sustrato cerámico	1	2	3
13	Bolsa con 4 pies	1	1	1
14	Tubo de aspiración	1	1	1
15	Tubo de descarga	1	1	2
16	Pieza de manguera como pieza de conexión para tubos de descarga (15)	—	—	1
17	Manguera	1	1	1

<input type="checkbox"/> B	Juego de conexión FiltoSmart, FiltoSmart Thermo	Cantidad		
		100	200	300
1	Ventosa	5	5	5
2	Sujetador	5	5	5
3	Adaptador de manguera, regulable	2	2	2
4	Pieza angular	1	1	1
5	Tuerca racor	4	4	4
6	Adaptador tubo de aspiración FiltoSmart 100	1	—	—
7	Adaptador tubo de aspiración FiltoSmart 200/300	—	1	1
8	Cesta de aspiración FiltoSmart	1	1	1
9	Tapa	1	1	1
10	Distribuidor de agua	1	1	1

Uso conforme a lo prescrito

FiltoSmart 100/200/300, FiltoSmart Thermo 100/200/300, denominado "equipo", se puede utilizar sólo de la forma siguiente:

- **FiltoSmart:** Filtre el agua y déjela circular.
- **FiltoSmart Thermo:** Caliente el agua, fíltrela y dejela circular.
- Para la operación con agua dulce o agua salada.
- Operación observando los datos técnicos.

Para el equipo son válidas las siguientes limitaciones:

- Emplear sólo en interiores y para fines acuáticos privados.
- Operación sólo con agua a una temperatura del agua de +4 °C a +35 °C.

Descripción del funcionamiento

C

Aspirada por una bomba en la cabeza del equipo, el agua fluye por las cámaras de filtrado que están una al lado de la otra. El agua fluye a continuación por el tubo de descarga o retorna a través del distribuidor de agua al acuario.

Como materiales de filtrado se emplean esponjas filtrantes con diferentes densidades de poros y carbón activo/ sustrato cerámico.

En un equipo con calentador el agua se calienta durante el recorrido por el sistema de filtrado.

Reequipamiento

FiltoSmart 100/200/300 se puede ampliar con OASE HeatUp (tabla siguiente).

- Para el montaje se requiere el juego de reequipamiento ThermoFit (números de pedido siguientes).

FiltoSmart		100	200	300
HeatUp	25	○	○	○
	50	○	○	○
	100	●	○	○
	150	—	○	○
	200	—	●	○
	300	—	—	●

○: apropiado ●: especialmente recomendado

- 48507 ThermoFit FiltoSmart 100
- 48532 ThermoFit FiltoSmart 200
- 48567 ThermoFit FiltoSmart 300

ACCESO AL EQUIPO



INDICACIÓN

Para todos los equipos con calentador es válido:

- Se tienen que cumplir las reglas para el manejo cuidadoso. (→ Manejo cuidadoso con el calentador)

Manejo cuidadoso con el calentador



CUIDADO

¡Superficie caliente!

Lesión por quemadura si se toca el émbolo de cristal.

- Desconecte primero el calentador, déjelo enfriar y sáquelo después del agua.



CUIDADO

¡Peligro de rotura del cristal!

El émbolo de cristal del calentador se puede romper y ocasionar lesiones de corte.

- Manipule el calentador con cuidado.
- Deje enfriar el calentador caliente. No sumerja el calentador en agua fría y no vierta agua fría encima de él.
- Tenga cuidado con la fragilidad del vidrio al instalar el calentador en el adaptador o en la operación opuesta

Desmontaje del calentador

El desmontaje es necesario para la limpieza y el mantenimiento y para el desmontaje de la cabeza del equipo.

Proceda de la forma siguiente:

D

1. Desenrosque el anillo de paso con el calentador en sentido antihorario.

Montaje del calentador

Proceda de la forma siguiente:

E

1. Gire el anillo de paso con el calentador en sentido horario en el agujero roscado.
 - Cuando se sustituya el calentador: Rocíe el émbolo de cristal con agua y desplace el calentador hasta el tope en el anillo de paso.

Desmontaje de la unidad de conexión

El desmontaje es necesario para la limpieza y el mantenimiento y para el desmontaje de la cabeza del equipo cuando las mangueras están conectadas.

Proceda de la forma siguiente:

F

1. Gire el cierre de bayoneta en el sentido "UNLOCK".
2. Quite la unidad de conexión.

Montaje de la unidad de conexión

Proceda de la forma siguiente:

- G
- Coloque la unidad de conexión.
 - Los pasadizos en la unidad de conexión tienen que estar correctamente alineados a las ranuras en la cabeza del equipo.
 - Gire el cierre de bayoneta en el sentido "LOCK".

Desmontaje de la cabeza del equipo

El desmontaje es necesario para la limpieza y el mantenimiento y para el cambio del material de filtrado.

Condición:

- El calentador está desmontado. (→ Desmontaje del calentador)
- La unidad de conexión está desmontada. (→ Desmontaje de la unidad de conexión)

Proceda de la forma siguiente:

- H
- Suelte los cierres de fijación.
 - Desmonte la cabeza del equipo.

Montaje de la cabeza del equipo

Proceda de la forma siguiente:

- I
- Compruebe el asiento correcto de la junta en la cabeza del equipo.
 - Limpie la junta, sustituya la junta dañada.
 - Garantice que la manguera de desaireación esté a disposición e indique hacia arriba.
 - Ponga la cabeza del equipo en el recipiente.
 - Pliegue todos cierres de fijación hacia arriba y enclávelos.

Montaje del juego de reequipamiento



INDICACIÓN

Para todos los equipos con calentador es válido:

- Se tienen que cumplir las reglas para el manejo cuidadoso. (→ Manejo cuidadoso con el calentador)

Condición previa

- La cabeza del equipo está desmontada. (→ Desmontaje de la cabeza del equipo)

Proceda de la forma siguiente:

- K
- Saque una pared de separación.
 - Quite el derribo.
 - Presione la base en el tubo del calentador.
 - Ponga el tubo del calentador con el soporte de tubo en la ranura en el fondo del recipiente.
 - Coloque de nuevo la pared de separación.

- Ponga el soporte y fíjelo en la pared de separación (FiltroSmart 200/300) o en la pared del recipiente (FiltroSmart 100).
- Desplace el calentador hasta el tope en el anillo de paso.
 - Para facilitar el montaje rocíe el émbolo de cristal del calentador con agua.
 - Monte el calentador sólo cuando hayan terminado todos los trabajos. (→ Montaje de la cabeza del equipo)
 - Garantice que el anillo en esté correctamente posicionado.

EMPLAZAMIENTO Y CONEXIÓN

Secuencia de los trabajos a ejecutar:

- En caso que se pretenda emplazar el equipo: Monte los pies de goma adjuntos en el fondo del recipiente.
- Reequipe la unidad del calentador si fuera necesario (→ Montaje del juego de reequipamiento)
- Posicione los materiales de filtrado (→ Limpieza/sustitución del material de filtrado)
- Emplace el equipo.
 - Emplace el equipo al lado o debajo del acuario. Tenga en cuenta la altura de transporte máxima. (→ Datos técnicos)
- Establezca las conexiones (→ Establecimiento de las conexiones)

Garantizar la estabilidad

- J
- Para aumentar la estabilidad, el recipiente está en una base (desmontable).
- Enrosque los pies de goma adjuntos en la base.
 - Emplace el recipiente sólo con la base montada.

Establecimiento de las conexiones

Montaje de la unidad de aspiración

Proceda de la forma siguiente:

- L
- Monte la unidad de aspiración.
 - Ajuste el flujo.
 - Gire el regulador de flujo en el adaptador de manguera con una moneda en el sentido MIN o MAX.

Montaje de la unidad de descarga

Proceda de la forma siguiente:

- M
- Monte la unidad de descarga.
 - Como alternativa se puede emplear el distribuidor de agua en lugar del tubo de descarga.
- Gire el regulador de flujo en el adaptador de manguera con una moneda a MAX.

Conexión de la manguera

El modo de proceder es idéntico para la entrada (IN) y para la salida (OUT).

Proceda de la forma siguiente:

- N
- 1. Acorte la manguera a la longitud adecuada.
 - Seleccione la longitud de forma que la manguera no se pueda doblar en el emplazamiento previsto.
- 2. Enrosque la tuerca racor en la boquilla de manguera de la unidad de conexión.
- 3. Desplace la manguera en la boquilla de manguera y fije la tuerca racor en sentido antihorario para fijar la manguera.
- 4. Desplace el otro extremo de la manguera en la unidad de aspiración/ unidad de descarga y fije la tuerca racor en sentido antihorario para fijar la manguera.
- C
- Fije la unidad de aspiración y la unidad de descarga con ventosas en el acuario.

PUESTA EN MARCHA



INDICACIÓN

Enjuague minuciosamente todos los materiales de filtrado antes del primer uso con agua de grifo caliente para eliminar las posibles suciedades. (→ Limpieza/ sustitución del material de filtrado)



INDICACIÓN

La bomba no debe marchar en seco.

La bomba se destruye.

- Controle regularmente el nivel de agua y la circulación en el filtro y en el acuario.



INDICACIÓN

Peligro de incendio por la superficie caliente del calentador.

El calentador y el filtro se destruyen debido al calor excesivo de la superficie.

- Conecte el calentador sólo cuando el filtro esté completamente lleno de agua, conectado y el agua circule continuamente.
- Desconecte primero el calentador, déjelo enfriar y sáquelo después del agua.

Proceda de la forma siguiente:

- Q
- Llene el recipiente completamente con agua y emplácelo al lado del acuario.
 - Llene el recipiente a través de la abertura para el calentador. Quite para esto el calentador y/o el tapón ciego. (→ Desmontaje del calentador)
 - A la primera puesta en marcha la unidad de conexión puede estar como máximo 80 cm por debajo del nivel del agua. La salida del agua (tubo de descarga o distribuidor de agua) no debe estar sumergida.
 - Un filtro completamente lleno puede estar más de 80 cm por debajo del nivel del agua. Tenga en cuenta la columna de agua máxima. (→ Datos técnicos)
- Tienda cada línea de conexión de red de forma que se forme un bucle de goteo.
- **Equipo con calentador:** Ajuste la temperatura del agua en el calentador. (→ Instrucciones de uso del calentador).
- **Conexión:** Conecte el equipo con la red. El equipo se conecta de inmediato. Después de la conexión dura algunos minutos hasta que el aire haya salido del equipo (ruido).
- Si fuera necesario, modifique el flujo con el regulador de flujo. (→ Montaje de la unidad de aspiración)
- **Desconexión:** Separe el equipo de la red.
- **Equipo con calentador:** Separe el equipo y el calentador de la red de corriente.

ELIMINACIÓN DE FALLOS

Fallo	Causa	Acción correctora
El equipo no arranca	No hay tensión de alimentación	Comprobar la tensión de alimentación
	Unidad de rodadura bloqueada	Limpiar
	La diferencia de altura entre el borde al acuario y la unidad de aspiración es muy grande.	Disminuir la diferencia de altura
	Nivel de agua en el equipo muy bajo	Rellenar agua
Flujo de agua insuficiente	Carcasa de filtro o unidad de rodadura sucia	Limpiar
	Unidad de rodadura desgastada	Sustituir la unidad de rodadura
	Flujo mal ajustado	Corregir el ajuste
	Esponja filtrante sucia	Limpiar
	Carbón activo sucio	Limpiar
	Sustrato cerámico sucio	Limpiar
	Cesta de aspiración obstruida	Limpiar la cesta de aspiración
	Sistema de tuberías sucio	Limpiar la unidad de aspiración, la unidad de descarga y las mangueras
Efecto de filtrado insuficiente	Esponja filtrante sucia	Limpiar
	Esponja filtrante desgastada	Sustituir
	Sustrato cerámico sucio	Limpiar
	Sustrato cerámico desgastado	Sustituir
	Carbón activo desgastado	Sustituir
Calentamiento del agua insuficiente (sólo equipos con calentador)	Calentador defectuoso	Sustituir
	Calentador no calibrado	Calibrar
	Temperatura del agua en el calentador mal ajustada	Corregir la temperatura del agua en el calentador
Ruido muy alto	Aire en el filtro, manguera de desaeración en la bomba no correctamente ajustada	Corregir el asiento de la manguera de desaeración

LIMPIEZA Y MANTENIMIENTO

- Si fuera necesario limpie el equipo con agua clara y un cepillo suave.
- No emplee productos de limpieza o soluciones químicas. Para eliminar las sedimentaciones de cal se recomienda el producto PumpClean de OASE.
- Los ciclos de limpieza y de sustitución para los materiales de filtrado dependen del tamaño del acuario y la cantidad de peces. Por esta razón, la limpieza y la sustitución se deben realizar según necesidad para garantizar la plena eficacia filtrante.
- En caso que hayan varias esponjas filtrantes: No limpie ni sustituya todas las esponjas de filtrado al mismo tiempo. De esta forma se protegen las bacterias de filtrado útiles que garantizan la buena limpieza biológica del agua.

Limpieza/ sustitución del material de filtrado



INDICACIÓN

Enjuague minuciosamente todos los materiales de filtrado antes del primer uso con agua de grifo caliente para eliminar las posibles suciedades. (→ Limpieza/ sustitución del material de filtrado)

O	Materiales de filtrado FiltroSmart FiltroSmart Thermo	Cantidad		
		100	200	300
a	Esponja filtrante 10 ppi	1	1	1
b	Esponja filtrante 20 ppi	—	1	1
c	Sustrato cerámico (bolsa de 420-g)	1	2	3
d	Carbón activo	—	2	2
e	Esponja filtrante 10 ppi	—	1	1

Condición previa

- La cabeza del equipo está desmontada. (→ Desmontaje de la cabeza del equipo)

Proceda de la forma siguiente:

P

- Saque las esponjas filtrantes y límpielas con agua caliente o sustitúyalas.
- Posicione las esponjas filtrantes y el carbón activo. El carbón activo se tiene que tomar del embalaje plástico, pero queda en su bolsa de filtrado.
- Enjuague el sustrato cerámico con agua caliente o sustitúyalo.
 - Para FiltroSmart 300 se necesitan tres bolsas de sustrato cerámico, para FiltroSmart 200 dos bolsas y para FiltroSmart 100 una bolsa (420 g).
 - Antes del primer uso saque el sustrato cerámico de la bolsa plástica, enjuáguelo con agua caliente

y rellénelo de forma suelta en el recipiente del filtro.

- Cubra el tubo del calentador posiblemente existente cuando llene el sustrato cerámico para que no pueda entrar ningún sustrato en el tubo del calentador.

Limpiar la unidad del calentador



INDICACIÓN

Para todos los equipos con calentador es válido:

- Se tienen que cumplir las reglas para el manejo cuidadoso. (→ Manejo cuidadoso con el calentador)

D, E

Desenrosque el anillo de paso con el calentador y limpie el calentador conforme a la instrucción sepa-rada adjunta sáquelo del anillo de paso y sustitúyalo.

Monte el equipo en secuencia contraria.

Limpeza/ sustitución de la unidad de rodadura

Condición previa

- La cabeza del equipo está desmontada. (→ Desmontaje de la cabeza del equipo)

R

- Quite la tapa de la bomba hacia abajo.
 - FiltoSmart 200/300: Presione la brida hacia abajo.
- Desmonte la unidad de rodadura, límpiela o sustitúyala.
- Monte el equipo en secuencia contraria.
 - Garantice el asiento correcto de los dos cojinetes de goma.
 - Garantice que la manguera de desaireación esté a disposición e indique hacia arriba para que el aire pueda purgar.

Reinstalar el equipo

- Monte de nuevo la cabeza del equipo y la unidad de filtrado. (→ Montaje de la cabeza del equipo)

PIEZAS DE DESGASTE

Los siguientes componentes son piezas de desgaste y no entran en la prestación de garantía:

- Ventosas
- Unidad de rodadura
- Elementos de espuma filtrantes
- Carbón activo
- Sustrato cerámico

DESECHO



INDICACIÓN

Está prohibido desechar este equipo en la basura doméstica.

- Inutilice el equipo cortando el cable y entréguelo al sistema de recogida previsto.

PIEZAS DE RECAMBIO

El equipo se mantiene seguro y trabaja de forma fiable con las piezas originales de OASE.

Consulte los dibujos de piezas de recambio y las piezas de recambio en nuestra página web.





<http://www.oase-livingwater.com/spareparts-international-ia>



DATOS TÉCNICOS

Descripción		FiltroSmart, FiltroSmart Thermo			
		100	200	300	
Tensión de referencia	V	120	120	120	
Frecuencia de red	Hz	60	60	60	
Categoría de protección		IPX4	IPX4	IPX4	
Consumo de potencia del filtro	W	11	17	23	
Consumo de potencia del calentador	W	100	200	300	
Capacidad de transporte	máxima	l/h	600	800	1000
Altura de transporte	máxima	m	1.4	1	1.5
Volumen del filtro		l	1.25	4.3	6,4
Volumen del filtro previo		l	0.7	1.5	1.5
Recomendado para volumen de acuario	máximo	l	100	200	300
Longitud de la línea de conexión de red (también calentador de regulación)	m		1,8	1,8	1,8
Longitud de la manguera	m		2.5	2.5	2.5
Conexión boquillas de manguera	Diámetro	mm	13	17	17
Dimensiones	Longitud	mm	205	288	288
	Anchura	mm	139	179	179
	Altura	mm	260	337	428
Peso FiltroSmart	kg		2.1	4.0	4.6
Peso FiltroSmart Thermo	kg		2.3	4.3	5.0

SÍMBOLOS EN EL EQUIPO

IP X4	Protegido contra salpicaduras por todos los lados.
	Clase de protección II, aislamiento de protección que en caso de defecto puede conducir tensión.
	Emplear en interiores
	No desechar el equipo en la basura doméstica.
	Leer y tener en cuenta las instrucciones de uso



OASE North America INC. · www.oase-livingwater.com

CE

55175/09-18