

## Rusty's JL Front Track Bar Frame Brace RC-TB7500-JL INSTALLATION INSTRUCTIONS

Last Revised: 8/29/2018

### Introduction:

Rusty's recommends that this installation be performed by a certified automotive technician or a person with professional mechanical knowledge. Installing this kit without this expertise may jeopardize the handling and safety of the vehicle.

Read instructions several times before starting. Be sure you have all the needed parts and know where they install. Read each step completely as you go. Exhaust modifications may be necessary. Prior to drilling or cutting, check behind the surface being worked on for any wires, lines, or hoses that could be damaged. After any drilling or cutting, remove burrs and grind smooth any surfaces. An inclinometer or similar tool may be needed to measure driveshaft angles before and after the installation.

### Warning:

- It is the owners' responsibility to inspect all Rusty's products for proper torque specs to prevent loosening of components.
- Seat belts and shoulder harnesses should be worn at all times.
- Re-check all bolts and nuts after the first 100 miles and after any off-road usage during the first 300 miles.
- Although all of our products are made from the highest quality materials possible, they are not a substitute for Safe and Careful driving. In other words, have good safe on-road / off-road sense. Know the terrain, the speed limitations, and any obstacles that may lie ahead. Please remember to preserve our right to enjoy public land through the proper use of off-road vehicles.

### Before Starting Installation:

1. Carefully Read all warnings and instructions completely before beginning.
2. Verify all parts have been received in this kit by checking the parts list on page#2 of this document.
3. Only install this kit on the vehicle for which it is specified.
4. Park the vehicle on a clean, dry, flat, level surface and block the tires so the vehicle cannot roll in either direction.
5. Be certain the vehicle is safely secured on jack stands or a vehicle lift prior to working around or under a vehicle. Never rely on a jack alone to support a vehicle's weight; use appropriately rated stands to support the vehicle's frame and any other heavy components.

**Parts List:**

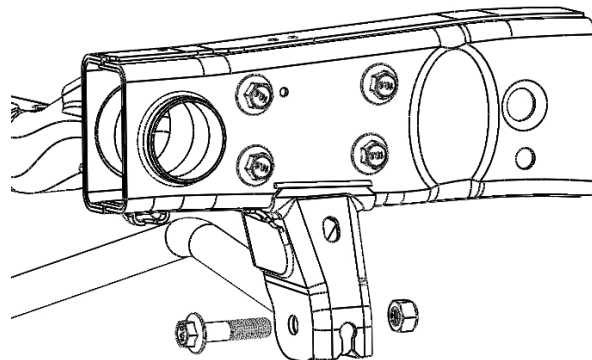
**Note:** Please be sure that you have all the provided parts listed below before continuing with the installation.

<b>Part #</b>	<b>DESCRIPTION:</b>	<b>Quantity</b>
RC-TB7500-JL	Rusty's JL Front Track Bar Frame Brace	1
67426007	7/16"-14 x 1-1/4" Length Grade 8 Hex Head Cap Screw	1
05724638	7/16" SAE Flat Washer	2
52593597	7/16"- 14 Grade 8 Hex Lock Nut	1
91959874	M14 x 2.00mm x 90mm Length Hex Head Cap Screw	1
67493163	M14 x 28mm O.D. Flat Washer	2
67486084	M14 x 2mm Hex Lock Nut	1

**Installation Instructions**

**Note:** Save all factory components and hardware for reuse, unless noted.

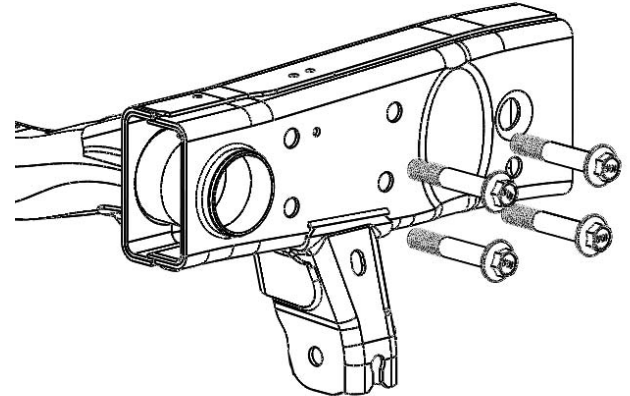
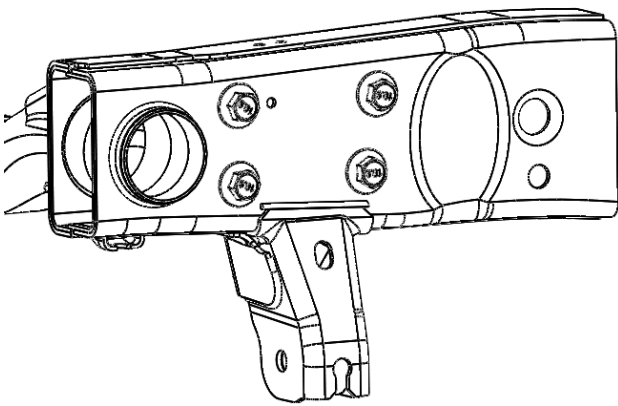
1. Park the vehicle on a level work surface with wheels in a straight forward position.
2. Place vehicle in Park and set the emergency brake as well as chock the wheels to prevent any movement. **(Note:** The installation will be performed with the vehicle on the ground at ride height.)
3. Disconnect the track bar from the frame side mounting point by removing the factory mounting hardware with the use of a 21mm socket and wrench. **(Note:** Discard the mounting hardware once removed.)



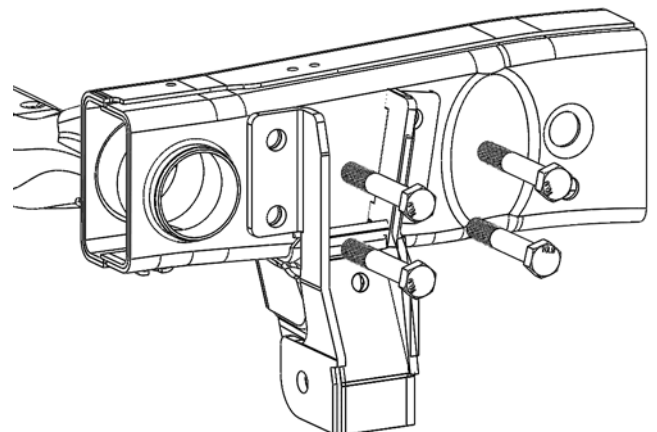
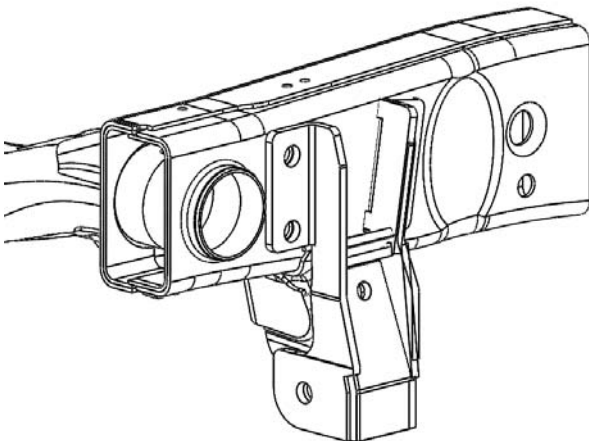
## Installation Instructions

Note: Save all factory components and hardware for reuse, unless noted.

4. With the help of an assistant, remove the four bolts with the use of a 18mm wrench or socket that secure the steering box to the frame rail located just forward of the front driver side coil spring as pictured below.



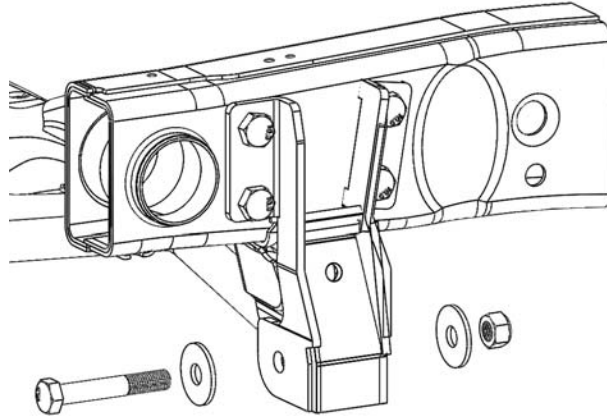
5. Install the supplied Rusty's JL Front Track Bar Frame Brace over the factory track bar mount and align the upper four mounting holes with the four steering box bolt hole locations and reinstall the factory hardware to secure the steering box and brace. Apply Blue Loctite to threads before reinstalling these bolts. (**Note:** Do not fully tighten the four bolts to the steering box at this time, only tighten enough to safely secure the steering box so that your assistant can let go.)



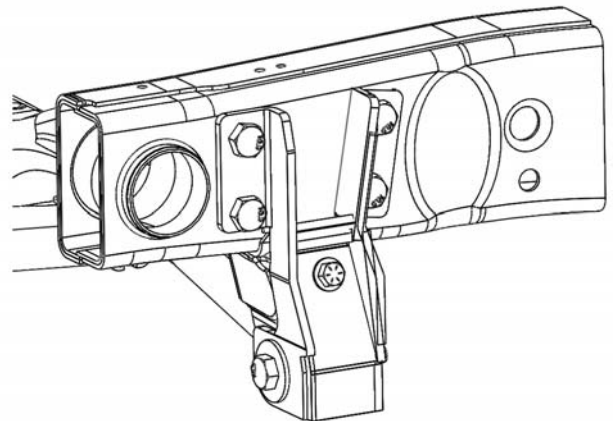
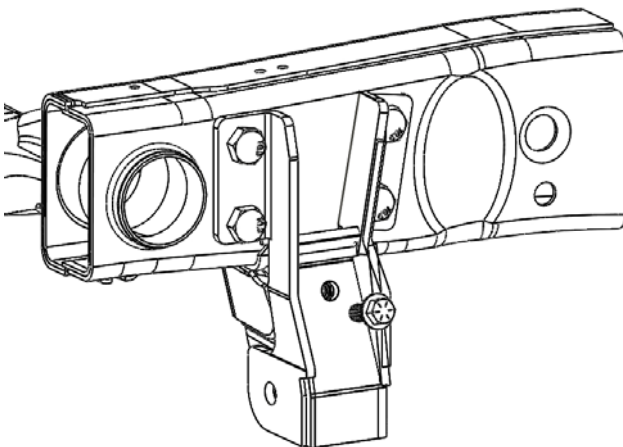
## Installation Instructions

Note: Save all factory components and hardware for reuse, unless noted.

- Reinstall the factory track bar to the frame mounting point and install the supplied (Qty:1) M14 x 2.00mm x 90mm Length Hex Head Cap Screw, (Qty:2) M14 x 28mm O.D. Flat Washer, and (Qty:1) M14 x 2mm Hex Lock Nut to secure the track bar. (**Note:** Do not fully tighten hardware at this time.)



- Install the supplied (Qty:1) 7/16"-14 x 1-1/4" Length Grade 8 Hex Head Cap Screw, (Qty:2) 7/16" SAE Flat Washer, and (Qty:1) 7/16"- 14 Grade 8 Hex Lock Nut to the hole location in the image below. (**Note:** Do not fully tighten hardware at this time.)



## Installation Instructions

Note: Save all factory components and hardware for reuse, unless noted.

8. Tighten the four factory steering box bolts to factory specifications at this time. (Torque: 99 ft-lbs)
9. Tighten the 7/16" hardware installed during step 7 at this time. (Torque: 50 ft-lbs)
10. Tighten the 14mm hardware installed during step 6 at this time. (Torque: 125 ft-lbs)
11. Installation is now complete!

## WARNING

It is the owners' responsibility to inspect all Rusty's products for proper torque specs to prevent loosening of components. Seat belts and shoulder harnesses should be worn at all times. Re-check all bolts and nuts after the first 300 miles and after any off-road usage during the first 300 miles. Although all of our products are made from the highest quality materials possible, they are not a substitute for Safe and Careful driving. In other words, have good safe on-road / off-road sense. Know the terrain, the speed limitations, and any obstacles that may lie ahead. Please remember to preserve our right to enjoy public land through the proper use of off-road vehicles. Thank you for choosing Rusty's Off Road Products.



For Questions or Suggestions, contact our Tech Department (256-442-0607)